

Introduction to Tech-Tool Plastics, Inc.

We produce a full line of replacement windows for Bell, Eurocopter, MD Helicopters, Robinson, Schweizer and Sikorsky helicopters. Our product quality meets or exceeds that of the original manufacturer and at prices that are significantly lower. In addition, we have developed many exclusive specialty windows that are not available from other manufacturers. These windows enhance many helicopter operations and fulfill specific requirements requested by our customers. Our windows are FAA, CAA, LBA and Transport Canada approved.

Unlike other manufacturers, helicopter replacement windows are our only business. We have been established, under the same ownership for over forty years. This history, plus our dedication to quality and our expertise in tooling play an important part in our product. It helps us produce windows that require little or no trimming to provide a perfect fit, reducing installation time and labor and insuring considerable savings for all our customers.

Our reputation has been built on superior quality and a level of service that is beyond compare. We stock a large inventory which allows us to respond promptly and fill most window orders within 24-hours. If you have never used our replacement windows and need a dependable source that can keep your downtime to a minimum, give us a call.

Replacement Windows for the Helicopter World

Table of Contents

| | |
|-----------------------------------------------------|---------------------------------------------------|
| Bell Model 206A, B, L, L1, L3, L42 | Bell Model OH58A, A+, C9 |
| Windshield | Fwd. Door Window w/Vent |
| Skylight | Fwd. Door Window w/Slide |
| Chin Bubble (Blown) | Fwd. Door Wedge Window w/Vent |
| Chin Bubble (Drape) | Fwd. Door Wedge Window w/Slide |
| Chin Bubble w/Frame Assembly | Fwd. Door Window w/Vertical Slide |
| Chin Bubble Window Replacement | Bell Model OH58A, A+, C10 |
| Bell Model 206A, B, L, L1, L3, L43 | Aft Door Window w/Vent |
| Fwd. Door Window w/Slide | Aft Door Window w/Slide |
| Fwd. Door Wedge Window w/Slide | Aft Door Wedge Window w/Vent |
| Fwd. Door Bubble Window | Aft Door Wedge Window w/Slide |
| Fwd. Door Window w/Vertical Slide | Aft Door Window w/Vertical Slide |
| Bell Model 206L, L1, L3, L44 | Bell Model 407.....11 |
| Litter Window | Windshield |
| Litter Wedge Window | Chin Bubble |
| Window Latch/Handle Assembly | Skylight |
| Window Vent Assembly | Skylight (Blown) |
| Bell Model 206A, B, L, L1, L3, L45 | Chin Bubble w/Frame Assembly |
| Aft Door Window w/Slide | Chin Bubble Replacement Only |
| Aft Door Wedge Window w/Slide | Bell Model 407.....12 |
| Aft Door Wedge Window w/Slide and Frame Assembly | Fwd. Door Window w/Slide |
| Aft Door Wedge Window Replacement w/Slide | Fwd. Door Window w/Vent |
| Aft Door Wedge Window w/Vent and Frame Assy. | Mid Cabin Window |
| Aft Door Wedge Window Replacement w/Vent | Aft Door Window w/Slide |
| Bell Model 206A, B, L, L1, L3, L46 | Aft Door Window w/Vent |
| Aft Door Bubble Window w/Vent | Aft Door Camera Window |
| Aft Door Window w/Vertical Slide | Bell Model 407.....13 |
| Aft Door Window w/Horizontal Slide | Fwd. <i>Cabin Comfort</i> Window w/Slide |
| Bell Model OH58A, A+7 | Fwd. <i>Cabin Comfort</i> Window w/Snap Vent |
| Windshield | Fwd. Crew Bubble Window |
| Skylight | Bell Model 407.....14 |
| Chin Bubble | Mid <i>Cabin Comfort</i> Window |
| Chin Bubble (Blown) | Mid Cabin Bulged Window |
| Chin Bubble (Drape) | Bell Model 407.....15 |
| Chin Bubble w/Frame Assembly | Aft <i>Cabin Comfort</i> Door Window w/Slide |
| Chin Bubble Replacement Only | Aft <i>Cabin Comfort</i> Door Camera Window |
| Bell Model OH58C.....8 | Aft <i>Cabin Comfort</i> Door Window w/Slide |
| Windshield | Bell Model 407.....16 |
| Side Windshield | Fwd. High Visibility Door Window w/Vents |
| Skylight | Fwd. High Visibility Door Window w/Vertical Slide |
| Chin Bubble (Blown) | |
| Chin Bubble (Drape) | |
| Chin Bubble w/Frame Assembly | |
| Chin Bubble Replacement Only | |



TECH-TOOL PLASTICS, INC.

7800 Skyline Park Drive • Fort Worth, Texas 76108 • www.tech-tool.com

Table of Contents

| | | | |
|--------------------------------------------------------|----|------------------------------------------------------|----|
| Bell Model 204, 205, 212, 214, 412, UH1 | 17 | Eurocopter Model AS350, 355..... | 24 |
| Crew Bubble Window | | Sliding Door Configuration | |
| Crew Bubble Window Replacement w/Slide | | Aft Sliding Door Window | |
| Jump Door Window | | Aft Sliding Door Window w/Vertical Slide | |
| Cargo Door Window | | Aft Sliding Door <i>Cabin Comfort</i> Window | |
| Military Cargo Door Window | | Aft Sliding Door <i>Cabin Comfort</i> Window w/Slide | |
| Push-out Cargo Door Window | | Eurocopter Model Alouette II/Lama | 25 |
| Bell Model 204, 205, 212, 214, 412, UH1 | 18 | Lower Door Window | |
| Roof Window | | Upper Door Window w/Vent | |
| Windshield | | Upper Door Window w/Slide | |
| Nose Bubble | | Bubble Window | |
| Upper Crew Window | | Eurocopter Model Alouette II/Lama | 26 |
| Fwd. Crew Window | | Lower Fwd. Window | |
| Crew Slide Window | | Windshield | |
| Eurocopter Model AS350, 355..... | 19 | Overhead Window | |
| One-Piece Windshield | | Rear Corner Window | |
| Two-Piece Windshield | | Eurocopter Model BO105A, C, S, LS A-1, | |
| Cover Strip | | LS A-3..... | 27 |
| Eurocopter Model AS350, 355..... | 20 | Windshield | |
| Large Lower Nose Window | | Chin Bubble | |
| Small Lower Nose Window | | Skylight | |
| Overhead Skylight | | Aft Cabin Window | |
| Aft Door Passenger Window | | Eurocopter Model BO105A, C, S, LS A-1, | |
| Aft Door <i>Cabin Comfort</i> Window | | LS A-3..... | 28 |
| Eurocopter Model AS350, 355 | 21 | Fwd. Door Window | |
| Standard Door Configuration | | Fwd. Door Window w/Lower Slide | |
| Fwd. Door Window | | Fwd. Door Window w/Mid Slide | |
| Fwd. Door Window w/Slide | | Fwd. Door Window w/Upper Slide | |
| Lower Door Window | | Aft Door Window | |
| Eurocopter Model AS350, 355..... | 22 | Aft Door Window w/Slide | |
| Standard Door Configuration | | Eurocopter Model BK117A1, A3, A4, B1, B2, C1 | 29 |
| Fwd. <i>Cabin Comfort</i> Window | | Windshield | |
| Fwd. <i>Cabin Comfort</i> Window w/Slide | | Chin Bubble | |
| Reverse Slide Camera Window | | Skylight | |
| Eurocopter Model AS350, 355..... | 23 | Eurocopter Model BK117A1, A3, A4, B1, B2, C1 | 30 |
| Sliding Door Configuration | | Fwd. Door Window w/Slide | |
| Fwd. Door Window (Reduced) | | Fwd. Door Window | |
| Fwd. Door <i>Cabin Comfort</i> Wind. (Reduced) | | Aft Door Window w/Slide | |
| Fwd. Door <i>Cabin Comfort</i> Wind. w/Slide (Reduced) | | Aft Door Window | |
| Fwd. Door Window w/Slide (Reduced) | | Aft Cabin Window w/Slide | |
| Lower Door Window (Reduced) | | Aft Cabin Window | |

Replacement Windows for the Helicopter World

Table of Contents

| | |
|--------------------------------------------------------|---------------------------------------------------|
| Eurocopter Model EC120B31 | Eurocopter Model AS332C, C1, L, L1.....40 |
| Windshield | Cabin Window (Fwd.) |
| Skylight | Cabin Window-interchangeable (Mid) |
| Eurocopter Model EC130B4.....32 | Cabin Window (Aft) |
| Windshield | Lower Nose Window |
| Center Lower Windshield | Eurocopter Model AS365N.....41 |
| Center Upper Windshield | Windshield |
| Skylight | Chin Bubble |
| Eurocopter Model EC120B, EC130B433 | Skylight |
| Right Fwd. Door Window w/Slide | Eurocopter Model AS365N.....42 |
| Right Fwd. Door Window | Fwd. Door Window w/Slide |
| Right Aft Door Window | Fwd. Door Window w/Vents |
| Eurocopter Model EC120B, EC130B434 | Fwd. Lower Door Window |
| Left Fwd. Door Window w/Slide | Mid Door Window |
| Left Fwd. Door Window | Aft Door Window |
| Left Aft Door Window | MD Helicopters Model 500C, D 43 |
| Eurocopter Model EC135P1, P2, P2+, T1, T2, T2+..... 35 | Lower Windshield |
| Windshield | Center Windshield |
| Nose Bubble | Fwd. Canopy |
| Fwd. Door Window w/Slide | Aft Canopy |
| Fwd. Door Window (Snap Vent Optional) | MD Helicopters Model 500E, F, FF, N.....44 |
| Eurocopter Model EC135 P1, P2, P2+, T1, T2, T2+.....36 | Lower Windshield |
| Sliding Door Window (Snap Vent Optional) | Center Windshield |
| Sliding Door Window w/Slide | Fwd. Canopy |
| Reverse Slide Camera Window | Lower Center Windshield |
| Aft Side Window | MD Helicopters Model 500C, D, E, F, |
| Clamshell Window | FF, OH645 |
| Eurocopter Model BK117 C-2 (EC145).....37 | Fwd. Door Window w/Vent |
| Windshield | Fwd. Door Window w/Slide |
| Nose Bubble | Fwd. Logging Bubble |
| Forward Door Window w/Slide | Fwd. <i>Cabin Comfort</i> Window w/Vent |
| Forward Door Window (Snap Vent Optional) | Fwd. <i>Cabin Comfort</i> Window w/Slide |
| Eurocopter Model BK117 C-2 (EC145)..... 38 | Fwd. <i>Cabin Comfort</i> Window w/Vertical Slide |
| Mid Cabin Window (Snap Vents Optional) | MD Helicopters Model 500C, D, E, F, FF, |
| Mid Cabin Window w/Slide | 500N, 600N, OH646 |
| Mid Cabin Window (Rubber Mount) | Fwd. Door Window w/Vent |
| Aft Cabin Window | Fwd. Door Window w/Slide |
| Clamshell Window | Fwd. <i>Cabin Comfort</i> Window w/Vent |
| Eurocopter Model BK117 C-2 (EC145)..... 39 | Fwd. <i>Cabin Comfort</i> Window w/Slide |
| Sliding Door Window (Snap Vents Optional) | Fwd. <i>Cabin Comfort</i> Window w/Vertical Slide |
| Sliding Door Window w/Slide | |
| Sliding Door Window w/Large Slide | |
| Sliding Door Reverse Slide Camera Window | |



Table of Contents

| | | | |
|------------------------------------------------------------------|----|-----------------------------------------------------------|----|
| MD Helicopters Model 500C, D, E, F, FF..... | 47 | Robinson R44..... | 52 |
| Aft Door Window w/Vents | | Fwd. Full View Door Assembly w/Vents | |
| Aft Door Window w/Slide | | Fwd. Full View Door Assembly w/Slide | |
| Aft Door <i>Cabin Comfort</i> Window w/Vents | | Fwd. Full View Door Assembly w/Vertical Slide | |
| Aft Door <i>Cabin Comfort</i> Window w/Slide | | Fwd. Full View <i>Cabin Comfort</i> Door Assembly w/Vents | |
| Aft Door <i>Cabin Comfort</i> Window w/Vertical Slide | | Fwd. Full View <i>Cabin Comfort</i> Door Assembly w/Slide | |
| Aft Logging Bubble | | Fwd. Replacement Door Window w/Vents | |
| MD Helicopters Model 500C, D, E, F, FF, 500N, 600N | 48 | Fwd. Replacement Door Window w/Slide | |
| Aft Door Window w/Vents | | Fwd. Replacement Door Window w/Vertical Slide | |
| Aft Door Window w/Slide | | Fwd. Replacement <i>Cabin Comfort</i> Door Window w/Vents | |
| Aft Door <i>Cabin Comfort</i> Window w/Vents | | Fwd. Replacement <i>Cabin Comfort</i> Door w/Slide | |
| Aft Door <i>Cabin Comfort</i> Window w/Slide | | Robinson R44..... | 53 |
| Aft Door <i>Cabin Comfort</i> Window w/Vertical Slide | | Aft Full View Door Assembly w/Vents | |
| MD Helicopters Model 600N | 49 | Aft Full View Door Assembly w/Slide | |
| Mid Cabin Window w/Vents | | Aft Full View Door Assembly w/Vertical Slide | |
| Mid <i>Cabin Comfort</i> Window w/Vents | | Aft Full View <i>Cabin Comfort</i> Door Assembly w/Vents | |
| Mid <i>Cabin Comfort</i> Window w/Vertical Slide | | Aft Full View <i>Cabin Comfort</i> Door Assembly w/Slide | |
| Lower Windshield | | Aft Replacement Door Window w/Vents | |
| Center Windshield | | Aft Replacement Door Window w/Slide | |
| Fwd. Canopy | | Aft Replacement Door Window w/Vertical Slide | |
| MD Helicopters Model OH6 | 50 | Aft Replacement <i>Cabin Comfort</i> Door Window w/Vents | |
| Lower Windshield | | Aft Replacement <i>Cabin Comfort</i> Door w/Slide | |
| Center Windshield | | Schweizer Model 269, 300, TH55A..... | 54 |
| Fwd. Canopy | | Lower Windshield | |
| Aft Canopy | | Windshield | |
| Aft Door Window w/Vent | | Door Window w/Vents | |
| Robinson Model R22 | 51 | Door Window w/Slide | |
| Windshield | | Overhead Canopy | |
| Full View <i>Cabin Comfort</i> Door Assembly w/Vents | | Sikorsky Model S76..... | 55 |
| Full View <i>Cabin Comfort</i> Door Assembly w/Vertical Slide | | Windshield | |
| Replacement Door Window w/Vents | | | |
| Replacement Door Window w/Vertical Slide | | | |

Replacement Windows for the Helicopter World

In the Table of Contents, locate the helicopter manufacturer's name (they are in alphabetical order) and model number (see example). The page number listed in the Table of Contents shows where this aircraft's windows are located within the catalog. Catalog Page Numbers are located on the top right and left margins to help you locate the desired product quickly.

Example: Bell Model 206A, B, L, L1, L3, L4.....2

Depending upon the helicopter, several catalog pages may be devoted to windows for various models of the same aircraft. Windows listed in the Table of Contents cover basic helicopter window configurations. Names in the Table of Contents will lead you to the page where detailed window information can be found.

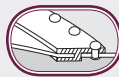
On individual catalog pages, the window name, part number and the OEM number it replaces, if available, are listed. (Some Tech-Tool windows are new designs that have no previous OEM number.)

In addition, each catalog page provides a line drawing of the helicopter configuration, or a portion that gives the general location of the desired window. In most cases, window options for each of the locations have been illustrated, or referenced elsewhere.

In a few minutes, a user should be able to identify, locate and be ready to order virtually any helicopter replacement window.

NOTE: At Tech-Tool, new additions to our quality line of helicopter replacement windows are continually being developed. If your specific window is not listed, call Customer Service for a list of new windows that have been added since this catalog's publication. Our toll-free number appears at the bottom of every right hand page.

**PLEASE NOTE
THE FOLLOWING SYMBOLS!**



**RIVET
MOUNT**



**QUICK-CHANGE
RUBBER MOUNT**

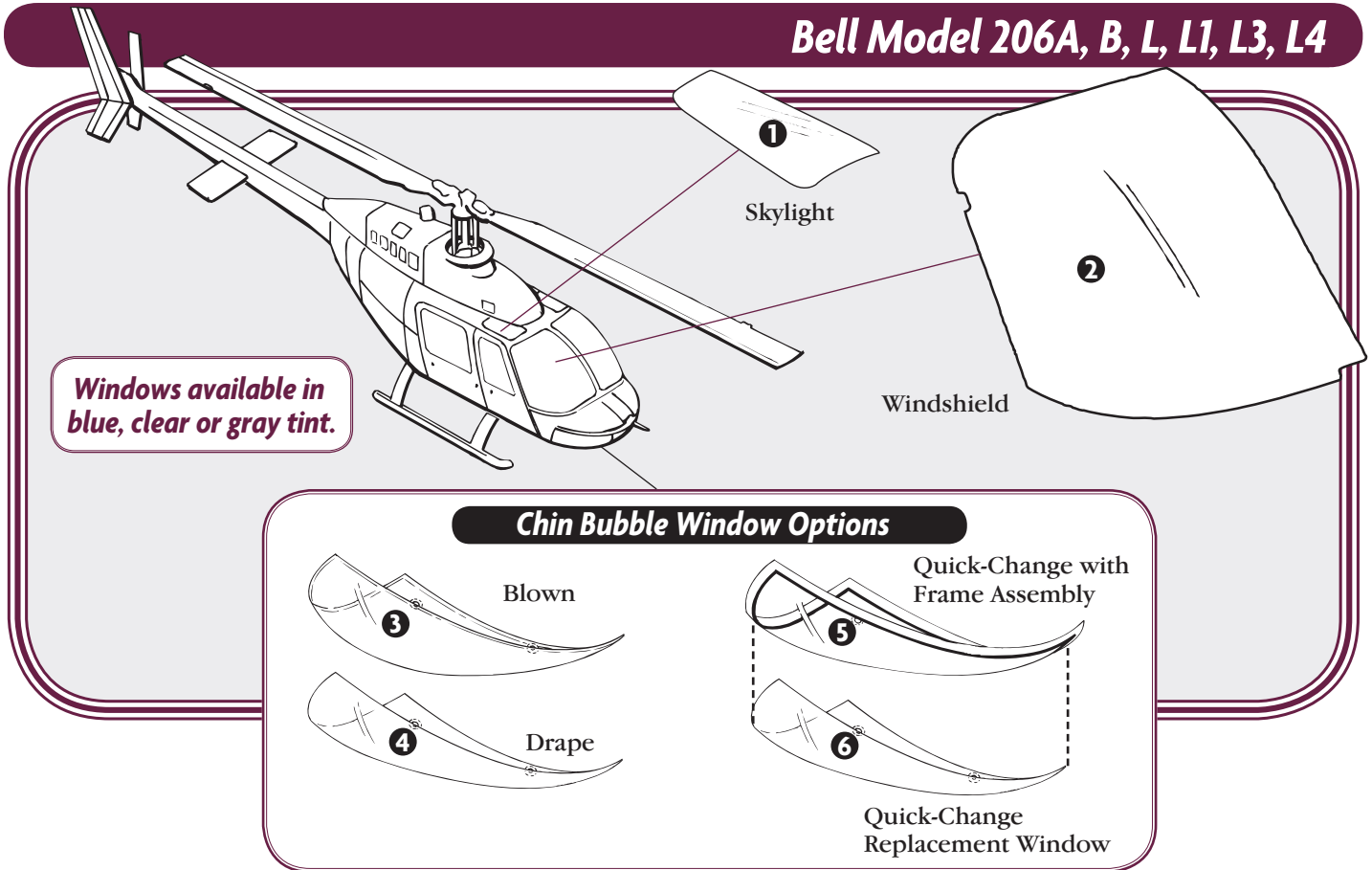
***These symbols apply to the method
of installation required for the windows
listed under the specific symbol.***



TECH-TOOL PLASTICS, INC.

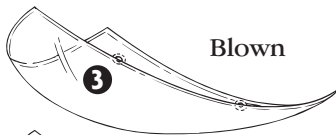
7800 Skyline Park Drive • Fort Worth, Texas 76108 • www.tech-tool.com

Bell Model 206A, B, L, L1, L3, L4

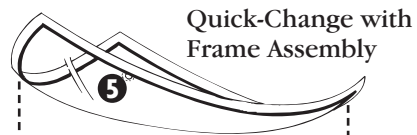


Windows available in blue, clear or gray tint.

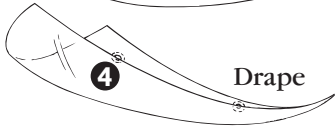
Chin Bubble Window Options



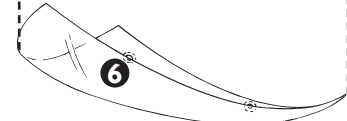
Blown



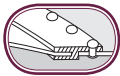
Quick-Change with Frame Assembly



Drape



Quick-Change Replacement Window



RIVET MOUNT



QUICK-CHANGE RUBBER MOUNT

1 Windshield

| Part Number | | Replaces OEM No. |
|-------------|-----|----------------------|
| 206B-1001-1 | L/H | 206-031-115-31,33 |
| 206B-1001-2 | R/H | 206-031-115-7,11,105 |

2 Skylight

| Part Number | | Replaces OEM No. |
|-------------|-----|-------------------|
| 206B-1003-1 | L/H | 206-031-108-27,33 |
| 206B-1003-2 | R/H | 206-031-108-28,34 |

3 Chin Bubble (Blown)

| Part Number | | Replaces OEM No. |
|-------------|-----|---------------------|
| 206B-1002-6 | R/H | 206-031-116-103,111 |

4 Chin Bubble (Drape)

| Part Number | | Replaces OEM No. |
|-------------|-----|------------------|
| 206B-1002-1 | L/H | 206-031-116-39 |
| 206B-1002-2 | R/H | 206-031-116-41 |

5 Chin Bubble with Frame Assembly

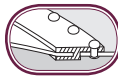
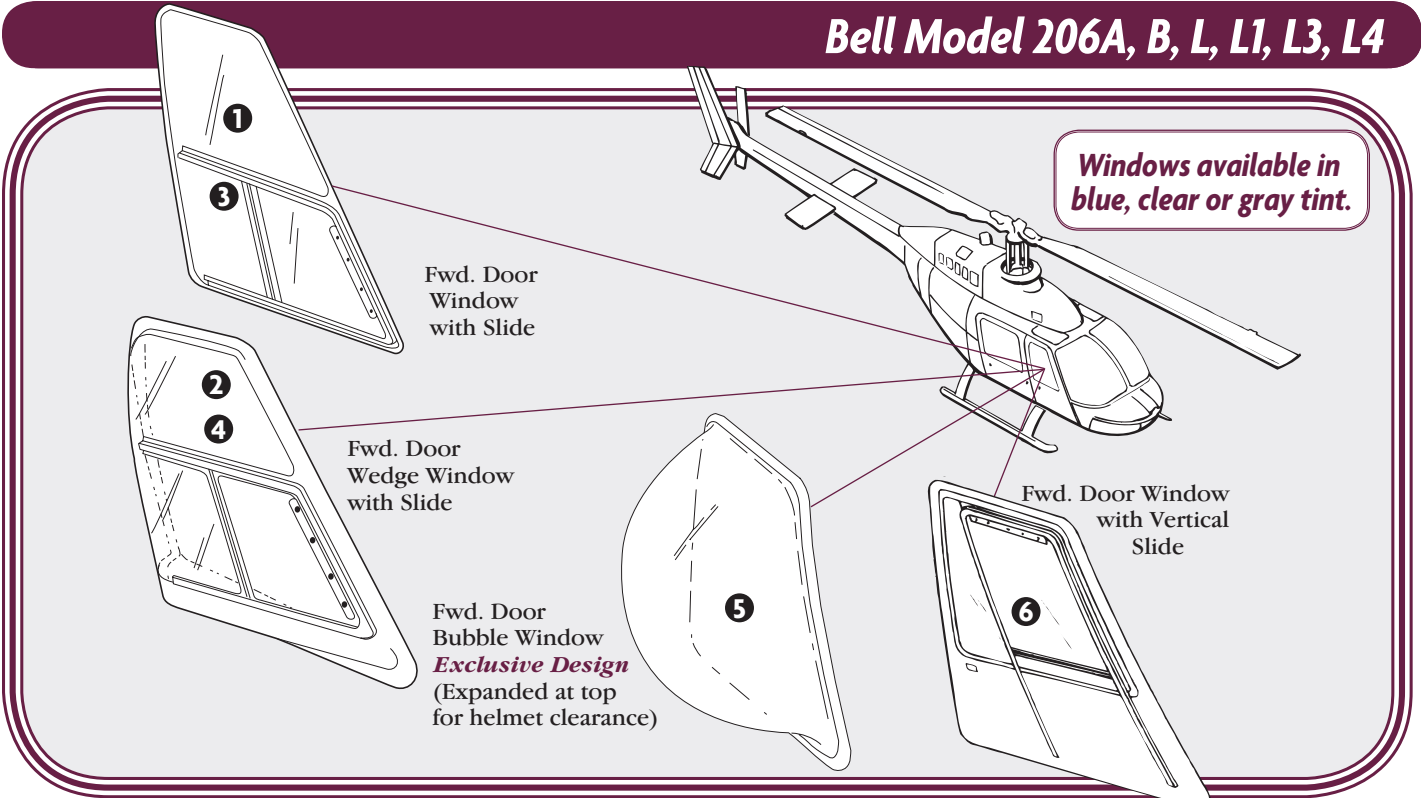
| Part Number | | Replaces OEM No. |
|---------------|-----|------------------|
| 206-QC-1002-1 | L/H | Tech-Tool Design |
| 206-QC-1002-2 | R/H | |

6 Chin Bubble Replacement Only

| Part Number | | Replaces OEM No. |
|---------------|-----|------------------|
| 206-QC-1002-5 | L/H | Tech-Tool Design |
| 206-QC-1002-6 | R/H | |

Replacement Windows for the Helicopter World

Bell Model 206A, B, L, L1, L3, L4



RIVET MOUNT



QUICK-CHANGE RUBBER MOUNT

1 Fwd. Door Window with Slide

| Part Number | | Replaces OEM No. |
|-------------|-----|-------------------------|
| 206B-1004-1 | L/H | 206-031-500-101,147,149 |
| 206B-1004-2 | R/H | 206-031-500-102,148,150 |
| 206L-1004-1 | L/H | 206-033-600-5,117 |
| 206L-1004-2 | R/H | 206-033-600-6,118 |

3 Fwd. Door Window with Slide

| Part Number | | Replaces OEM No. |
|----------------|-----|------------------|
| 206L-QC-1004-1 | L/H | 206-033-600-127 |
| 206L-QC-1004-2 | R/H | 206-033-600-128 |

2 Fwd. Door Wedge Window with Slide

| Part Number | | Replaces OEM No. |
|--------------|-----|------------------|
| 206BW-1004-1 | L/H | Tech-Tool Design |
| 206BW-1004-2 | R/H | |
| 206LW-1004-1 | L/H | |
| 206LW-1004-2 | R/H | |

4 Fwd. Door Wedge Window with Slide

| Part Number | | Replaces OEM No. |
|--------------|-----|------------------|
| 206BW-1004-5 | L/H | 206-033-677-101 |
| 206BW-1004-6 | R/H | 206-033-677-102 |
| 206LW-1004-5 | L/H | 206-033-676-101 |
| 206LW-1004-6 | R/H | 206-033-676-102 |

5 Fwd. Door Bubble Window

| Part Number | | Replaces OEM No. |
|-------------|-----|------------------|
| 206B-1010-1 | L/H | Tech-Tool Design |
| 206B-1010-2 | R/H | |
| 206L-1010-1 | L/H | |
| 206L-1010-2 | R/H | |

6 Fwd. Door Window with Vertical Slide

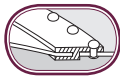
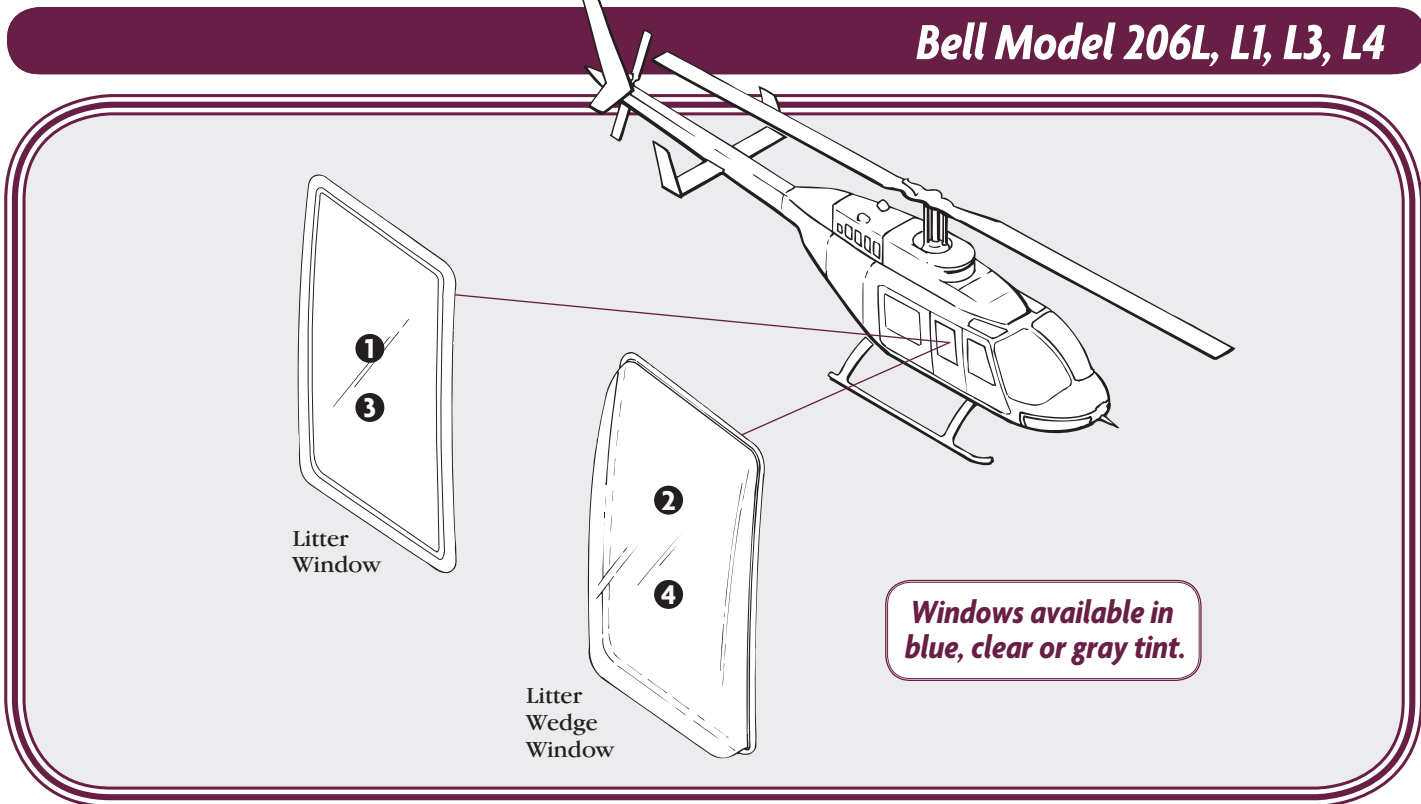
| Part Number | | Replaces OEM No. |
|-------------|-----|------------------|
| 206B-1012-1 | L/H | Tech-Tool Design |
| 206B-1012-2 | R/H | |
| 206L-1012-1 | L/H | |
| 206L-1012-2 | R/H | |



TECH-TOOL PLASTICS, INC.

7800 Skyline Park Drive • Fort Worth, Texas 76108 • www.tech-tool.com

Bell Model 206L, L1, L3, L4



RIVET MOUNT



QUICK-CHANGE RUBBER MOUNT

1 Litter Window

| Part Number | | Replaces OEM No. |
|-------------|-----|------------------|
| 206L-1007-1 | L/H | 206-033-602-1 |
| 206L-1007-2 | R/H | 206-033-115-011 |

3 Litter Window

| Part Number | | Replaces OEM No. |
|----------------|-----|---------------------|
| 206L-QC-1007-1 | L/H | 206-033-602-267 |
| 206L-QC-1007-2 | R/H | 206-033-115-165,173 |

2 Litter Wedge Window

| Part Number | | Replaces OEM No. |
|--------------|-----|------------------|
| 206LW-1007-1 | L/H | Tech-Tool Design |
| 206LW-1007-2 | R/H | |

4 Litter Wedge Window

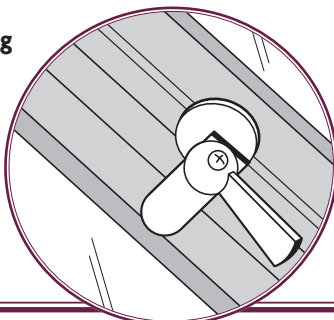
| Part Number | | Replaces OEM No. |
|-----------------|-----|------------------|
| 206LW-QC-1007-1 | L/H | Tech-Tool Design |
| 206LW-QC-1007-2 | R/H | |

Window Accessories

Window Latch/Handle Assembly

| Part Number | Applicable Models |
|-----------------------|------------------------|
| TTPH-1 L/H (Fwd./Aft) | 206A, B, L, L1, L3, L4 |
| TTPH-2 R/H (Fwd./Aft) | 206A, B, L, L1, L3, L4 |

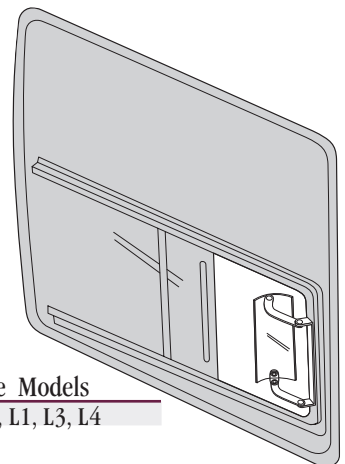
Latch keeps sliding windows from blowing open during flight and reduces pilferage when helicopter is unattended.



Tech-Tool Vent Assemblies provide an efficient, cost effective method to control outside air flow for cabin ventilation and cooling.

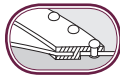
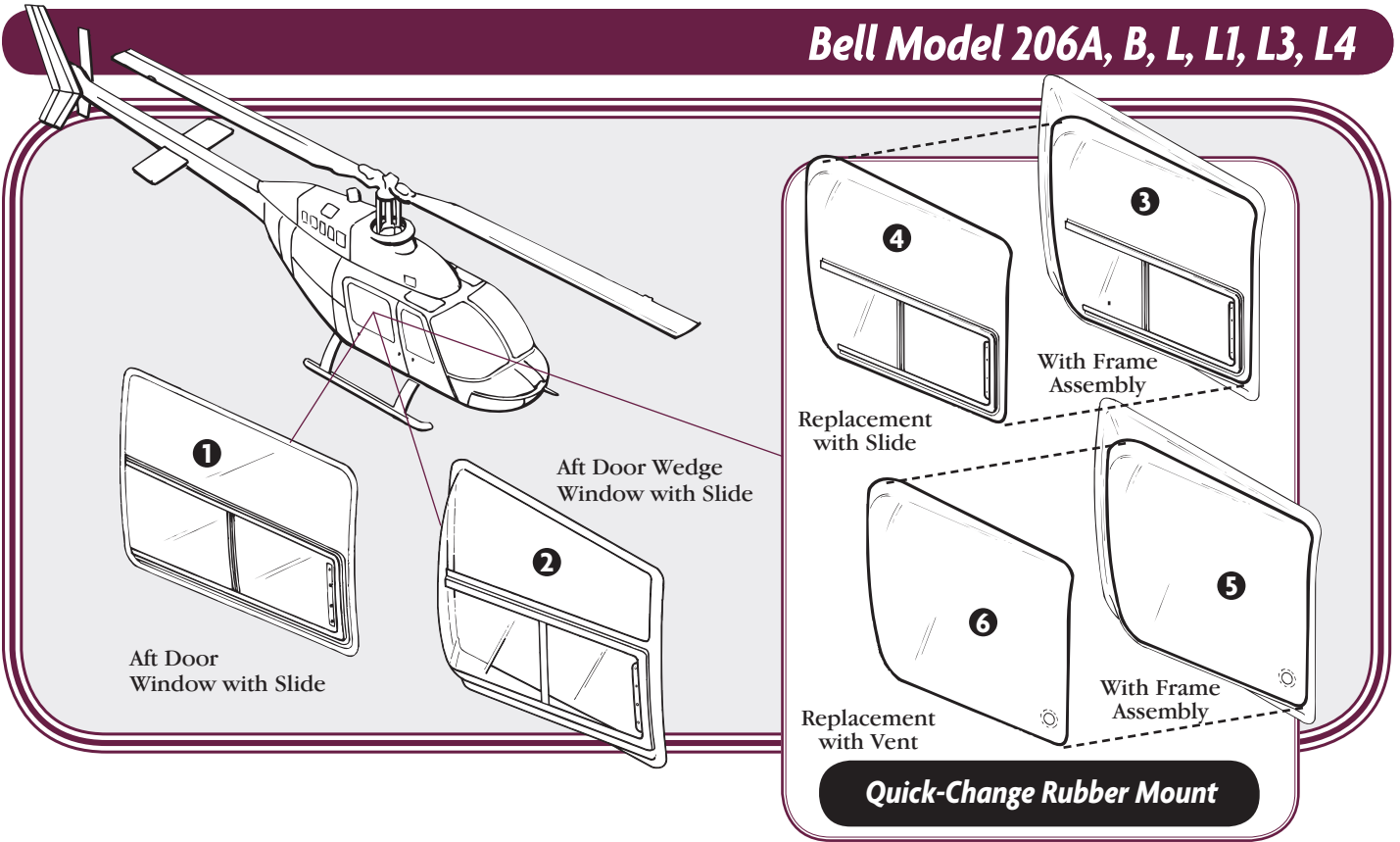
Window Vent Assembly (fits Fwd. and Aft)

| Part Number | Applicable Models |
|-------------|------------------------|
| TTPV-1 | 206A, B, L, L1, L3, L4 |



Replacement Windows for the Helicopter World

Bell Model 206A, B, L, L1, L3, L4



RIVET MOUNT



QUICK-CHANGE RUBBER MOUNT

1 Aft Door Window with Slide

| Part Number | | Replaces OEM No. |
|-------------|-----|--------------------|
| 206B-1005-1 | L/H | 206-031-501-85,129 |
| 206B-1005-2 | R/H | 206-031-501-86,130 |
| 206L-1005-1 | L/H | 206-033-601-9 |
| 206L-1005-2 | R/H | 206-033-601-10 |

3 Aft Door Wedge Window w/Slide and Frame Assy.

| Part Number | | Replaces OEM No. |
|-----------------|-----|------------------|
| 206BW-QC-1006-1 | L/H | 206-033-678-101 |
| 206BW-QC-1006-2 | R/H | 206-033-678-102 |
| 206LW-QC-1006-1 | L/H | 206-333-001-101 |
| 206LW-QC-1006-2 | R/H | 206-333-001-102 |

2 Aft Door Wedge Window with Slide

| Part Number | | Replaces OEM No. | Model No. |
|-------------|-----|------------------|--------------|
| 206W-1006-1 | L/H | 206-031-625-101 | 206A, B |
| 206W-1006-2 | R/H | 206-031-625-102 | 206A, B |
| 206W-1006-3 | L/H | 206-033-663-101 | 206L, L1, L3 |
| 206W-1006-4 | R/H | 206-033-663-102 | 206L, L1, L3 |

4 Aft Door Wedge Window Replacement w/Slide

| Part Number | | Replaces OEM No. |
|-----------------|-----|------------------|
| 206BW-QC-1006-7 | L/H | 206-333-001-103 |
| 206BW-QC-1006-8 | R/H | 206-333-001-104 |
| 206LW-QC-1006-7 | L/H | 206-333-001-103 |
| 206LW-QC-1006-8 | R/H | 206-333-001-104 |

Windows available in blue, clear or gray tint.

5 Aft Door Wedge Window w/Vent and Frame Assy.

| Part Number | | Replaces OEM No. |
|-----------------|-----|------------------|
| 206BW-QC-1006-3 | L/H | Tech-Tool Design |
| 206BW-QC-1006-4 | R/H | |
| 206LW-QC-1006-3 | L/H | |
| 206LW-QC-1006-4 | R/H | |

6 Aft Door Wedge Window Replacement w/Vent

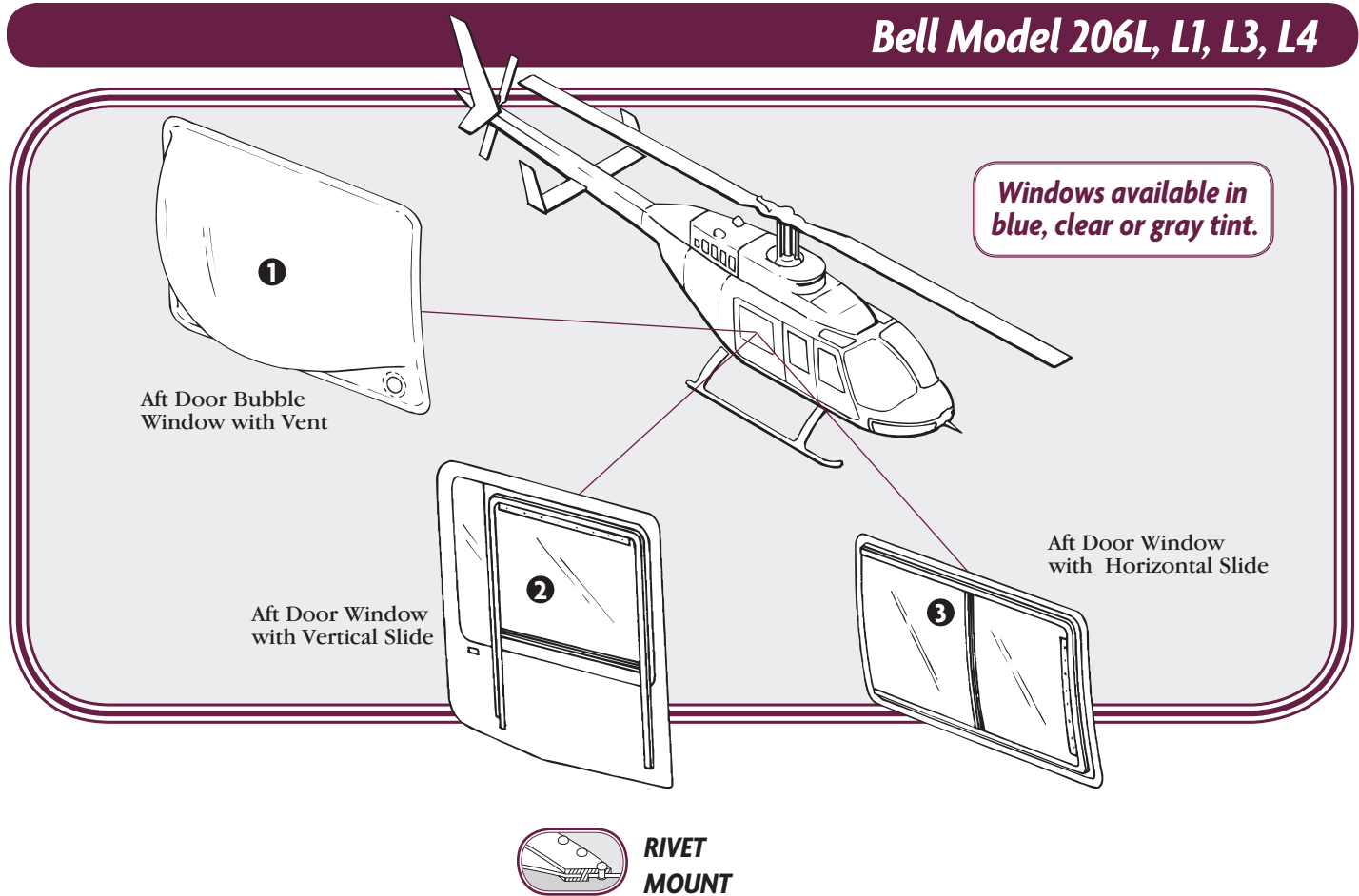
| Part Number | | Replaces OEM No. |
|-----------------|-----|------------------|
| 206BW-QC-1006-5 | L/H | Tech-Tool Design |
| 206BW-QC-1006-6 | R/H | |
| 206LW-QC-1006-5 | L/H | |
| 206LW-QC-1006-6 | R/H | |



TECH-TOOL PLASTICS, INC.

7800 Skyline Park Drive • Fort Worth, Texas 76108 • www.tech-tool.com

Bell Model 206L, L1, L3, L4



1 Aft Door Bubble Window with Vent

| Part Number | Replaces OEM No. |
|-----------------|------------------|
| 206B-1011-1 L/H | Tech-Tool Design |
| 206B-1011-2 R/H | |
| 206L-1011-1 L/H | |
| 206L-1011-2 R/H | |

2 Aft Door Window with Vertical Slide

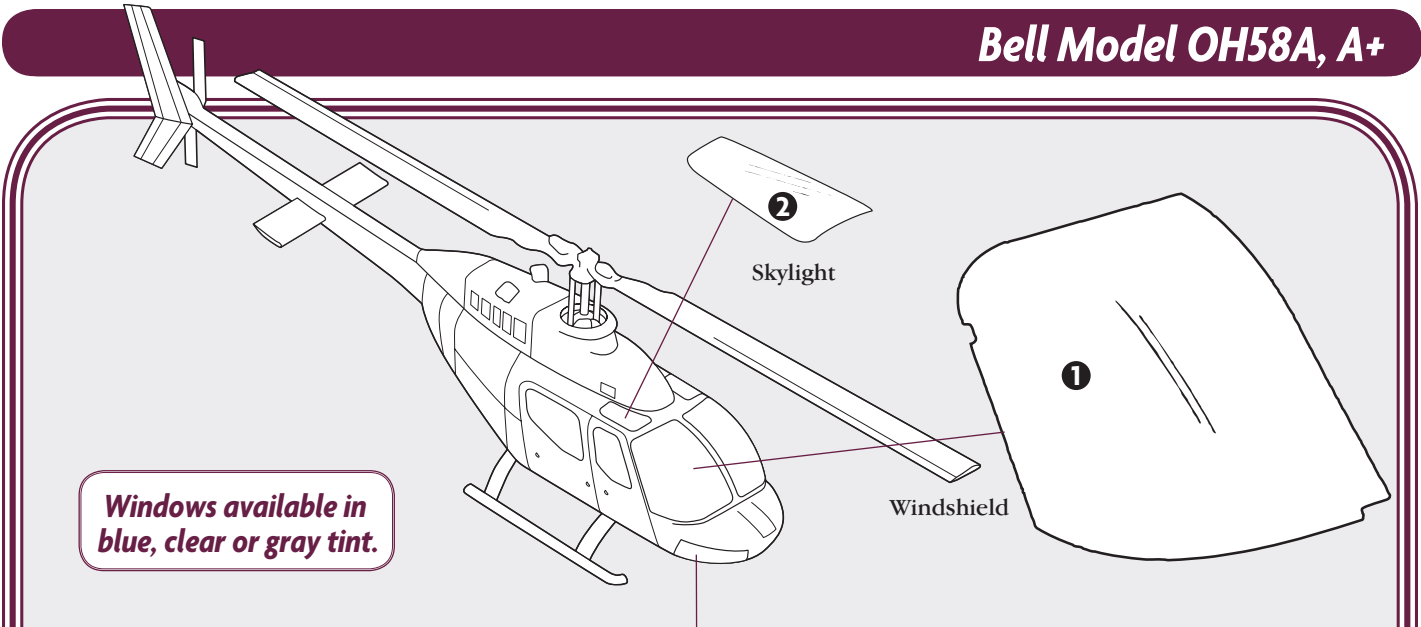
| Part Number | Replaces OEM No. |
|-----------------|------------------|
| 206B-1008-1 L/H | Tech-Tool Design |
| 206B-1008-2 R/H | |
| 206L-1008-1 L/H | |
| 206L-1008-2 R/H | |

3 Aft Door Window with Horizontal Slide

| Part Number | Replaces OEM No. |
|-----------------|------------------|
| 206B-1009-1 L/H | Tech-Tool Design |
| 206B-1009-2 R/H | |
| 206L-1009-1 L/H | |
| 206L-1009-2 R/H | |

Replacement Windows for the Helicopter World

Bell Model OH58A, A+



Windows available in blue, clear or gray tint.

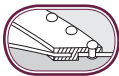
Chin Bubble Window Options

Blown

Drape

Quick-Change with Frame Assembly

Quick-Change Replacement Window



RIVET MOUNT



QUICK-CHANGE RUBBER MOUNT

1 Windshield

| Part Number | Replaces OEM No. |
|---------------------|--------------------|
| 206B-1001-10H58 L/H | 206-032-115-15,115 |
| 206B-1001-20H58 R/H | 206-032-115-3 |

5 Chin Bubble with Frame Assembly

| Part Number | Replaces OEM No. |
|-------------------|------------------|
| 206-QC-1002-1 L/H | Tech-Tool Design |
| 206-QC-1002-2 R/H | |

2 Skylight

| Part Number | Replaces OEM No. |
|-----------------|----------------------|
| 206B-1003-1 L/H | 206-031-108-25,27,33 |
| 206B-1003-2 R/H | 206-031-108-26,28,34 |

6 Chin Bubble Replacement Only

| Part Number | Replaces OEM No. |
|-------------------|------------------|
| 206-QC-1002-5 L/H | Tech-Tool Design |
| 206-QC-1002-6 R/H | |

3 Chin Bubble (Blown)

| Part Number | Replaces OEM No. |
|-----------------|-------------------|
| 206B-1002-5 L/H | 206-032-116-5,105 |
| 206B-1002-6 R/H | 206-032-116-7,107 |

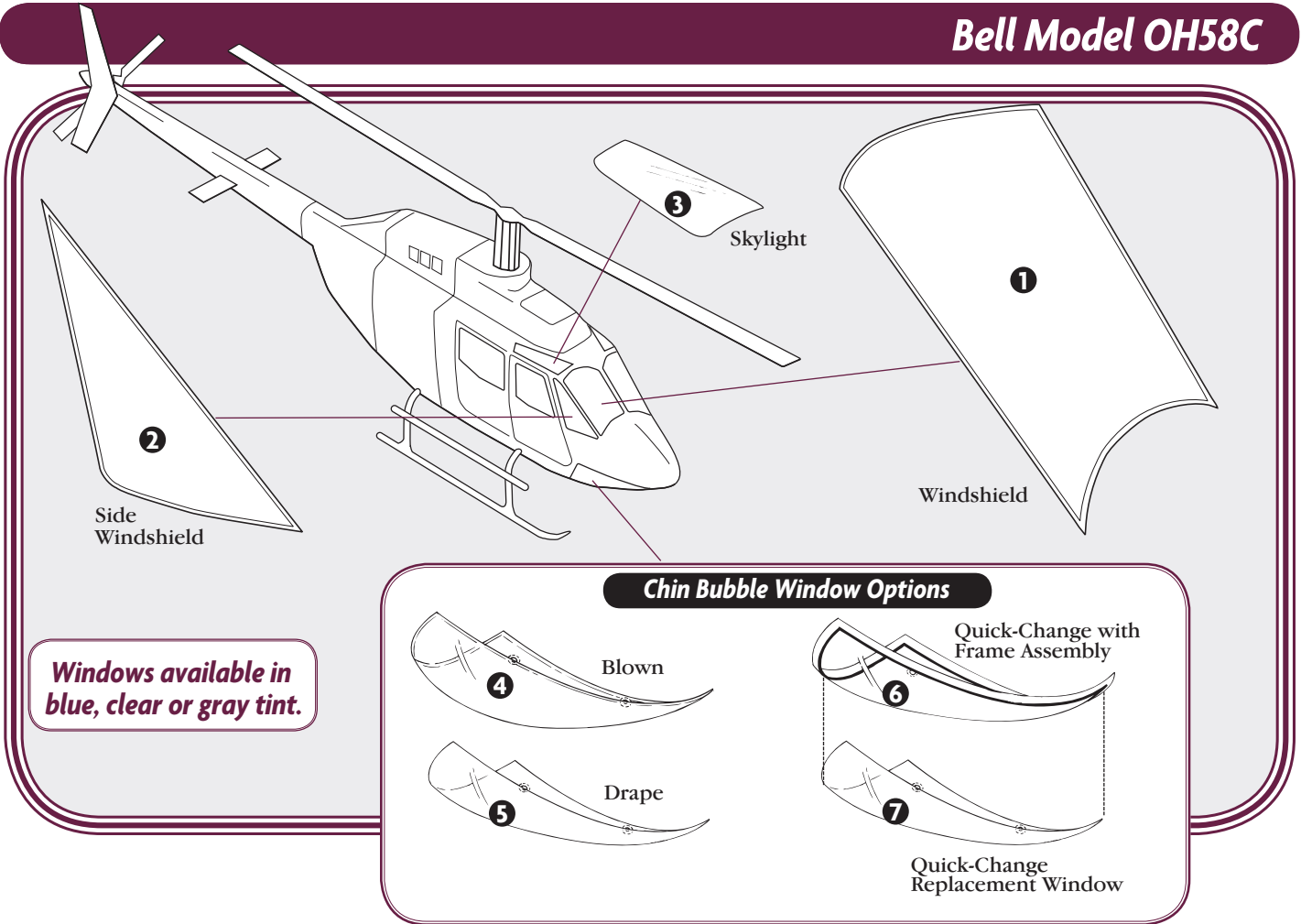
4 Chin Bubble (Drape)

| Part Number | Replaces OEM No. |
|-----------------|-------------------|
| 206B-1002-1 L/H | 206-032-116-5,105 |
| 206B-1002-2 R/H | 206-032-116-7,107 |



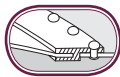
TECH-TOOL PLASTICS, INC.

Bell Model OH58C



Windows available in blue, clear or gray tint.

Chin Bubble Window Options



RIVET MOUNT



QUICK-CHANGE RUBBER MOUNT

1 Windshield

| Part Number | Replaces OEM No. |
|------------------|------------------|
| OH58C-1001-1 L/H | 206-032-489-101 |
| OH58C-1001-2 R/H | 206-032-489-105 |

2 Side Windshield

| Part Number | Replaces OEM No. |
|------------------|------------------|
| OH58C-1001-3 L/H | 206-032-489-109 |
| OH58C-1001-4 R/H | 206-032-489-109 |

3 Skylight

| Part Number | Replaces OEM No. |
|------------------|------------------|
| OH58C-1003-1 L/H | 206-032-491-001 |
| OH58C-1003-2 R/H | 206-032-491-002 |

4 Chin Bubble (Blown)

| Part Number | Replaces OEM No. |
|-----------------|-------------------|
| 206B-1002-5 L/H | 206-032-116-5,105 |
| 206B-1002-6 R/H | 206-032-116-7,107 |

5 Chin Bubble (Drape)

| Part Number | Replaces OEM No. |
|-----------------|-------------------|
| 206B-1002-1 L/H | 206-032-116-5,105 |
| 206B-1002-2 R/H | 206-032-116-7,107 |

6 Chin Bubble with Frame Assembly

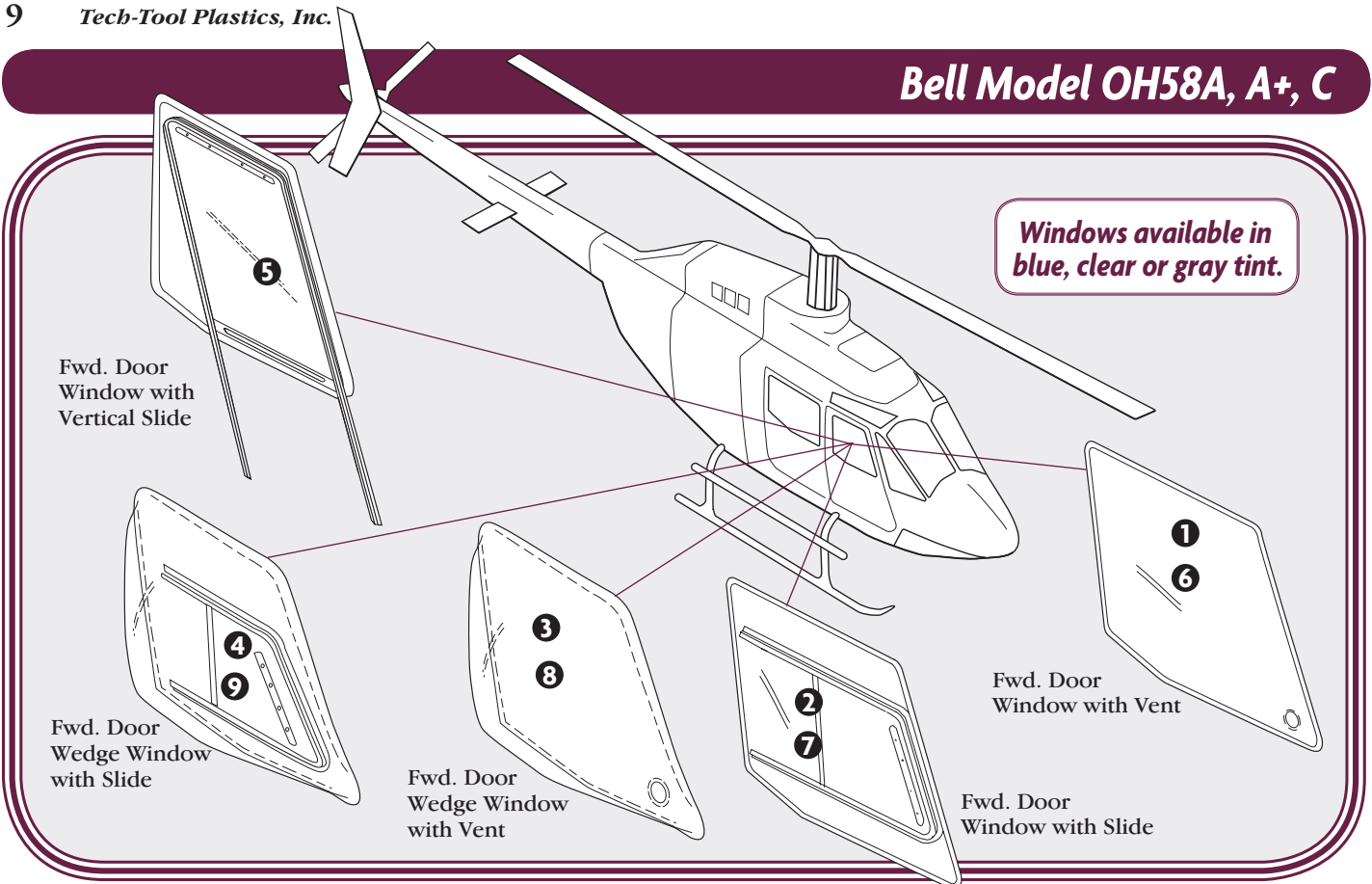
| Part Number | Replaces OEM No. |
|-------------------|------------------|
| 206-QC-1002-1 L/H | Tech-Tool Design |
| 206-QC-1002-2 R/H | |

7 Chin Bubble Replacement Only

| Part Number | Replaces OEM No. |
|-------------------|------------------|
| 206-QC-1002-5 L/H | Tech-Tool Design |
| 206-QC-1002-6 R/H | |

Replacement Windows for the Helicopter World

Bell Model OH58A, A+, C



Windows available in blue, clear or gray tint.

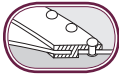
Fwd. Door Window with Vertical Slide

Fwd. Door Wedge Window with Slide

Fwd. Door Wedge Window with Vent

Fwd. Door Window with Vent

Fwd. Door Window with Slide



RIVET MOUNT



QUICK-CHANGE RUBBER MOUNT

1 Fwd. Door Window with Vent

| Part Number | Replaces OEM No. |
|-----------------|--------------------|
| OH58-1004-1 L/H | 206-032-500-19,141 |
| OH58-1004-2 R/H | 206-032-500-20,142 |

6 Fwd. Door Window with Vent

| Part Number | Replaces OEM No. |
|------------------|--------------------|
| OH58-1004-41 L/H | 206-032-500-19,141 |
| OH58-1004-42 R/H | 206-032-500-20,142 |

2 Fwd. Door Window with Slide

| Part Number | Replaces OEM No. |
|-----------------|--------------------|
| OH58-1004-3 L/H | 206-032-500-19,141 |
| OH58-1004-4 R/H | 206-032-500-20,142 |

7 Fwd. Door Window with Slide

| Part Number | Replaces OEM No. |
|------------------|--------------------|
| OH58-1004-43 L/H | 206-032-500-19,141 |
| OH58-1004-44 R/H | 206-032-500-20,142 |

3 Fwd. Door Wedge Window with Vent

| Part Number | Replaces OEM No. |
|------------------|--------------------|
| OH58W-1004-1 L/H | 206-032-500-19,141 |
| OH58W-1004-2 R/H | 206-032-500-20,142 |

8 Fwd. Door Wedge Window with Vent

| Part Number | Replaces OEM No. |
|-------------------|--------------------|
| OH58W-1004-41 L/H | 206-032-500-19,141 |
| OH58W-1004-42 R/H | 206-032-500-20,142 |

4 Fwd. Door Wedge Window with Slide

| Part Number | Replaces OEM No. |
|------------------|--------------------|
| OH58W-1004-3 L/H | 206-032-500-19,141 |
| OH58W-1004-4 R/H | 206-032-500-20,142 |

9 Fwd. Door Wedge Window with Slide

| Part Number | Replaces OEM No. |
|-------------------|--------------------|
| OH58W-1004-43 L/H | 206-032-500-19,141 |
| OH58W-1004-44 R/H | 206-032-500-20,142 |

5 Fwd. Door Window with Vertical Slide

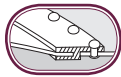
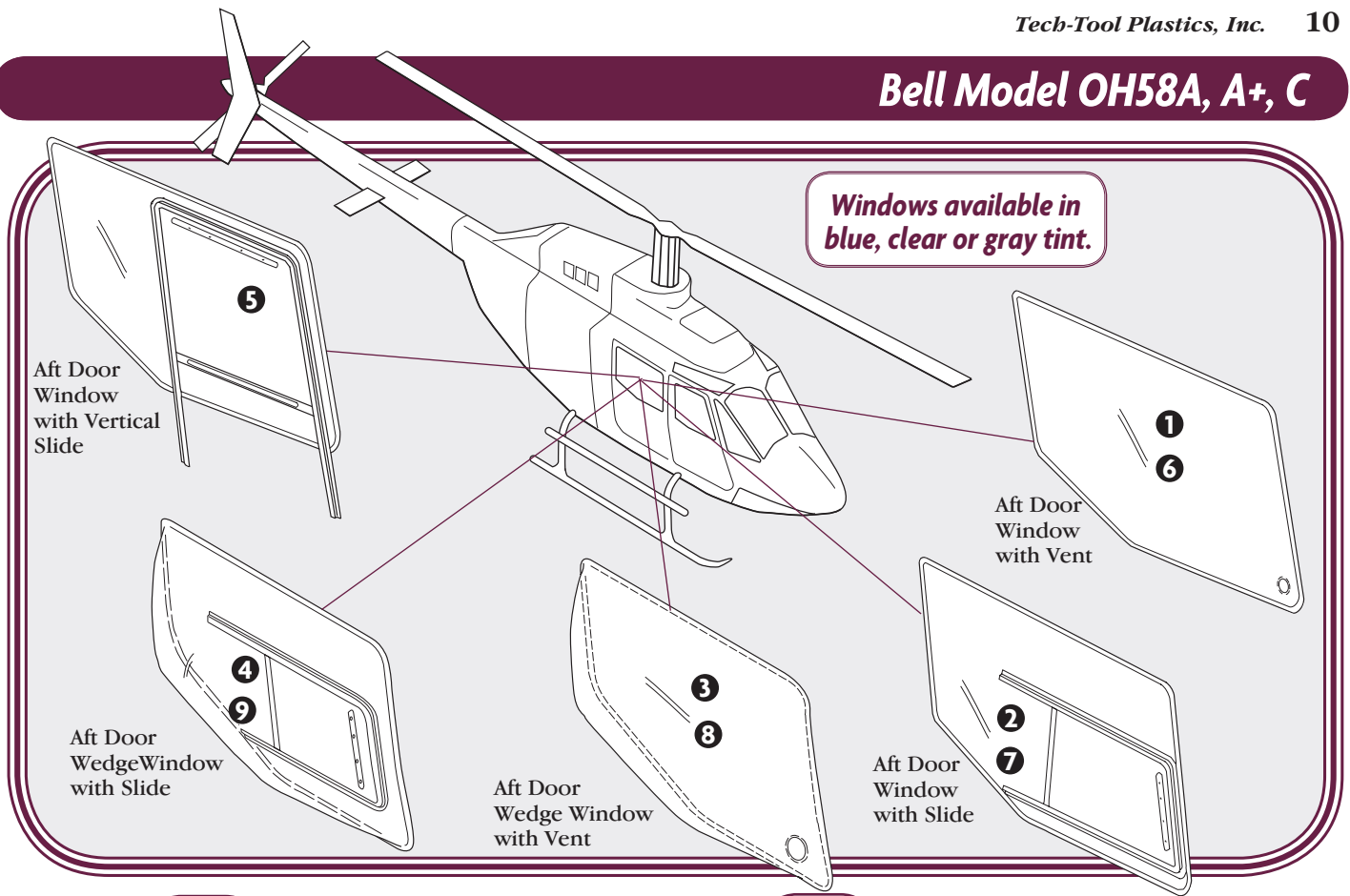
| Part Number | Replaces OEM No. |
|------------------|--------------------|
| OH58-1004-23 L/H | 206-032-500-19,141 |
| OH58-1004-24 R/H | 206-032-500-20,142 |



TECH-TOOL PLASTICS, INC.

7800 Skyline Park Drive • Fort Worth, Texas 76108 • www.tech-tool.com

Bell Model OH58A, A+, C



RIVET MOUNT



QUICK-CHANGE RUBBER MOUNT

1 Aft Door Window with Vent

| Part Number | Replaces OEM No. |
|-----------------|------------------|
| OH58-1005-1 L/H | 206-032-501-19 |
| OH58-1005-2 R/H | 206-032-501-20 |

6 Aft Door Window with Vent

| Part Number | Replaces OEM No. |
|------------------|------------------|
| OH58-1005-41 L/H | 206-032-501-19 |
| OH58-1005-42 R/H | 206-032-501-20 |

2 Aft Door Window with Slide

| Part Number | Replaces OEM No. |
|-----------------|------------------|
| OH58-1005-3 L/H | 206-032-501-19 |
| OH58-1005-4 R/H | 206-032-501-20 |

7 Aft Door Window with Slide

| Part Number | Replaces OEM No. |
|------------------|------------------|
| OH58-1005-43 L/H | 206-032-501-19 |
| OH58-1005-44 R/H | 206-032-501-20 |

3 Aft Door Wedge Window with Vent

| Part Number | Replaces OEM No. |
|------------------|------------------|
| OH58W-1005-1 L/H | 206-032-501-19 |
| OH58W-1005-2 R/H | 206-032-501-20 |

8 Aft Door Wedge Window with Vent

| Part Number | Replaces OEM No. |
|-------------------|------------------|
| OH58W-1005-41 L/H | 206-032-501-19 |
| OH58W-1005-42 R/H | 206-032-501-20 |

4 Aft Door Wedge Window with Slide

| Part Number | Replaces OEM No. |
|------------------|------------------|
| OH58W-1005-3 L/H | 206-032-501-19 |
| OH58W-1005-4 R/H | 206-032-501-20 |

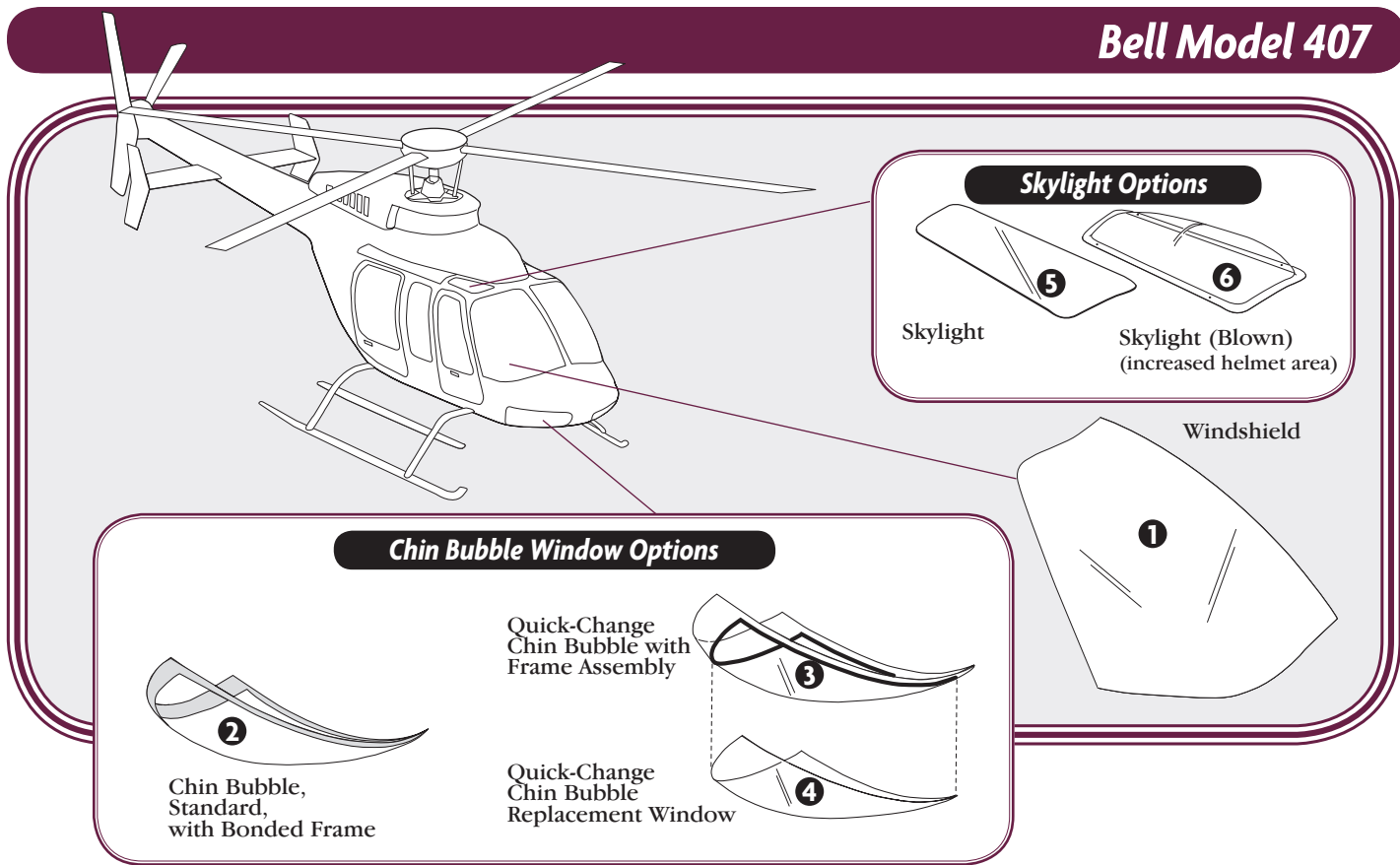
9 Aft Door Wedge Window with Slide

| Part Number | Replaces OEM No. |
|-------------------|------------------|
| OH58W-1005-43 L/H | 206-032-501-19 |
| OH58W-1005-44 R/H | 206-032-501-20 |

5 Aft Door Window with Vertical Slide

| Part Number | Replaces OEM No. |
|------------------|------------------|
| OH58-1005-23 L/H | 206-032-501-19 |
| OH58-1005-24 R/H | 206-032-501-20 |

Replacement Windows for the Helicopter World



QUICK-CHANGE RUBBER MOUNT

1 Windshield

| Part Number | | Replaces OEM No. |
|-------------|-----|------------------|
| 407-1001-1 | L/H | 407-030-115-123 |
| 407-1001-2 | R/H | 407-030-115-125 |

3 Chin Bubble with Frame Assembly

| Part Number | | Replaces OEM No. |
|--------------|-----|------------------|
| 407QC-1002-1 | L/H | Tech-Tool Design |
| 407QC-1002-2 | R/H | |

2 Chin Bubble

| Part Number | | Replaces OEM No. |
|-------------|-----|------------------|
| 407-1002-1 | L/H | 407-030-118-105 |
| 407-1002-2 | R/H | 407-030-118-107 |

4 Chin Bubble Replacement Only

| Part Number | | Replaces OEM No. |
|--------------|-----|------------------|
| 407QC-1002-3 | L/H | Tech-Tool Design |
| 407QC-1002-4 | R/H | |

5 Skylight

| Part Number | | Replaces OEM No. |
|-------------|-----|------------------|
| 407-1003-1 | L/H | 407-030-403-103 |
| 407-1003-2 | R/H | 407-030-403-104 |

6 Skylight (Blown)

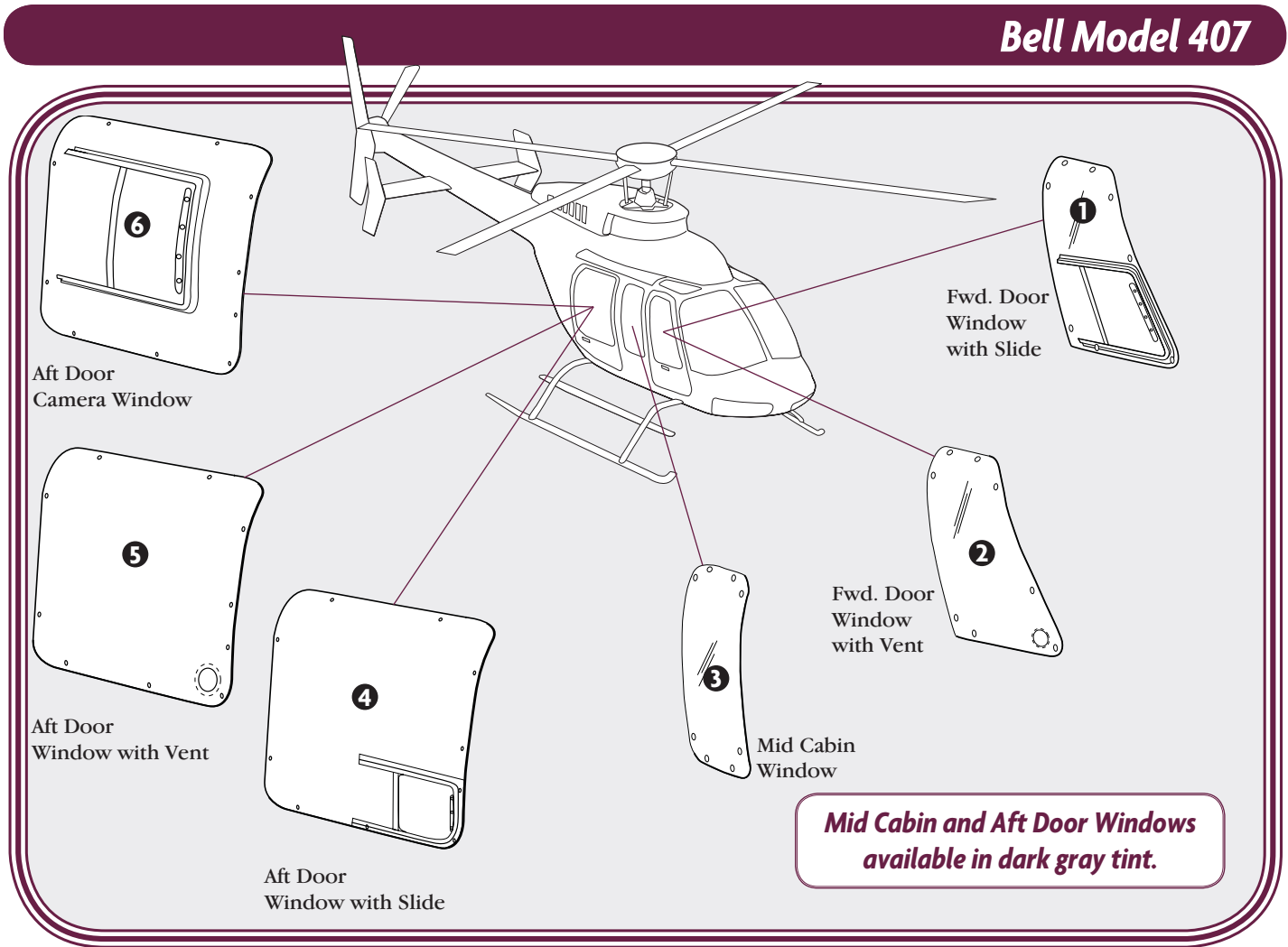
| Part Number | | Replaces OEM No. |
|-------------|-----|------------------|
| 407-1003-3 | L/H | Tech-Tool Design |
| 407-1003-4 | R/H | |



TECH-TOOL PLASTICS, INC.

7800 Skyline Park Drive • Fort Worth, Texas 76108 • www.tech-tool.com

Bell Model 407



Mid Cabin and Aft Door Windows available in dark gray tint.

1 Fwd. Door Window w/Slide

| Part Number | | Replaces OEM No. |
|-------------|-----|------------------|
| 407-1004-1 | L/H | 407-030-635-101 |
| 407-1004-2 | R/H | 407-030-635-102 |

4 Aft Door Window w/Slide

| Part Number | | Replaces OEM No. |
|-------------|-----|------------------|
| 407-1006-1 | L/H | 407-706-301-105 |
| 407-1006-2 | R/H | 407-706-301-106 |

2 Fwd. Door Window w/Vent

| Part Number | | Replaces OEM No. |
|-------------|-----|------------------|
| 407-1004-3 | L/H | Tech-Tool Design |
| 407-1004-4 | R/H | |

5 Aft Door Window w/Vent

| Part Number | | Replaces OEM No. |
|-------------|-----|------------------|
| 407-1006-3 | L/H | Tech-Tool Design |
| 407-1006-4 | R/H | |

3 Mid Cabin Window

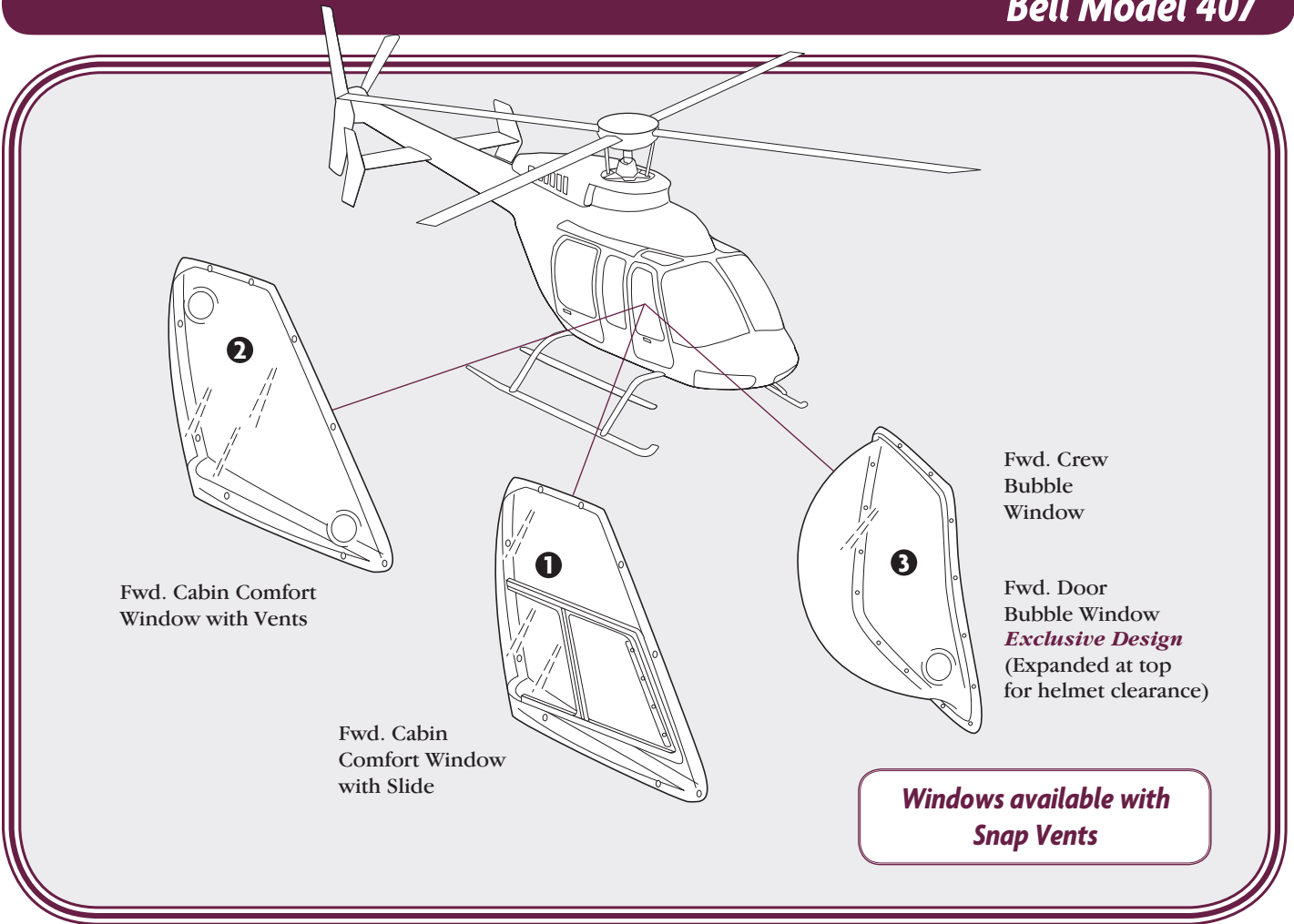
| Part Number | | Replaces OEM No. |
|-------------|-----|------------------|
| 407-1005-1 | L/H | 407-030-607-101 |
| 407-1005-2 | R/H | 407-030-607-102 |

6 Aft Door Camera Window

| Part Number | | Replaces OEM No. |
|-------------|-----|------------------|
| 407-1006-5 | L/H | Tech-Tool Design |
| 407-1006-6 | R/H | |

Replacement Windows for the Helicopter World

Bell Model 407



1 Fwd. Cabin Comfort Window w/ Slide

| Part Number | | Replaces OEM No. |
|---------------|-----|------------------|
| 407CC-1004-01 | L/H | Tech-Tool Design |
| 407CC-1004-02 | R/H | |

2 Fwd. Cabin Comfort Window w/Snap Vents

| Part Number | | Replaces OEM No. |
|---------------|-----|------------------|
| 407CC-1004-03 | L/H | Tech-Tool Design |
| 407CC-1004-04 | R/H | |

3 Fwd. Crew Bubble Window

| Part Number | | Replaces OEM No. |
|-------------|-----|------------------|
| 407-1010-1 | L/H | Tech-Tool Design |
| 407-1010-2 | R/H | |

Exclusive 407 Window Features

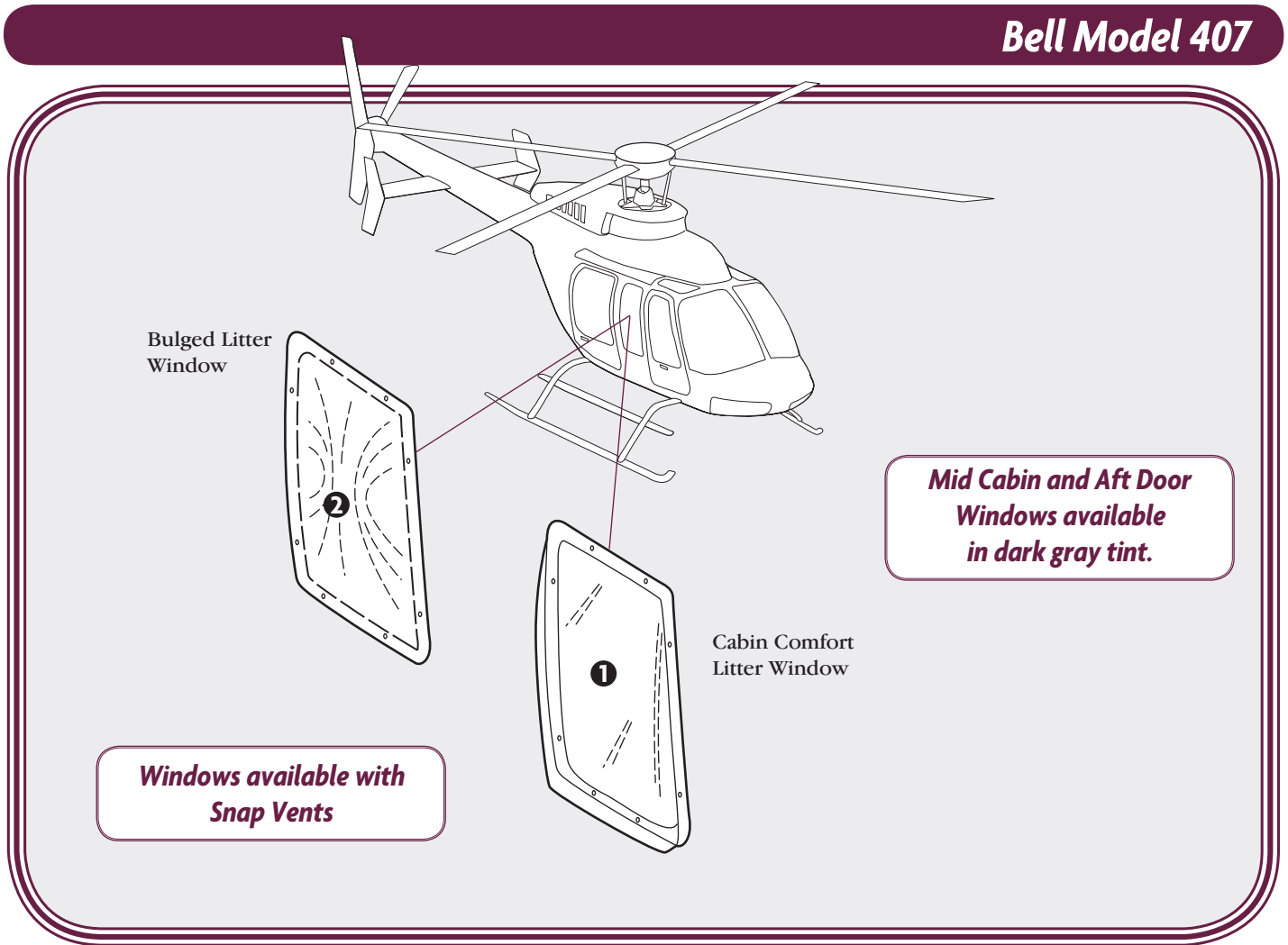
Tech-Tool's Cabin Comfort Windows provide 3.5" of extra shoulder/elbow room and are completely "Clear View". There are no visual obstructions, allowing improved viewing from passenger seating.



TECH-TOOL PLASTICS, INC.

7800 Skyline Park Drive • Fort Worth, Texas 76108 • www.tech-tool.com

Bell Model 407



1 Mid Cabin Comfort Window

| Part Number | | Replaces OEM No. |
|---------------|-----|------------------|
| 407CC-1005-03 | L/H | Tech-Tool Design |
| 407CC-1005-04 | R/H | |

2 Mid Cabin Bulged Window

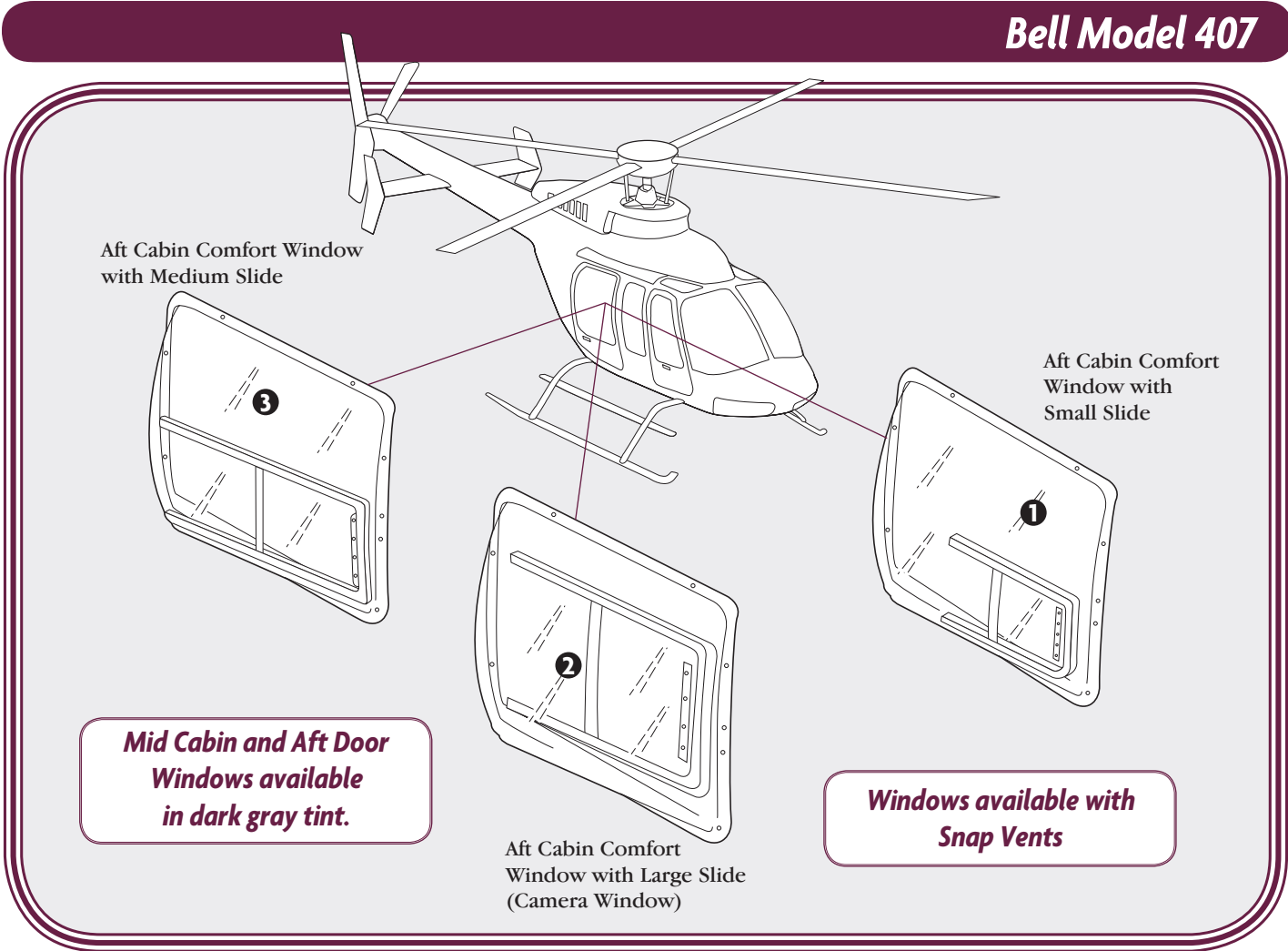
| Part Number | | Replaces OEM No. |
|---------------|-----|------------------|
| 407BU-1005-03 | L/H | Tech-Tool Design |
| 407BU-1005-04 | R/H | |

Exclusive 407 Window Features

Tech-Tool's Cabin Comfort Windows provide 3.5" of extra shoulder/elbow room and are completely "Clear View". There are no visual obstructions, allowing improved viewing from passenger seating.

Replacement Windows for the Helicopter World

Bell Model 407



1 Aft Cabin Comfort Door Window w/Slide

| Part Number | | Replaces OEM No. |
|---------------|-----|------------------|
| 407CC-1006-01 | L/H | Tech-Tool Design |
| 407CC-1006-02 | R/H | |

2 Aft Cabin Comfort Door Camera Window

| Part Number | | Replaces OEM No. |
|---------------|-----|------------------|
| 407CC-1006-05 | L/H | Tech-Tool Design |
| 407CC-1006-06 | R/H | |

3 Aft Cabin Comfort Door Window w/Slide

| Part Number | | Replaces OEM No. |
|---------------|-----|------------------|
| 407CC-1006-07 | L/H | Tech-Tool Design |
| 407CC-1006-08 | R/H | |

Exclusive 407 Window Features

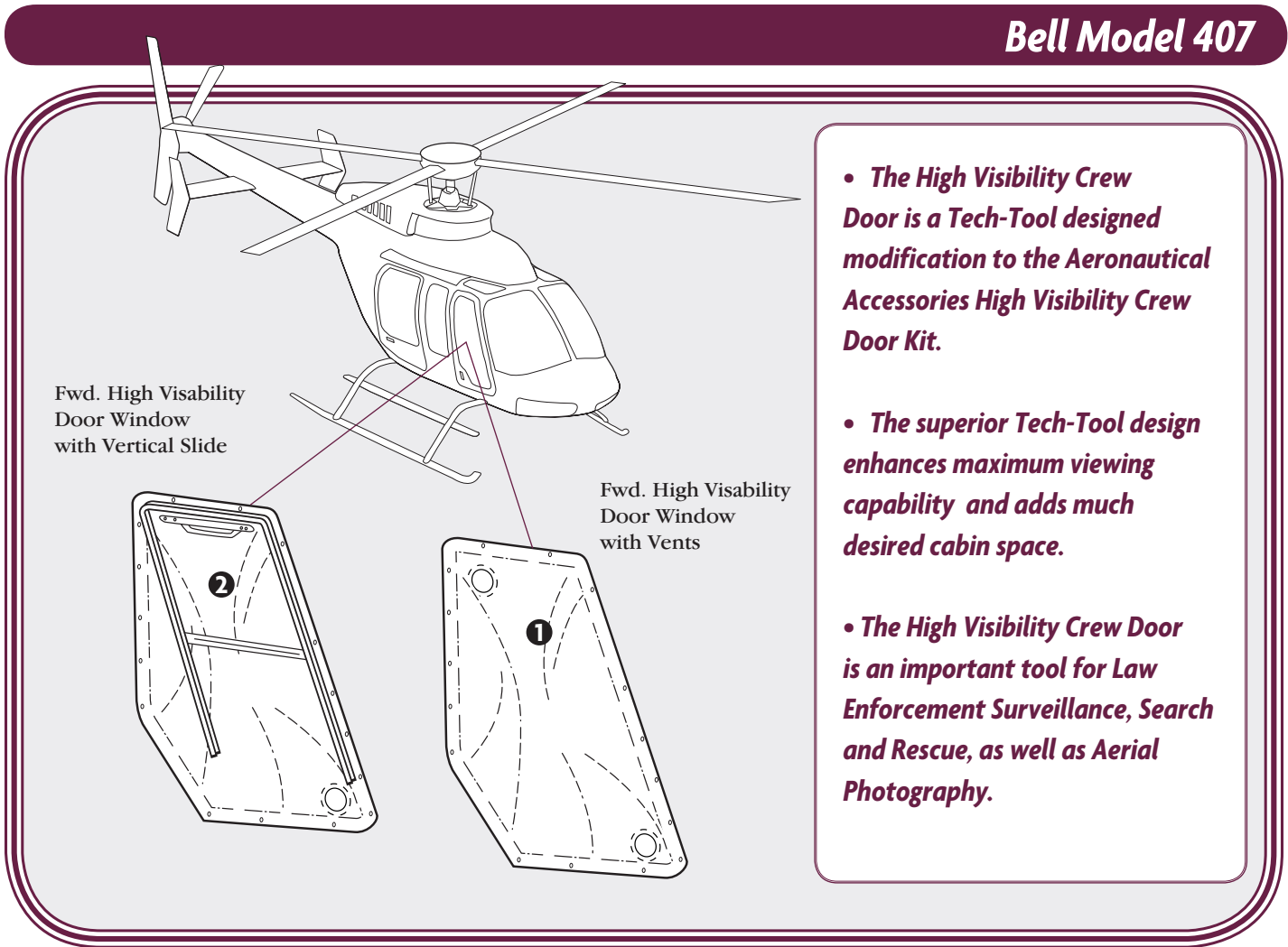
Tech-Tool's Cabin Comfort Windows provide 3.5" of extra shoulder/elbow room and are completely "Clear View". There are no visual obstructions, allowing improved viewing from passenger seating.



TECH-TOOL PLASTICS, INC.

7800 Skyline Park Drive • Fort Worth, Texas 76108 • www.tech-tool.com

Bell Model 407



- *The High Visibility Crew Door is a Tech-Tool designed modification to the Aeronautical Accessories High Visibility Crew Door Kit.*

- *The superior Tech-Tool design enhances maximum viewing capability and adds much desired cabin space.*

- *The High Visibility Crew Door is an important tool for Law Enforcement Surveillance, Search and Rescue, as well as Aerial Photography.*

1 Fwd. High Visibility Door Window w/Vents

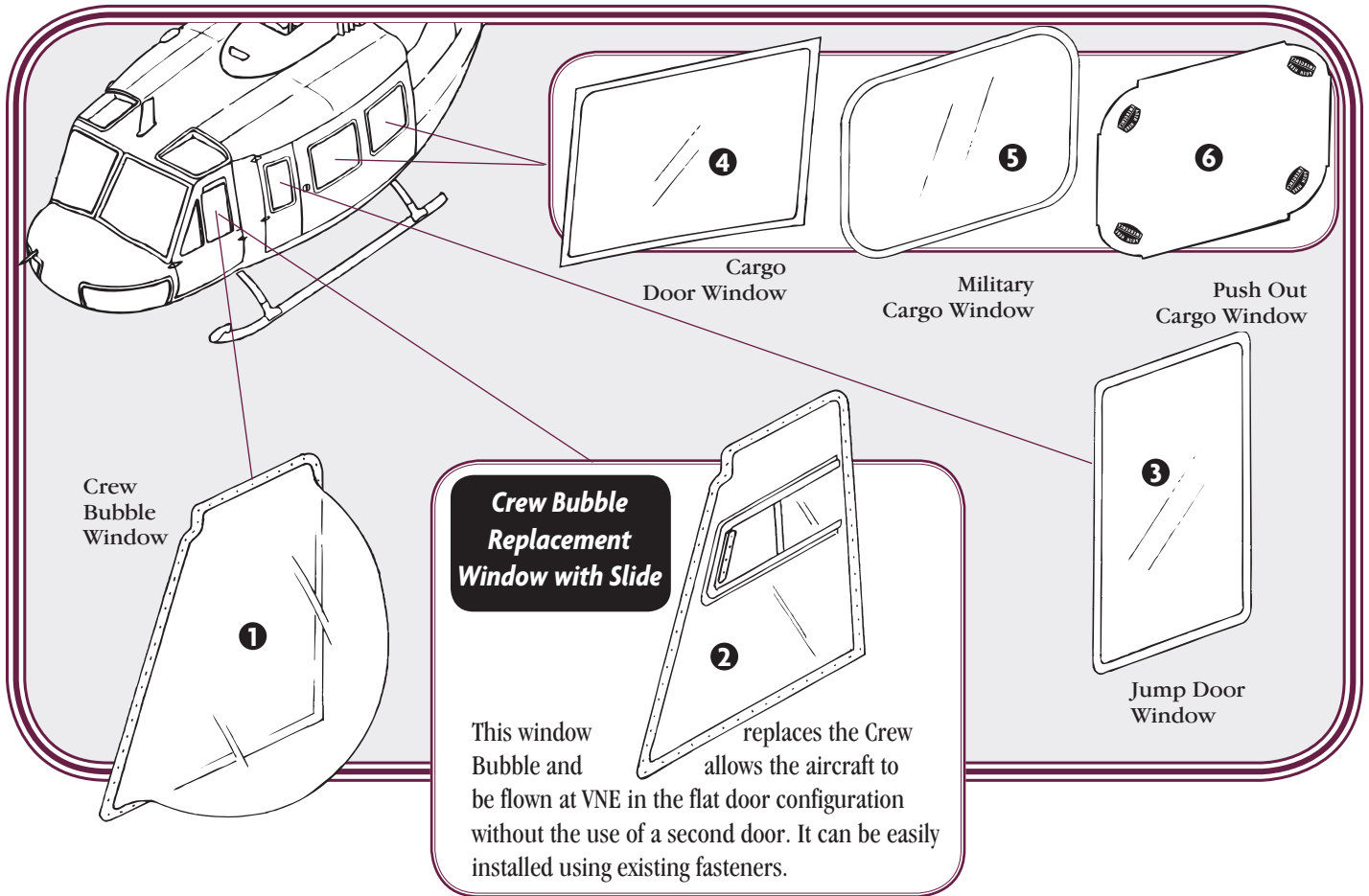
| Part Number | | Replaces OEM No. |
|---------------|-----|------------------|
| 407HV-1004-11 | L/H | Tech-Tool Design |
| 407HV-1004-12 | R/H | |

2 Fwd. High Visibility Door Window w/Vertical Slide

| Part Number | | Replaces OEM No. |
|---------------|-----|------------------|
| 407HV-1004-13 | L/H | Tech-Tool Design |
| 407HV-1004-14 | R/H | |

Replacement Windows for the Helicopter World

Bell Model 204, 205, 212, 214, 412, UH1



1 Crew Bubble Window

| Part Number | Replaces OEM No. |
|-------------|------------------|
| 204B-1033-1 | Tech-Tool Design |

4 Cargo Door Window *

| Part Number | Replaces OEM No. |
|-------------|------------------|
| 205D-1031-1 | 205-032-713-5 |

2 Replacement Window with Slide

| Part Number | Replaces OEM No. |
|-------------|------------------|
| 204B-1035-1 | Tech-Tool Design |

5 Military Cargo Window *

| Part Number | Replaces OEM No. |
|-------------|------------------|
| 205D-1029-1 | 205-031-669-7 |

3 Jump Door Window

| Part Number | Replaces OEM No. |
|-----------------|--------------------|
| 205D-1028-1 L/H | 205-030-285-1 |
| 205D-1028-2 R/H | 205-030-285-2 |
| 412-1028-1 L/H | 412-030-051-101 ** |
| 412-1028-2 R/H | 412-030-051-102 ** |

6 Push Out Cargo Window

| Part Number | Replaces OEM No. |
|-------------|--------------------|
| 214B-1030-1 | 205-032-669-233 |
| 412-1030-1 | 412-030-308-137 ** |

**** Applicable to Bell model 412 S/N 36191 and up**

***Tech-Tool Exclusive**

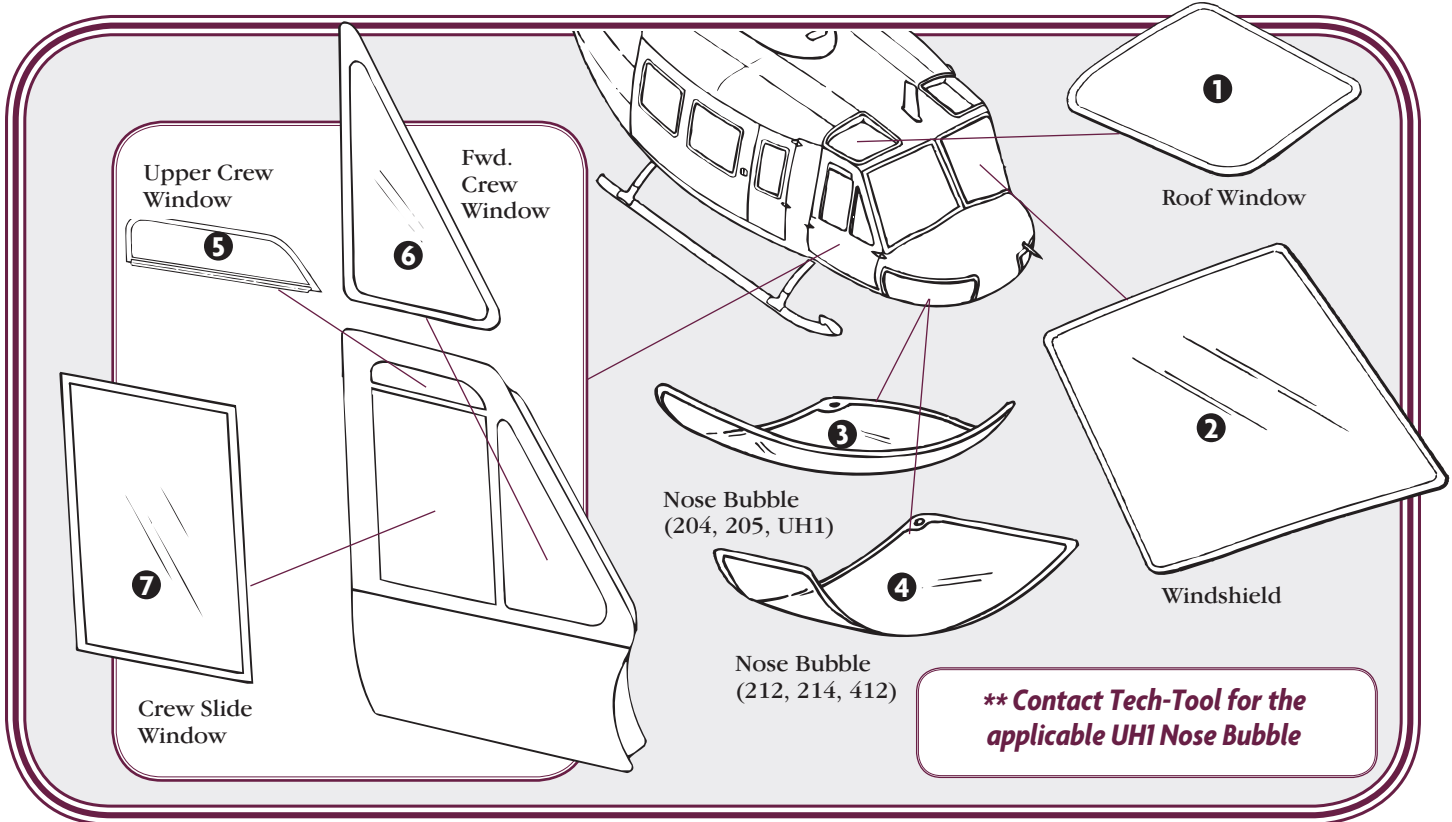
These windows are manufactured with a “see-through” translucent fiberglass edging that makes locating the attach holes easier and drilling more accurate. The result is a faster and more economical window installation.



TECH-TOOL PLASTICS, INC.

7800 Skyline Park Drive • Fort Worth, Texas 76108 • www.tech-tool.com

Bell Model 204, 205, 212, 214, 412, UH1



**** Contact Tech-Tool for the applicable UH1 Nose Bubble**

1 Roof Window *

| Part Number | | Replaces OEM No. | Model No. |
|--------------|-----|---------------------|----------------|
| 204B-1021-1 | L/H | 204-030-673-29,57 | 204,UH1B,E,F,L |
| 204B-1021-2 | R/H | 204-030-673-23,45 | 204,UH1B,E,F,L |
| 205D-1022-1 | L/H | 205-030-673-31 | 214 |
| 205D-1022-2 | R/H | 205-030-673-61,71 | 214 |
| 205D-1022-1B | L/H | 205-030-673-101 | 214 |
| 205D-1022-2B | R/H | 205-030-673-102,109 | 214 |
| 205D-1022-3 | L/H | 205-030-673-23,37 | 205,212,UH1H |
| 205D-1022-6 | R/H | 205-030-673-24,38 | 205,212,UH1H |
| 205D-1022-3B | L/H | 205-030-673-103 | 412 |
| 205D-1022-6B | R/H | 205-030-673-104 | 412 |

4 Nose Bubble *

| Part Number | | Replaces OEM No. | Model No. |
|-------------|-----|------------------|-------------|
| 212-1034-1 | L/H | 212-030-076-1,3 | 212,214,412 |
| 212-1034-2 | R/H | 212-030-076-2,4 | 212,214,412 |

5 Upper Crew Window (all models) *

| Part Number | | Replaces OEM No. |
|-------------|-----|-------------------|
| 204B-1026-1 | L/H | 204-030-770-1,101 |
| 204B-1026-2 | R/H | 204-030-770-2,102 |

6 Fwd. Crew Window (all models)

| Part Number | | Replaces OEM No. |
|-------------|-----|------------------|
| 204B-1025-1 | L/H | 204-030-459-1 |
| 204B-1025-2 | R/H | 204-030-459-2 |

7 Crew Slide Window

| Part Number | | Replaces OEM No. | Handle |
|-------------|----------|---------------------|-----------------|
| 204B-1027-1 | L/H -R/H | 204-030-799-1 | Standard Handle |
| 204B-1027-1 | L/H -R/H | 204-030-799-101,111 | 412 Handle |

2 Windshield (all models) *

| Part Number | | Replaces OEM No. |
|-------------|-----|------------------|
| 204B-1023-1 | L/H | 204-030-666-43 |
| 204B-1023-2 | R/H | 204-030-666-44 |

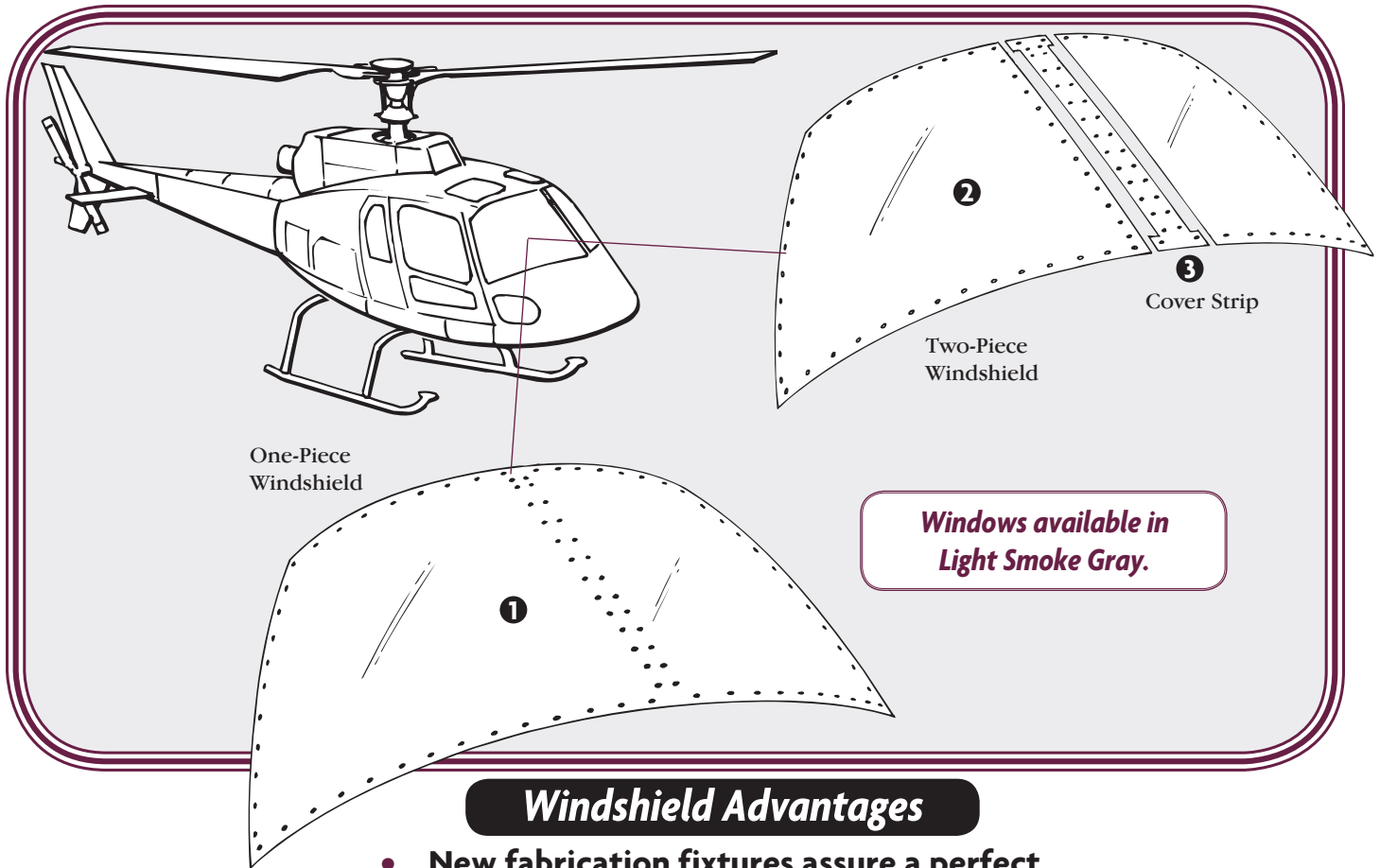
3 Nose Bubble *

| Part Number | | Replaces OEM No. | Model No.** |
|-------------|-----|------------------|-------------|
| 204B-1024-1 | L/H | 204-030-657-35 | 205,UH1 |
| 204B-1024-2 | R/H | 204-030-657-36 | 205,UH1 |
| 204B-1024-3 | L/H | 204-030-657-19 | 204,UH1 |
| 204B-1024-4 | R/H | 204-030-657-20 | 204,UH1 |

***Tech-Tool Exclusive**
 These windows are manufactured with a "see-through" translucent fiberglass edging that makes locating the attach holes easier and drilling more accurate. The result is a faster and more economical window installation.

Replacement Windows for the Helicopter World

Eurocopter Model AS350, 355



Windshield Advantages

- New fabrication fixtures assure a perfect fit and longer windshield life
- Pre-formed to cabin contour
- Pre-drilled attach holes

1 One-Piece Windshield

| Part Number | Replaces OEM No. |
|-------------|------------------|
| 3501-2023-1 | 350A25-1238-24 |

2 Two-Piece Windshield

| Part Number | | Replaces OEM No. |
|-------------|-----|--------------------------------------------|
| 3501-2023-3 | L/H | 350A25-1371-20/704A31-5120-035/SP350-2-1-0 |
| 3501-2023-4 | R/H | 350A25-1371-21/704A31-5120-036/SP350-1-1-0 |

3 Cover Strip

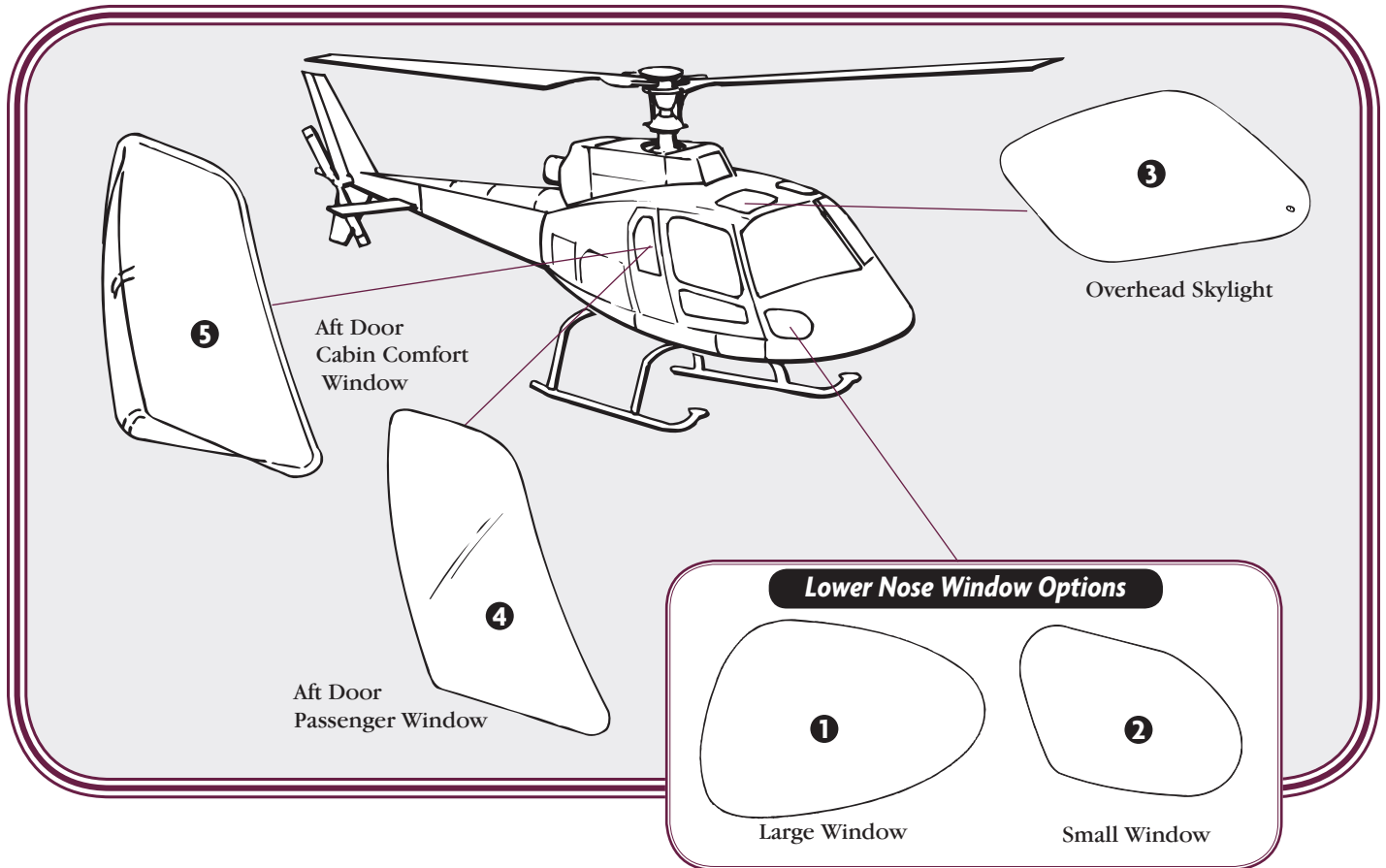
| Part Number | Replaces OEM No. |
|--------------|------------------|
| 3501-2023-11 | 350A25-1370-28 |



TECH-TOOL PLASTICS, INC.

7800 Skyline Park Drive • Fort Worth, Texas 76108 • www.tech-tool.com

Eurocopter Model AS350, 355



1 Large Lower Nose Window

| Part Number | | Replaces OEM No. |
|-------------|-----|------------------|
| 3501-2021-1 | L/H | 350A21-0200-26 |
| 3501-2021-2 | R/H | 350A21-0200-27 |

2 Small Lower Nose Window

| Part Number | | Replaces OEM No. |
|-------------|-----|------------------|
| 3501-2022-1 | L/H | 350A25-1006-56 |
| 3501-2022-2 | R/H | 350A25-1006-57 |

3 Overhead Skylight

| Part Number | | Replaces OEM No. |
|-------------|-----|------------------|
| 3501-2024-1 | L/H | 350A25-1004-64 |
| | | 350A25-1635-2001 |
| 3501-2024-2 | R/H | 350A25-1004-65 |
| | | 350A25-1635-2101 |

4 Aft Door Passenger Window

| Part Number | | Replaces OEM No. |
|-------------|-----|---------------------|
| 3501-2027-1 | L/H | 350A25-0060-21/2104 |
| 3501-2027-1 | R/H | 350A25-0060-21/2103 |

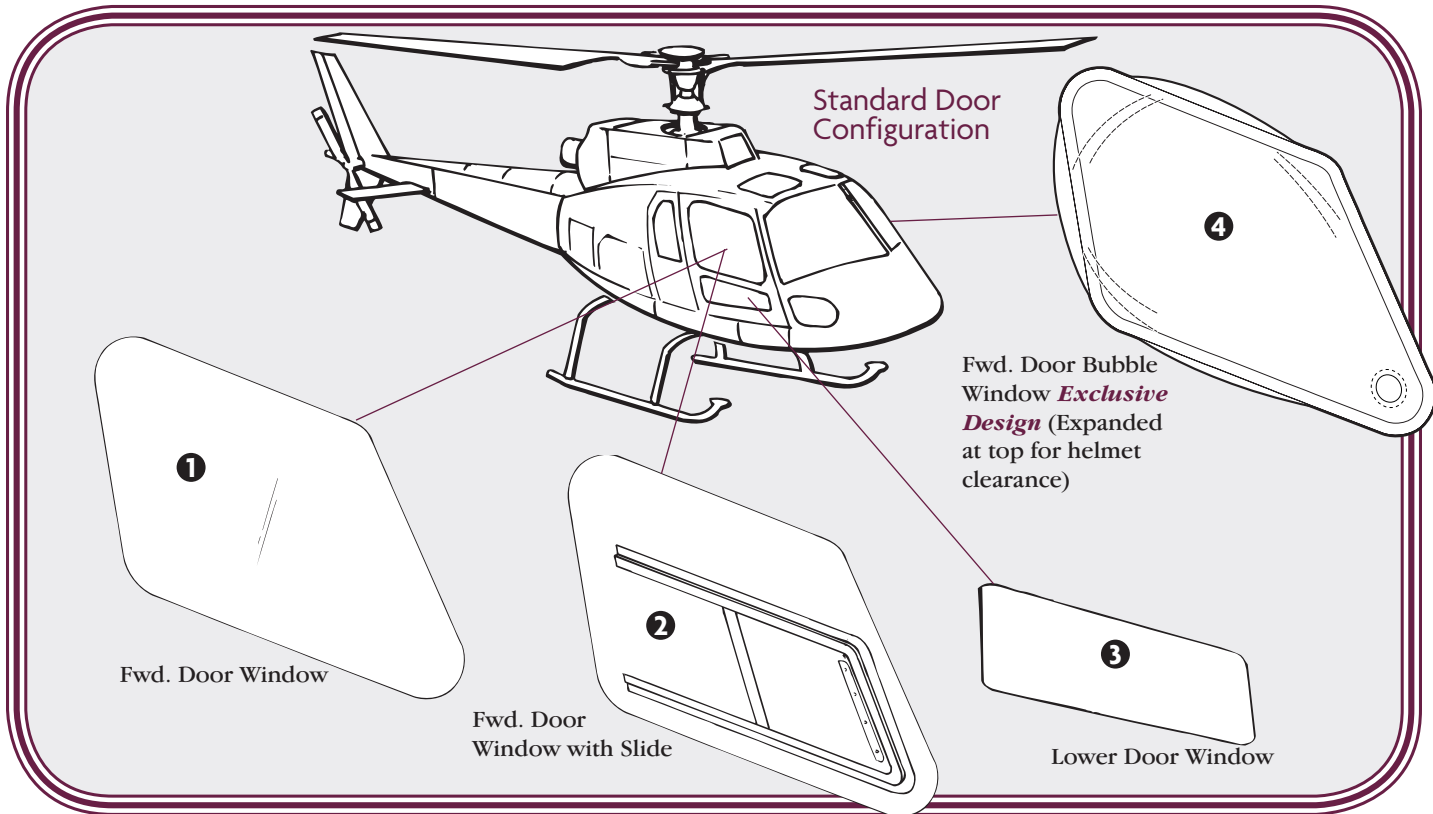
5 Aft Door Cabin Comfort Window

| Part Number | | Replaces OEM No. |
|---------------|-----|------------------|
| 3501CC-2027-3 | L/H | Tech-Tool Design |
| 3501CC-2027-4 | R/H | |

**Aft Door Windows
available in Dark Gray Tint**

Replacement Windows for the Helicopter World

Eurocopter Model AS350, 355



1 Fwd. Door Window

| Part Number | | Replaces OEM No. |
|-------------|-----|------------------|
| 3501-2025-1 | L/H | 350A25-0050-52 |
| 3501-2025-2 | R/H | 350A25-0050-51 |

2 Fwd. Door Window with Slide

| Part Number | | Replaces OEM No. |
|-------------|-----|--------------------------------|
| 3501-2026-1 | L/H | 350A25-0050-52 |
| | | 704A41-512-003,005,028,037,042 |
| | | 040-11341-990 |
| | | 040-11650-990 |
| 3501-2026-2 | R/H | 350A25-0050-5401 |
| | | 704A41-512-004,006,025,029,041 |
| | | 040-11340-990 |
| | | 040-11651-990 |

3 Lower Door Window

| Part Number | | Replaces OEM No. |
|-------------|-----|------------------|
| 3501-2028-1 | L/H | 350A25-0050-69 |
| 3501-2028-1 | R/H | 350A25-0050-69 |

4 Fwd. Door Bubble

| Part Number | | Replaces OEM No. |
|-------------|-----|------------------|
| 3501-2040-1 | L/H | Tech-Tool Design |

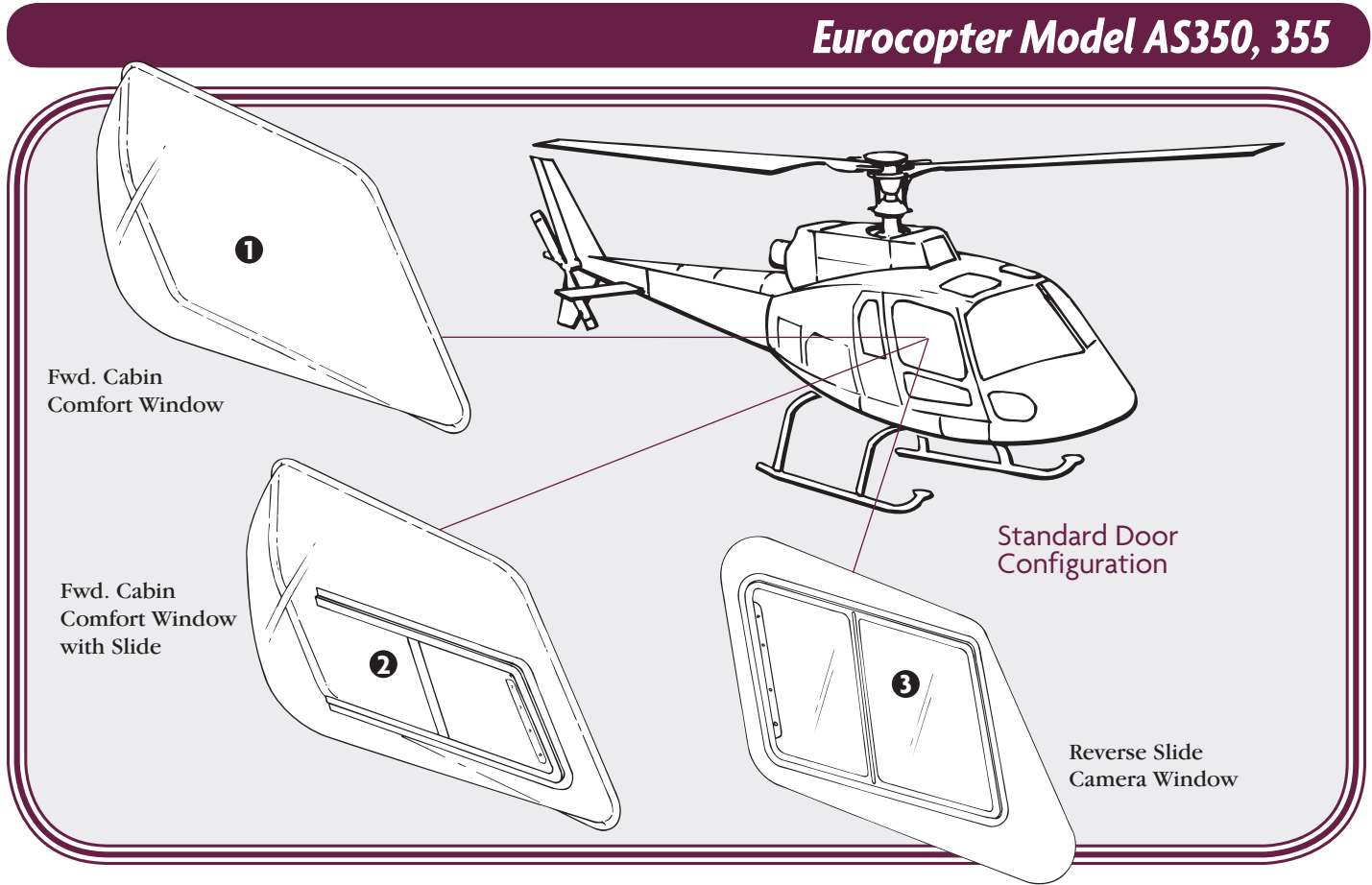
Windows available in Light Smoke Gray.



TECH-TOOL PLASTICS, INC.

7800 Skyline Park Drive • Fort Worth, Texas 76108 • www.tech-tool.com

Eurocopter Model AS350, 355



Window Features

Windows available in Light Smoke Gray.

Fwd. Cabin Comfort Windows

Tech-Tool's Fwd. Cabin Comfort Windows are completely "Clear View". There are no visual obstructions from the usual upper painted area and lower opaque arm rest, allowing improved viewing from passenger seating.

Reverse Slide Camera Window

Tech-Tool's Reverse Slide Camera Window allows ready access for aft passenger area photography. Unlike others, this camera window provides a large opening for easy maneuverability. Slide mechanism is located on the inside and eliminates air noise and vibration.

1 Fwd. Cabin Comfort Window

| Part Number | | Replaces OEM No. |
|---------------|-----|------------------|
| 3501CC-2025-3 | L/H | Tech-Tool Design |
| 3501CC-2025-4 | R/H | |

2 Fwd. Cabin Comfort Window with Slide

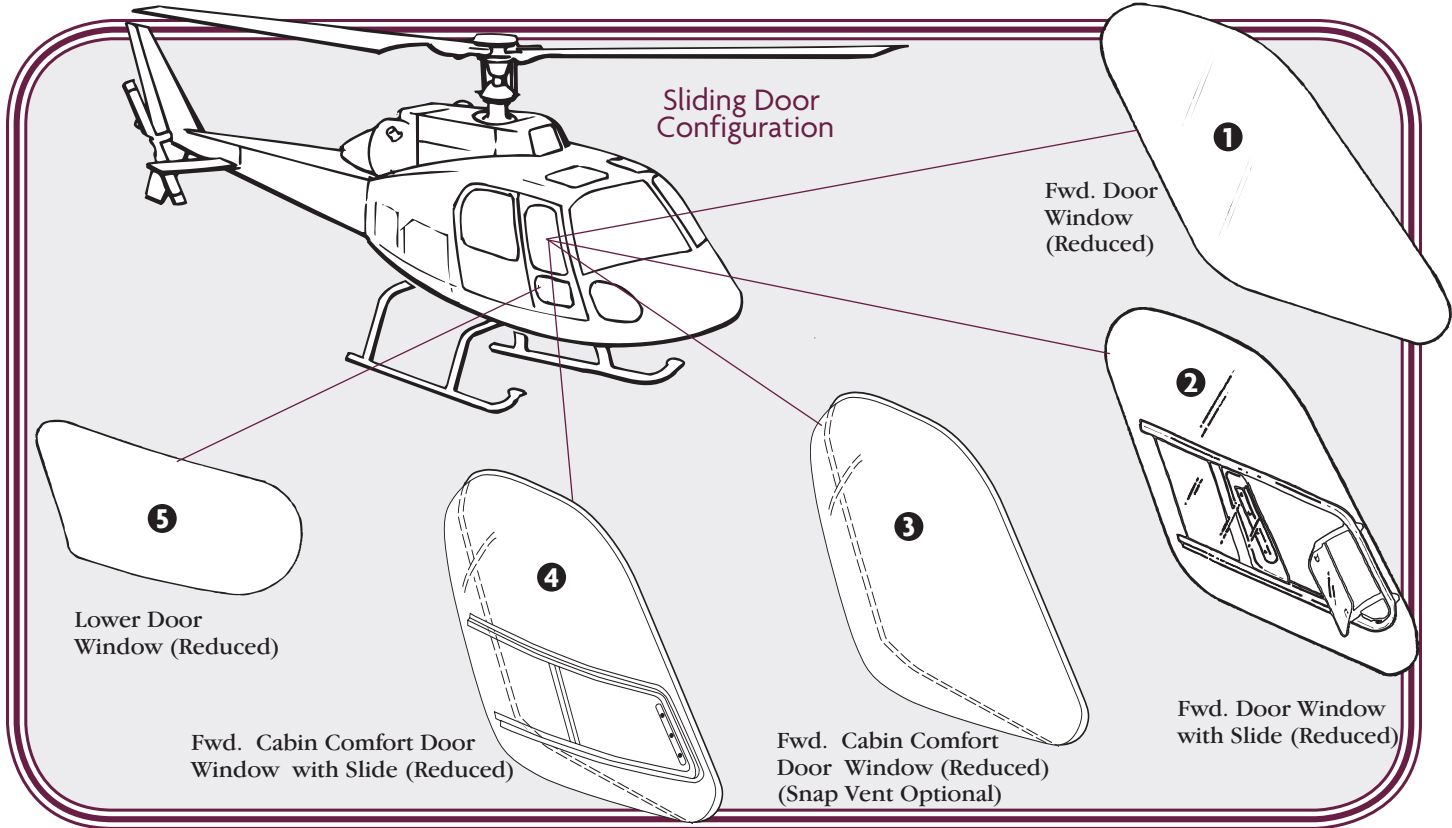
| Part Number | | Replaces OEM No. |
|---------------|-----|------------------|
| 3501CC-2025-5 | L/H | Tech-Tool Design |
| 3501CC-2025-6 | R/H | |

3 Reverse Slide Camera Window

| Part Number | | Replaces OEM No. |
|-------------|-----|------------------|
| 3501-2035-1 | L/H | Tech-Tool Design |
| 3501-2035-2 | R/H | |

Replacement Windows for the Helicopter World

Eurocopter Model AS350, 355



Windows available in Light Smoke Gray.

1 Fwd. Door Window (Reduced)

| Part Number | | Replaces OEM No. |
|-------------|-----|------------------|
| 3501-2029-1 | L/H | 350A25-0040-30 |
| 3501-2029-2 | R/H | 350A25-0040-31 |

3 Fwd. Cabin Comfort Door Window (Reduced, Snap Vent Optional)

| Part Number | | Replaces OEM No. |
|---------------|-----|------------------|
| 3501CC-2030-3 | L/H | Tech-Tool Design |
| 3501CC-2030-4 | R/H | |

2 Fwd. Door Window with Slide (Reduced)

| Part Number | | Replaces OEM No. |
|-------------|-----|--------------------|
| 3501-2030-1 | L/H | 704A41-512-008,044 |
| | | AP350-001-1 |
| | | 040-11403-990 |
| 3501-2030-2 | R/H | 704A41-512-009,043 |
| | | AP350-001-2 |
| | | 040-11404-990 |

4 Fwd. Cabin Comfort Door Window with Slide (Reduced)

| Part Number | | Replaces OEM No. |
|---------------|-----|------------------|
| 3501CC-2030-5 | L/H | Tech-Tool Design |
| 3501CC-2030-6 | R/H | |

5 Lower Door Window (Reduced)

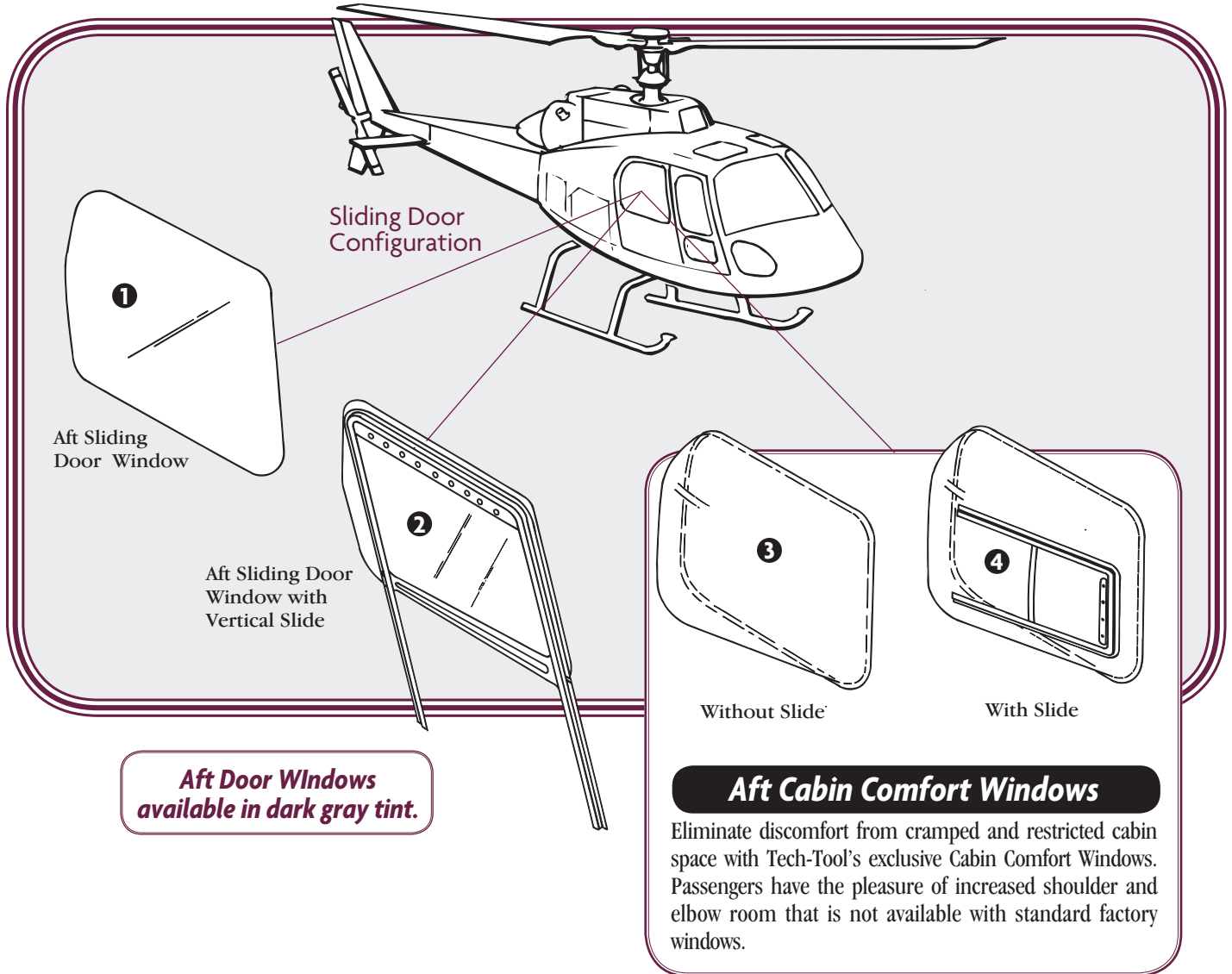
| Part Number | | Replaces OEM No. |
|-------------|-----|------------------|
| 3501-2031-1 | L/H | 350A25-0040-47 |
| 3501-2031-1 | R/H | 350A25-0040-47 |



TECH-TOOL PLASTICS, INC.

7800 Skyline Park Drive • Fort Worth, Texas 76108 • www.tech-tool.com

Eurocopter Model AS350, 355



Aft Door Windows available in dark gray tint.

1 Aft Sliding Door Window

| Part Number | | Replaces OEM No. |
|-------------|-----|----------------------------------|
| 3501-2032-1 | L/H | 350A25-0030-32 704A41-512-046 |
| 3501-2032-2 | R/H | 350A25-0030-33 704A41-512-047 |

2 Aft Sliding Door Window with Vertical Slide

| Part Number | | Replaces OEM No. |
|-------------|-----|------------------|
| 3501-2038-1 | L/H | Tech-Tool Design |
| 3501-2038-2 | R/H | |

3 Aft Sliding Door Cabin Comfort Window

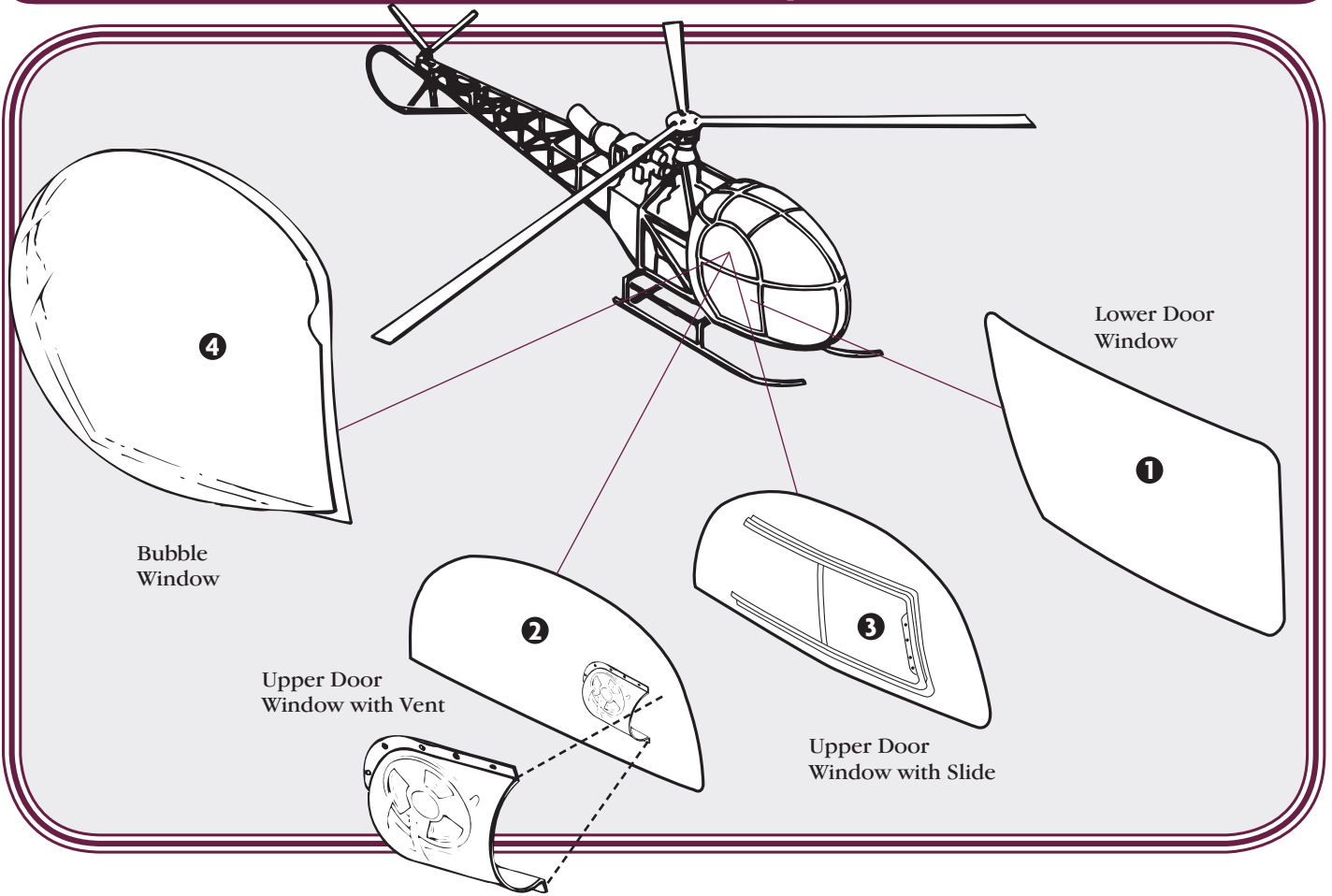
| Part Number | | Replaces OEM No. |
|---------------|-----|------------------|
| 3501CC-2032-3 | L/H | Tech-Tool Design |
| 3501CC-2032-4 | R/H | |

4 Aft Sliding Door Cabin Comfort Window with Slide

| Part Number | | Replaces OEM No. |
|---------------|-----|------------------|
| 3501CC-2032-5 | L/H | Tech-Tool Design |
| 3501CC-2032-6 | R/H | |

Replacement Windows for the Helicopter World

Eurocopter Model Alouette II/Lama



*Windows available
in Light Smoke Gray.*

1 Lower Door Window

| Part Number | | Replaces OEM No. |
|-------------|-----|--------------------|
| 3180-2005-1 | L/H | 3130S28-10-232,237 |
| 3180-2005-2 | R/H | 3130S28-10-242,247 |

2 Upper Door Window with Vent

| Part Number | | Replaces OEM No. |
|-------------|-----|--------------------|
| 3180-2006-1 | L/H | 3130S28-10-231,236 |
| 3180-2006-2 | R/H | 3130S28-10-241,246 |

3 Upper Door Window with Slide

| Part Number | | Replaces OEM No. |
|-------------|-----|------------------|
| 3180-2007-1 | L/H | Tech-Tool Design |
| 3180-2007-2 | R/H | |

4 Bubble Window

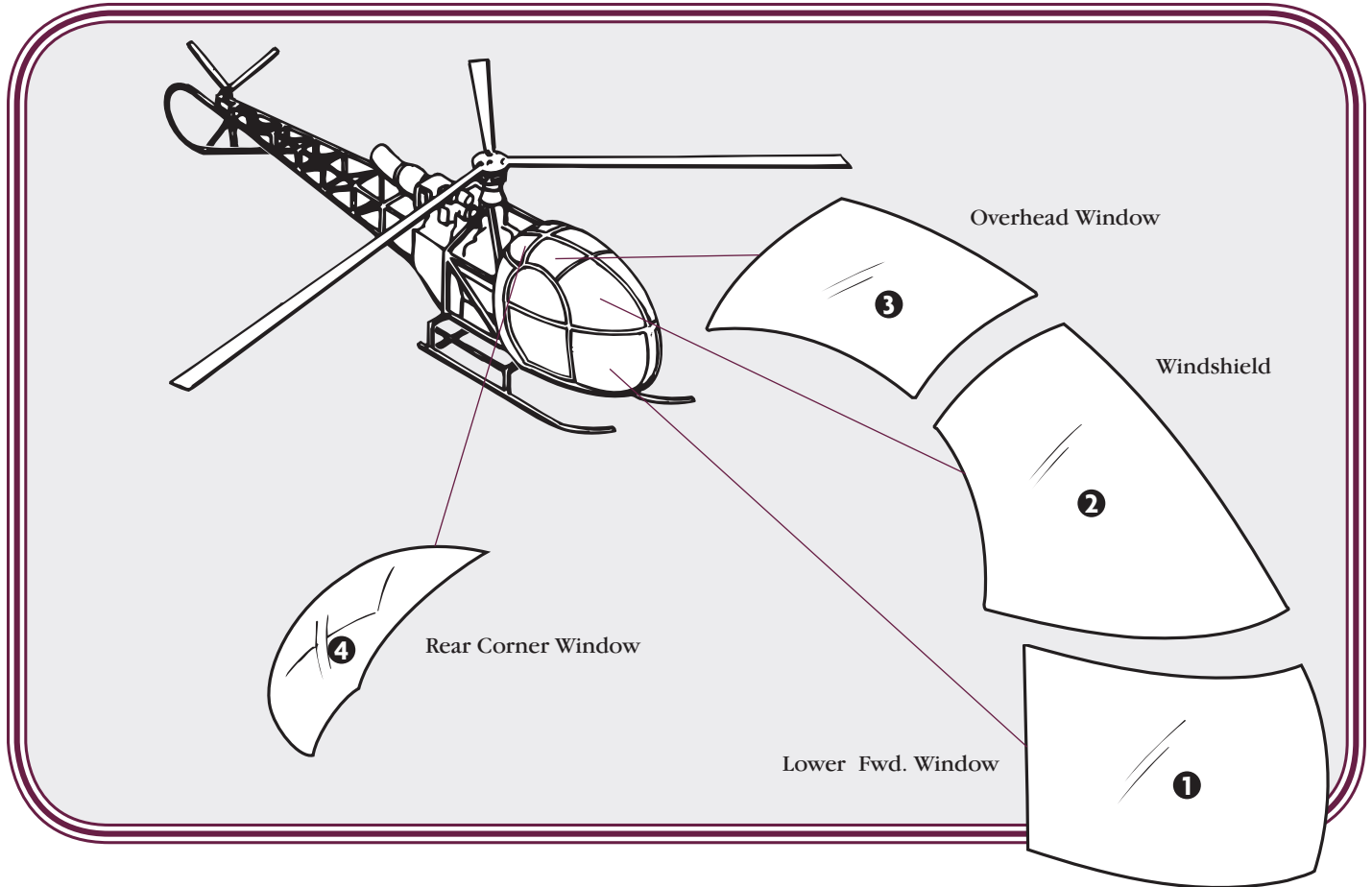
| Part Number | | Replaces OEM No. |
|-------------|-----|------------------|
| 3180-2008-2 | R/H | Tech-Tool Design |



TECH-TOOL PLASTICS, INC.

7800 Skyline Park Drive • Fort Worth, Texas 76108 • www.tech-tool.com

Eurocopter Model Alouette II/Lama



*Windows available
in Light Smoke Gray.*

1 Lower Fwd. Window

| Part Number | | Replaces OEM No. |
|-------------|-----|--------------------|
| 3180-1001-1 | L/H | 3180S25-10-221,231 |
| 3180-1001-2 | R/H | 3180S25-10-222,232 |

2 Windshield

| Part Number | | Replaces OEM No. |
|-------------|-----|--------------------|
| 3180-2002-1 | L/H | 3180S25-10-223,233 |
| 3180-2002-2 | R/H | 3180S25-10-224,234 |

3 Overhead Window

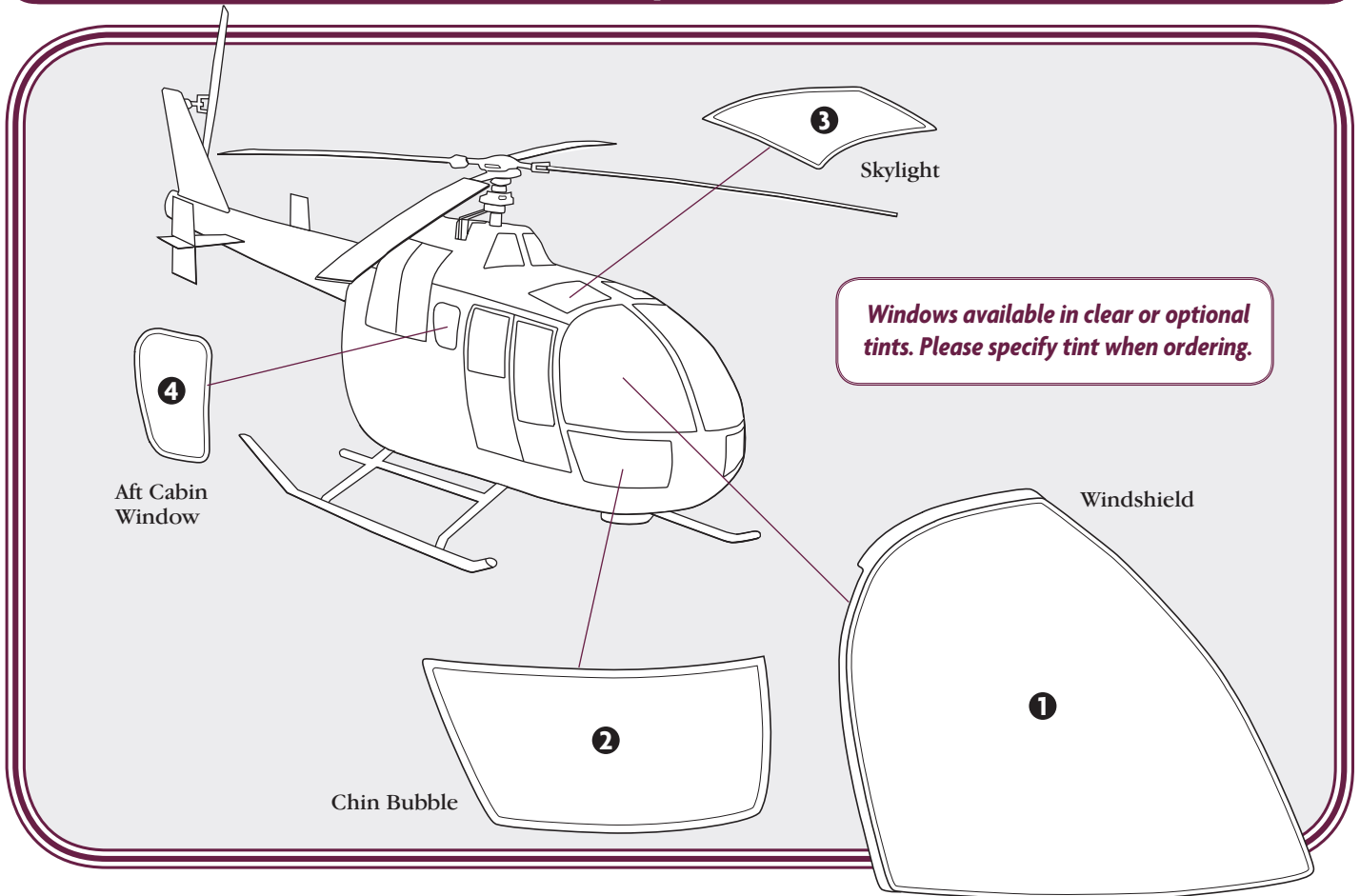
| Part Number | | Replaces OEM No. |
|-------------|-----|--------------------|
| 3180-2003-1 | L/H | 3180S25-10-225,235 |
| 3180-2003-2 | R/H | 3180S25-10-226,236 |

4 Rear Corner Window

| Part Number | | Replaces OEM No. |
|-------------|-----|--------------------|
| 3180-2004-1 | L/H | 3180S25-10-227,237 |
| 3180-2004-2 | R/H | 3180S25-10-228,238 |

Replacement Windows for the Helicopter World

Eurocopter Model BO105A, C, S, LS A-1, LS A-3



1 Windshield

| Part Number | | Replaces OEM No. |
|--------------|-----|------------------|
| B0105-1001-1 | L/H | 105-22206 |
| B0105-1001-2 | R/H | 105-22209 |

2 Chin Bubble

| Part Number | | Replaces OEM No. |
|--------------|-----|------------------|
| B0105-1002-1 | L/H | 105-22212 |
| B0105-1002-2 | R/H | 105-22215 |

3 Skylight

| Part Number | | Replaces OEM No. |
|--------------|-----|------------------|
| B0105-1003-1 | L/H | 105-22231 |
| B0105-1003-2 | R/H | 105-22232 |

4 Aft Cabin Window

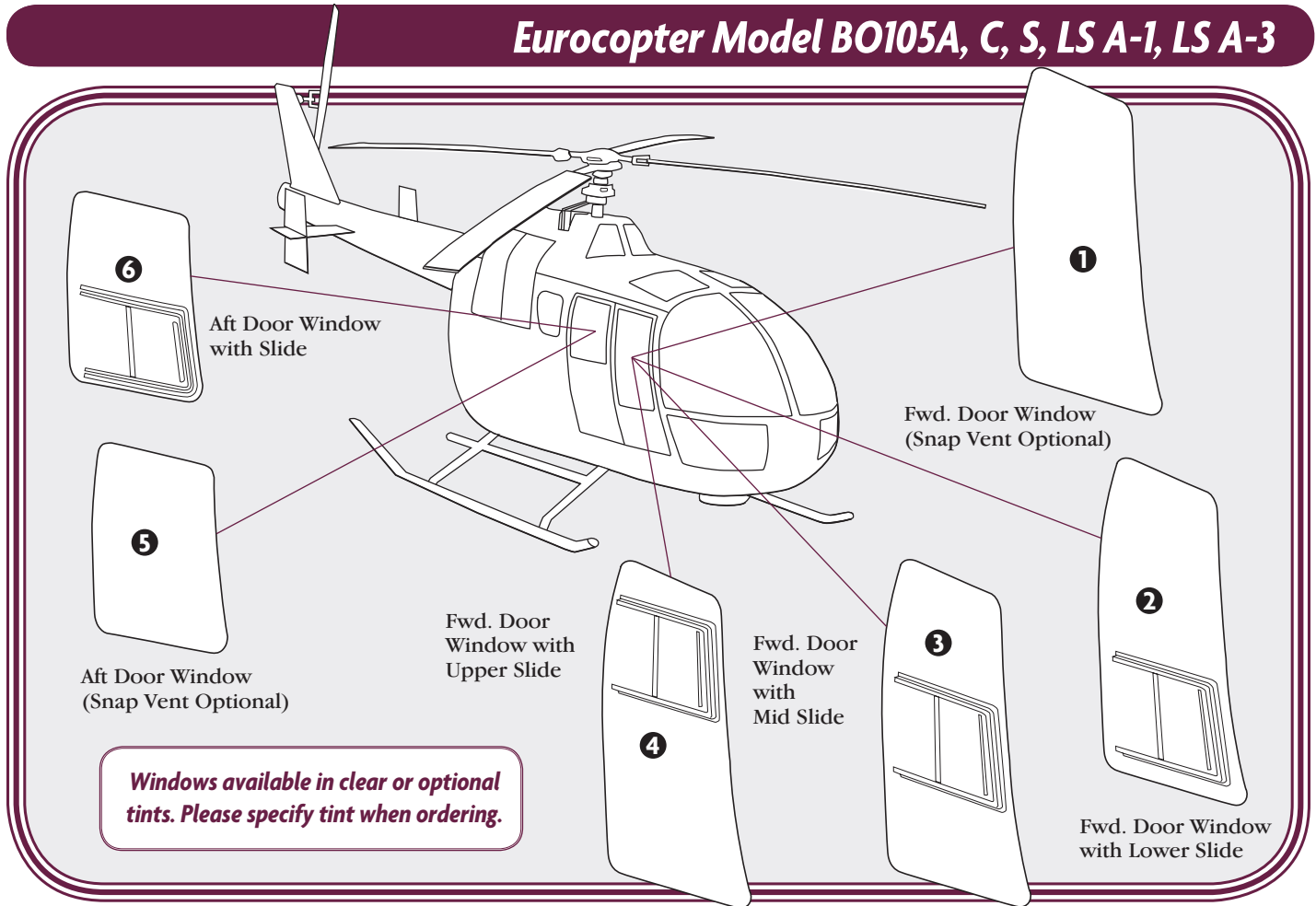
| Part Number | | Replaces OEM No. |
|--------------|-----|------------------|
| B0105-1006-1 | L/H | 105S-00233 |
| B0105-1006-2 | R/H | 105S-00234 |



TECH-TOOL PLASTICS, INC.

7800 Skyline Park Drive • Fort Worth, Texas 76108 • www.tech-tool.com

Eurocopter Model BO105A, C, S, LS A-1, LS A-3



Windows available in clear or optional tints. Please specify tint when ordering.

1 Fwd. Door Window (Snap Vent Optional)

| Part Number | | Replaces OEM No. |
|--------------|-----|-------------------------------------------------|
| BO105-1004-7 | L/H | 105-23301-30,32 M 105-23301-31 |
| BO105-1004-8 | R/H | 105-23301-31 105-233401-32 M 105-23301-30 |

4 Fwd. Door Window with Upper Slide

| Part Number | | Replaces OEM No. |
|--------------|-----|------------------------------------------------------|
| BO105-1004-5 | L/H | 105-23301-30,32 M 105-23301-31,25,1 |
| BO105-1004-6 | R/H | 105-23301-31 105-233401-32 M 105-23301-30,24,2 |

2 Fwd. Door Window with Lower Slide

| Part Number | | Replaces OEM No. |
|--------------|-----|-------------------------------------------------|
| BO105-1004-1 | L/H | 105-23301-30,32 M 105-23301-31 |
| BO105-1004-2 | R/H | 105-23301-31 105-233401-32 M 105-23301-30 |

5 Aft Door Window (Snap Vent Optional)

| Part Number | | Replaces OEM No. |
|--------------|-----|--------------------------------------------------|
| BO105-1005-3 | L/H | 105-23302-23 105-23501-31 M 105-23302-25,1 |
| BO105-1005-4 | R/H | 105-23302-22 105-23601-32 M 105-23302-24,2 |

3 Fwd. Door Window with Mid Slide

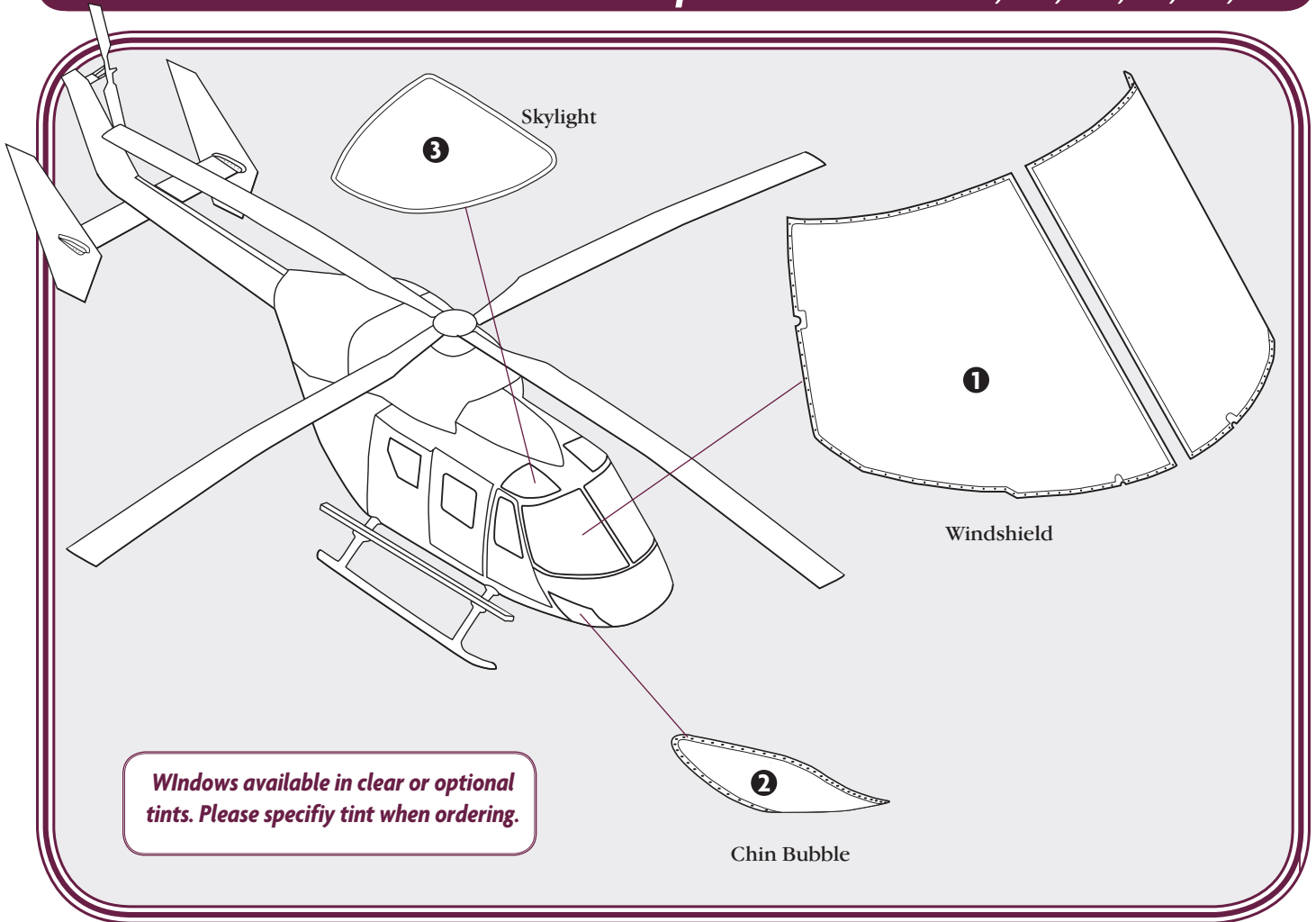
| Part Number | | Replaces OEM No. |
|--------------|-----|-------------------------------------------------|
| BO105-1004-3 | L/H | 105-23301-30,32 M 105-23301-31 |
| BO105-1004-4 | R/H | 105-23301-31 105-233401-32 M 105-23301-30 |

6 Aft Door Window with Slide

| Part Number | | Replaces OEM No. |
|--------------|-----|--------------------------------------------------|
| BO105-1005-1 | L/H | 105-23302-23 105-23501-31 M 105-23302-25,1 |
| BO105-1005-2 | R/H | 105-23302-22 105-23601-32 M 105-23302-24,2 |

Replacement Windows for the Helicopter World

Eurocopter Model BK117A1, A3, A4, B1, B2, C1



1 Windshield

| Part Number | | Replaces OEM No. |
|--------------|-----|------------------|
| BK117-1001-1 | L/H | 117-21199-51 |
| BK117-1001-2 | R/H | 117-21199-52 |

2 Chin Bubble

| Part Number | | Replaces OEM No. |
|--------------|-----|------------------|
| BK117-1002-1 | L/H | 117-21181-01 |
| BK117-1002-2 | R/H | 117-21181-02 |

3 Skylight

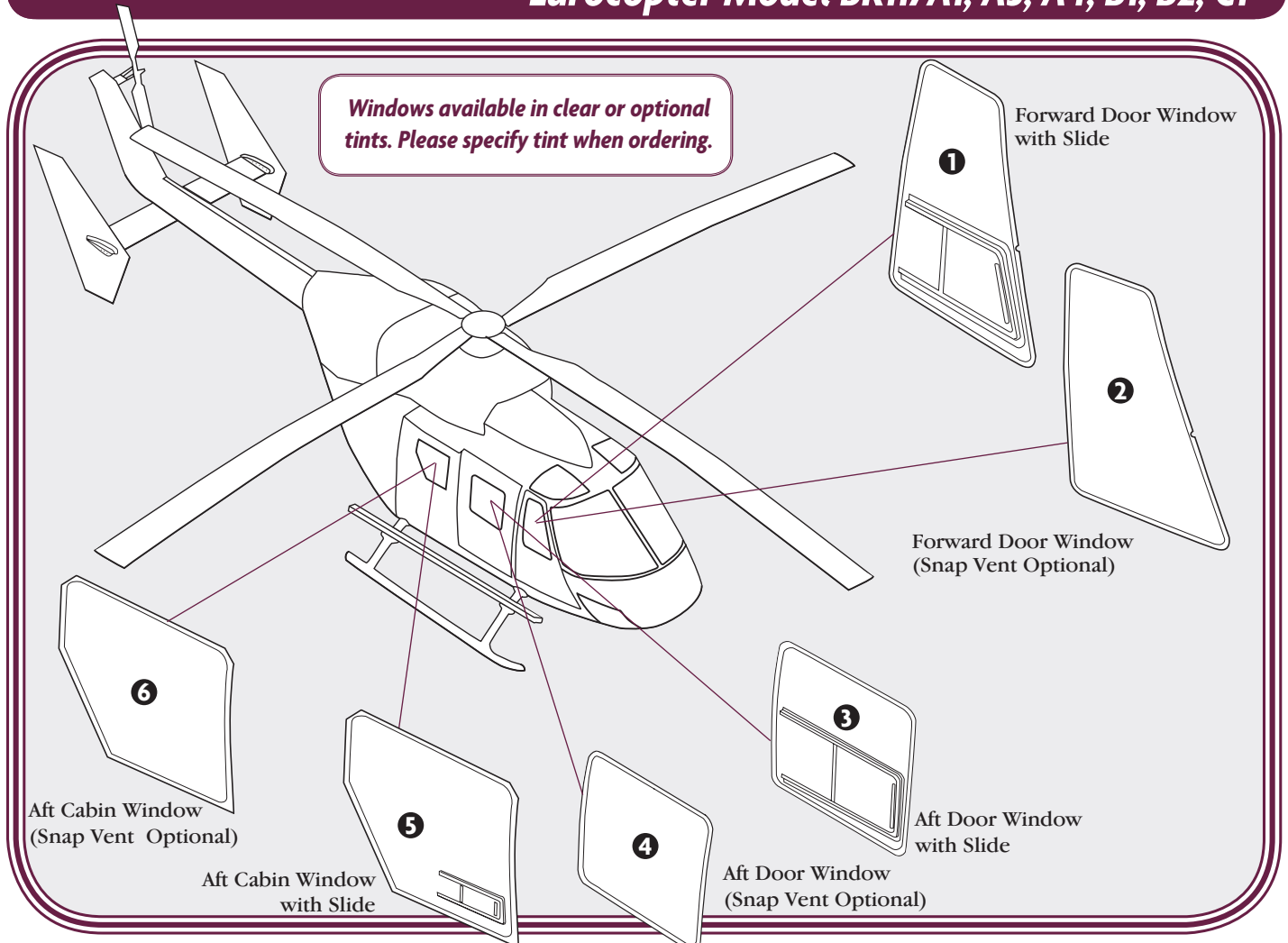
| Part Number | | Replaces OEM No. |
|--------------|-----|------------------|
| BK117-1003-1 | L/H | 117-21221-01 |
| BK117-1003-2 | R/H | 117-21221-02 |



TECH-TOOL PLASTICS, INC.

7800 Skyline Park Drive • Fort Worth, Texas 76108 • www.tech-tool.com

Eurocopter Model BK117A1, A3, A4, B1, B2, C1



1 Forward Door Window with Slide

| Part Number | | Replaces OEM No. |
|--------------|-----|-------------------------------------------------|
| BK117-1004-1 | L/H | 117-24164-01 117-24655-01,05 |
| BK117-1004-2 | R/H | 117-24164-02 117-24163-72 117-24168-02,52 |

4 Aft Door Window (Snap Vent Optional)

| Part Number | | Replaces OEM No. |
|--------------|-----|---------------------------------|
| BK117-1005-3 | L/H | 117-24232-1,31 117-24297-1,5 |
| BK117-1005-4 | R/H | 117-24232-2,32 117-24297-2,6 |

2 Forward Door Window (Snap Vent Optional)

| Part Number | | Replaces OEM No. |
|--------------|-----|-------------------------------------------------|
| BK117-1004-3 | L/H | 117-24164-01 117-24655-01,05 |
| BK117-1004-4 | R/H | 117-24164-02 117-24163-72 117-24168-02,52 |

5 Aft Cabin Window with Slide

| Part Number | | Replaces OEM No. |
|--------------|-----|---------------------------------|
| BK117-1006-1 | L/H | 117-22522-01,51 117-22581-01 |
| BK117-1006-2 | R/H | 117-22522-02,52 117-22581-02 |

3 Aft Door Window with Slide

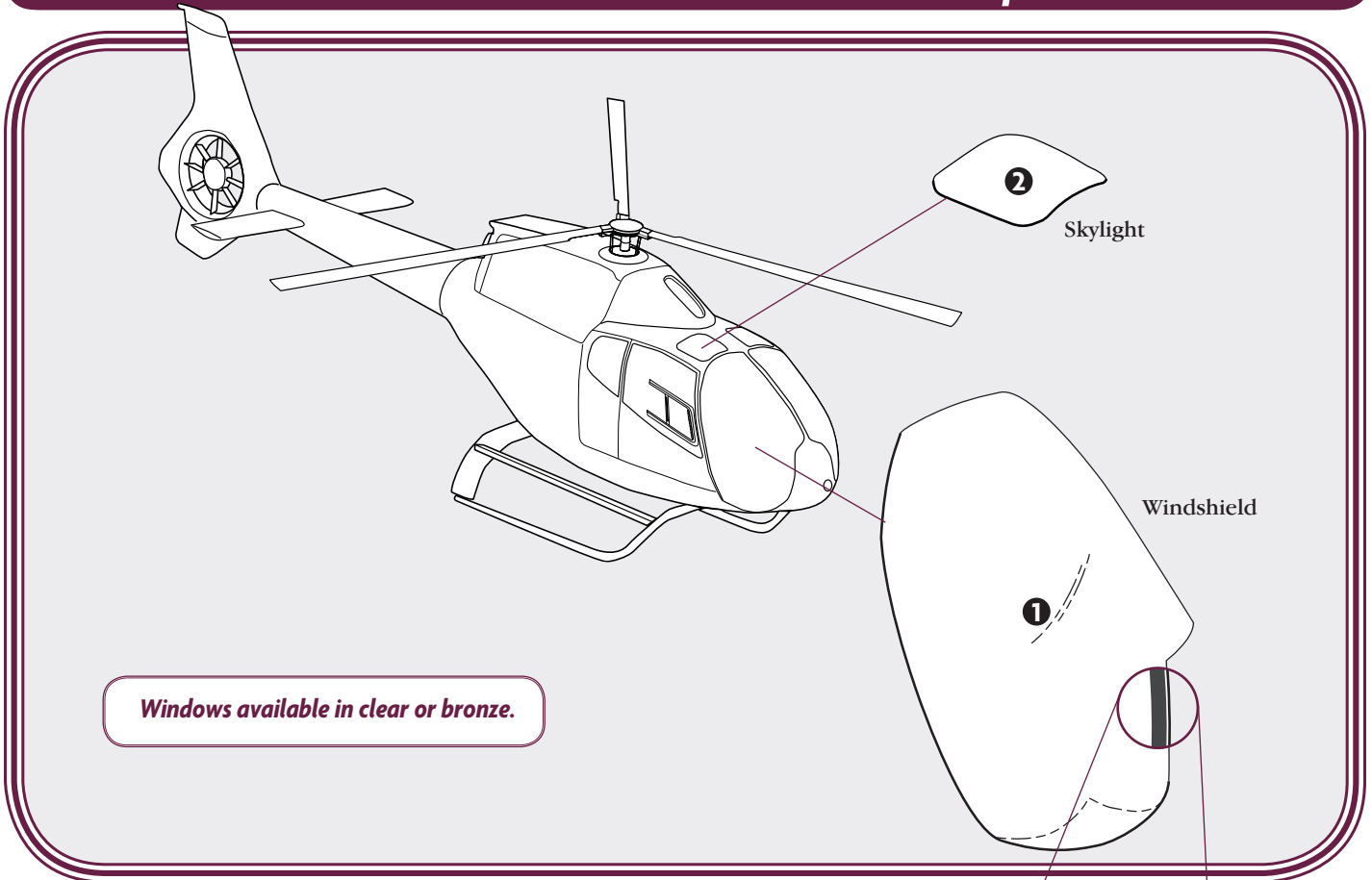
| Part Number | | Replaces OEM No. |
|--------------|-----|---------------------------------|
| BK117-1005-1 | L/H | 117-24232-1,31 117-24297-1,5 |
| BK117-1005-2 | R/H | 117-24232-2,32 117-24297-2,6 |

6 Aft Cabin Window (Snap Vent Optional)

| Part Number | | Replaces OEM No. |
|--------------|-----|---------------------------------|
| BK117-1006-3 | L/H | 117-22522-01,51 117-22581-01 |
| BK117-1006-4 | R/H | 117-22522-02,52 117-22581-02 |

Replacement Windows for the Helicopter World

Eurocopter Model EC120B



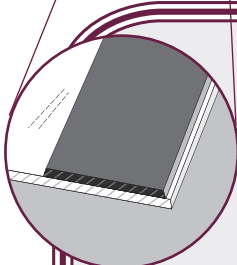
Windows available in clear or bronze.

1 Windshield

| Part Number | | Replaces OEM No. |
|--------------|-----|------------------|
| EC120-1001-1 | L/H | C561S1101202 |
| EC120-1001-2 | R/H | C561S2101202 |

2 Skylight

| Part Number | | Replaces OEM No. |
|--------------|-----|------------------|
| EC120-1003-1 | L/H | C561S3101202 |
| | | C561S3101203 |
| EC120-1003-2 | R/H | C561S4101202 |
| | | C561S4101203 |



**Optional
Crack Resistant
Edging**

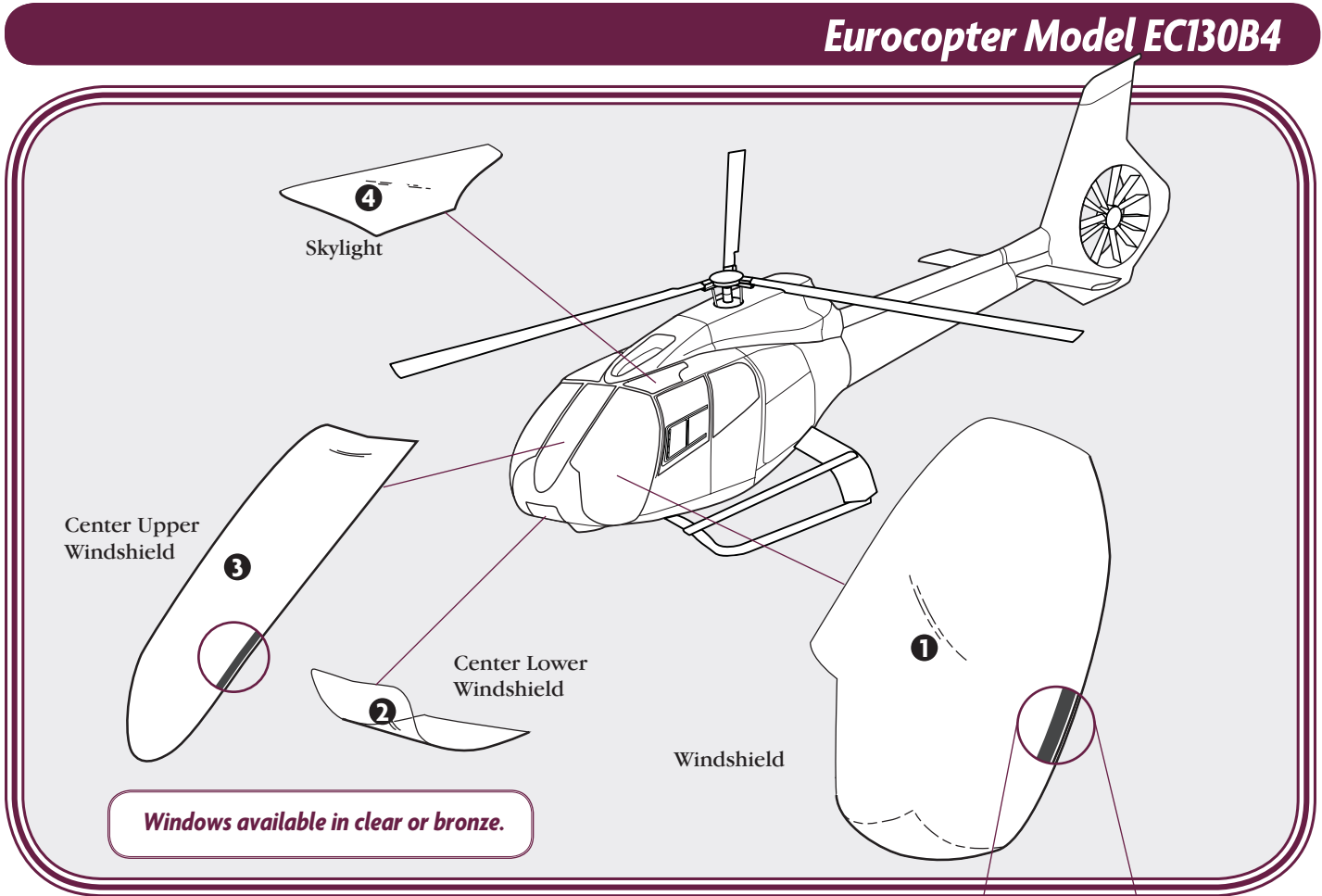
Available on all
EC120 & EC130
Windows



TECH-TOOL PLASTICS, INC.

7800 Skyline Park Drive • Fort Worth, Texas 76108 • www.tech-tool.com

Eurocopter Model EC130B4



Windows available in clear or bronze.

1 Windshield

| Part Number | | Replaces OEM No. |
|--------------|-----|------------------|
| EC120-1001-1 | L/H | 350A25-9001-00 |
| EC120-1001-2 | R/H | 350A25-9000-00 |

2 Center Lower Windshield

| Part Number | Replaces OEM No. |
|--------------|------------------|
| EC130-2002-1 | 350A25-9013-00 |

3 Center Upper Windshield

| Part Number | Replaces OEM No. |
|--------------|------------------|
| EC130-2001-1 | 350A25-9004-00 |

4 Skylight

| Part Number | | Replaces OEM No. |
|--------------|-----|------------------|
| EC130-2003-1 | L/H | 350A25-9003-00 |
| EC130-2003-2 | R/H | 350A25-9002-00 |

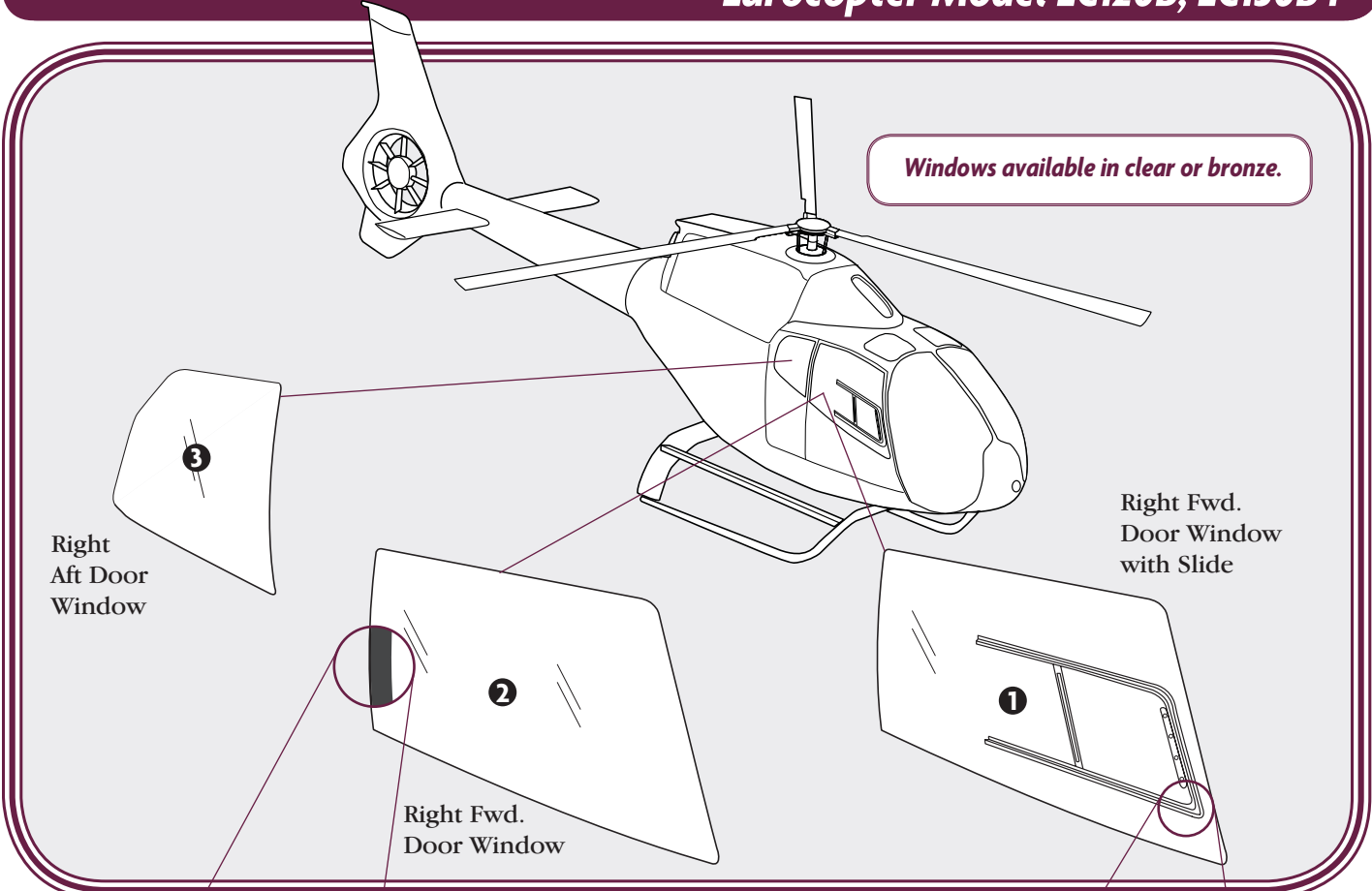
**Optional
Crack Resistant
Edging**

Available on all
EC120 & EC130
Windows

Replacement Windows for the Helicopter World

Eurocopter Model EC120B, EC130B4

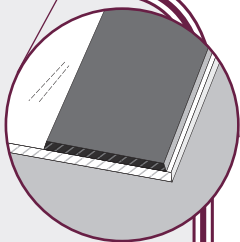
Windows available in clear or bronze.



Right Aft Door Window

Right Fwd. Door Window with Slide

Right Fwd. Door Window



Optional Crack Resistant Edging

Available on all EC120 & EC130 Windows

1 Right Fwd. Door Window w/Slide

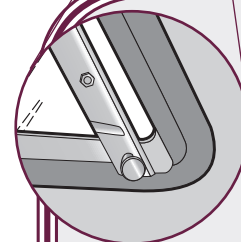
| Part Number | | Replaces OEM No. |
|--------------|-----|------------------|
| EC120-1006-2 | R/H | C563S1110051 |
| | | C563S1110053 |
| | | C563S1110054 |

2 Right Fwd. Door Window

| Part Number | | Replaces OEM No. |
|--------------|-----|------------------|
| EC120-1006-4 | R/H | Tech-Tool Design |

3 Right Aft Door Window

| Part Number | | Replaces OEM No. |
|--------------|-----|------------------|
| EC120-1007-2 | R/H | C563S5101051 |
| | | C563S5101052 |



Lock Option EC120 - EC130

Latch keeps sliding windows from blowing open during flight and reduces pilferage when helicopter is unattended.

Part No.
TTPL-120-1 L/H
TTPL-120-2 L/H



TECH-TOOL PLASTICS, INC.

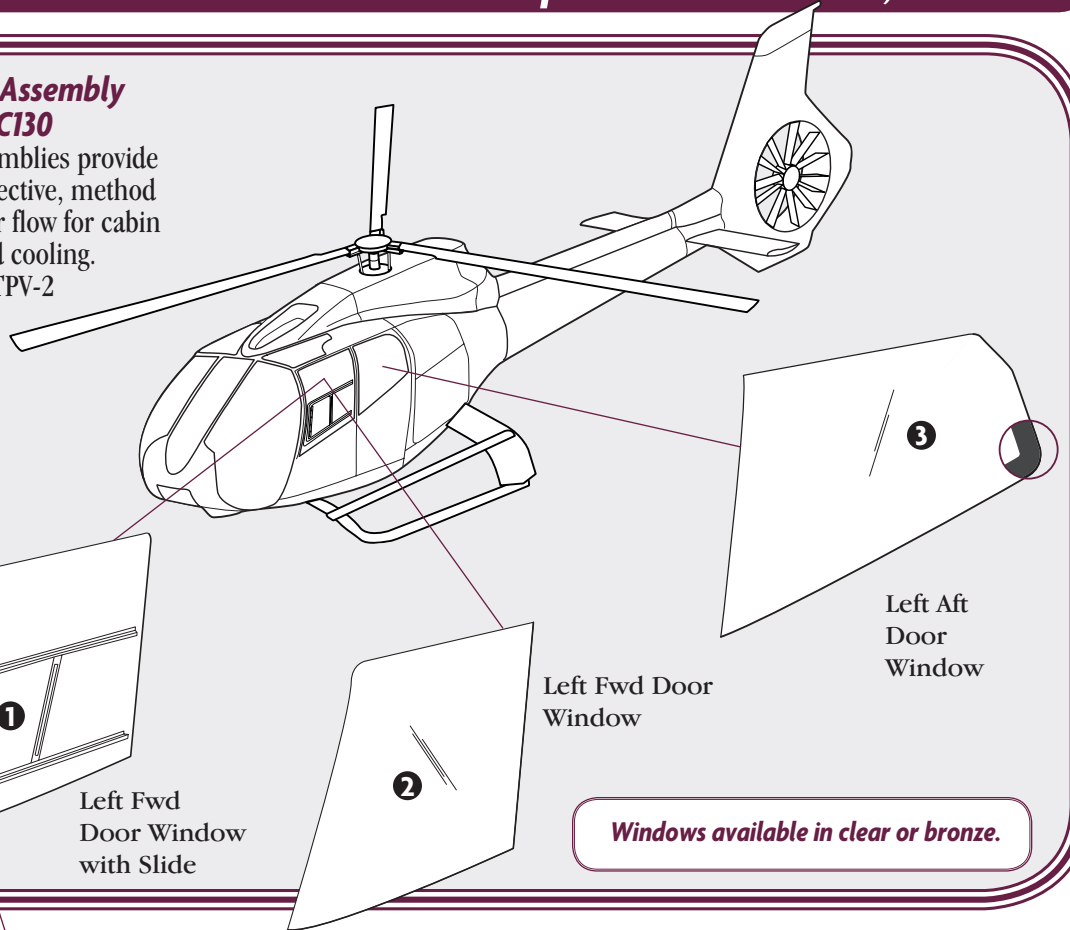
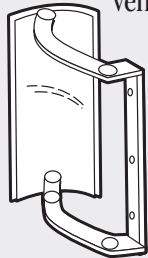
7800 Skyline Park Drive • Fort Worth, Texas 76108 • www.tech-tool.com

Eurocopter Model EC120B, EC130B4

Window Vent Assembly EC120 - EC130

Tech-Tool Vent Assemblies provide an efficient, cost-effective, method to control outside air flow for cabin ventilation and cooling.

Part No. TTPV-2



Windows available in clear or bronze.

Lock Option EC120 - EC130

Latch keeps sliding windows from blowing open during flight and reduces pilferage when helicopter is unattended.

Part No.
TTPL-120-1 L/H
TTPL-120-2 L/H

1 Left Fwd Door Window w/Slide

| Part Number | | Replaces OEM No. |
|--------------|-----|------------------|
| EC120-1004-1 | L/H | C563S8150051 |
| | | C563S8150053 |
| | | C563S8150054 |

2 Left Fwd Door Window

| Part Number | | Replaces OEM No. |
|--------------|-----|------------------|
| EC120-1004-3 | L/H | Tech-Tool Design |

3 Left Aft Door Window

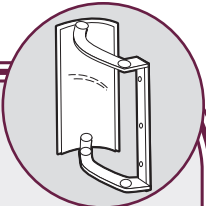
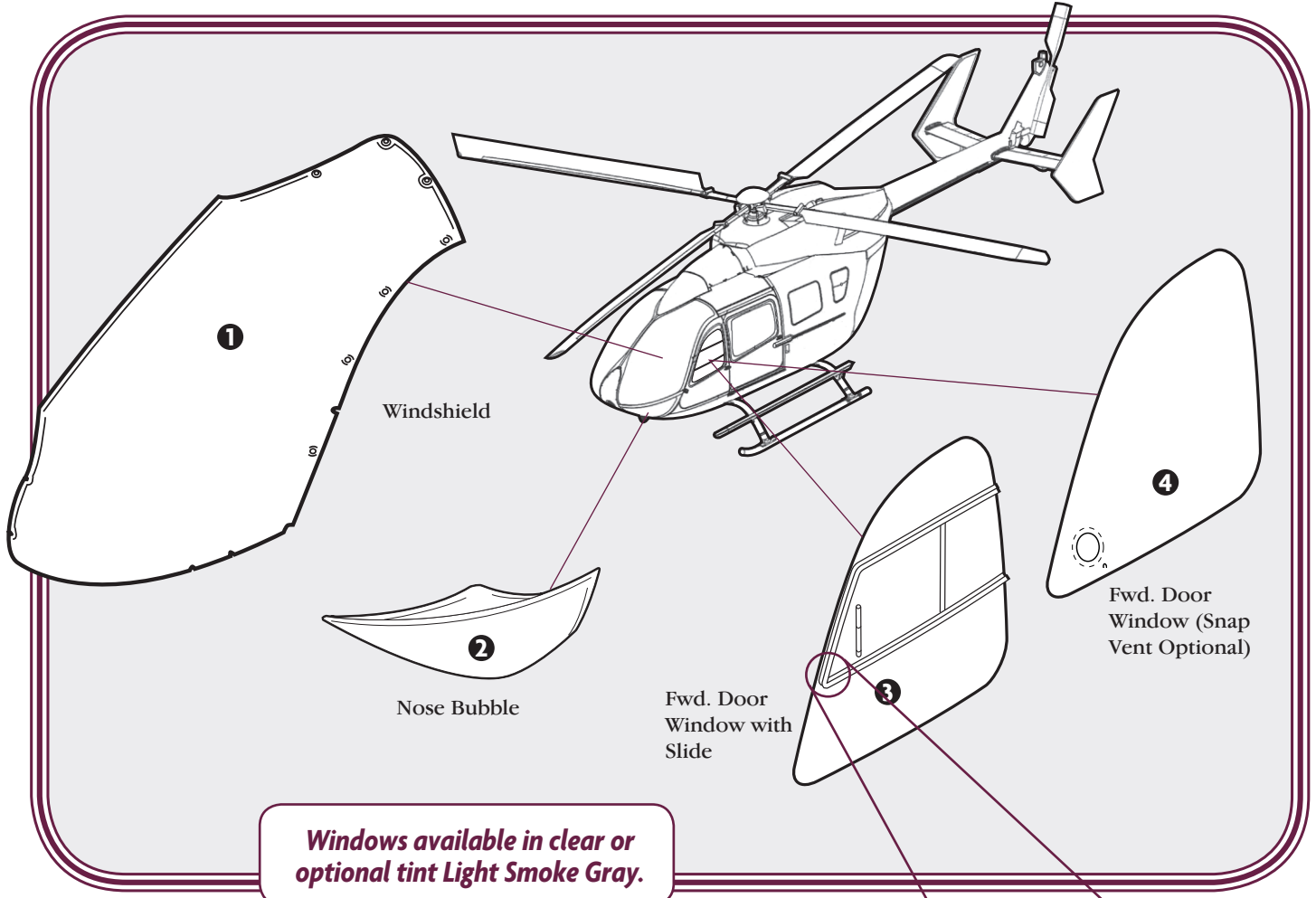
| Part Number | | Replaces OEM No. |
|--------------|-----|------------------|
| EC120-1005-1 | L/H | C563S6030202 |
| | | C563S6130204 |

Optional Crack Resistant Edging

Available on all
EC120 & EC130
Windows

Replacement Windows for the Helicopter World

Eurocopter Model EC135P1, P2, P2+, T1, T2, T2+



Window Vent Assembly EC135 - EC145

Tech-Tool Vent Assemblies provide an efficient, cost-effective, method to control outside air flow for cabin ventilation and cooling.

Part No. TTPV-2

1 Windshield

| Part Number | | Replaces OEM No. |
|--------------|-----|------------------------------|
| EC135-1001-1 | L/H | L531M00X1003 or L561M10X2001 |
| EC135-1001-2 | R/H | L531M00X1004 or L561m10X2002 |

2 Nose Bubble

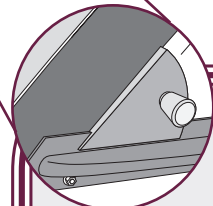
| Part Number | | Replaces OEM No. |
|--------------|-----|------------------------------|
| EC135-1002-1 | L/H | L513M00X1020 or L561M10X2051 |
| EC135-1002-2 | R/H | L513M00X1020 or L561M10X2052 |

3 Forward Door Window with Slide

| Part Number | | Replaces OEM No. |
|--------------|-----|------------------------------|
| EC135-1004-1 | L/H | L563M10X2021 or L563M10X2025 |
| EC135-1004-2 | R/H | L563M10X2022 or L563M10X2026 |

4 Forward Door Window (Snap Vent Optional)

| Part Number | | Replaces OEM No. |
|--------------|-----|------------------|
| EC135-1004-5 | L/H | L563M10X2011 |
| EC135-1004-6 | R/H | L563M10X2031 |



Sliding Window Latch EC135 - EC145

Latch keeps sliding windows from blowing open during flight and reduces pilferage when helicopter is unattended.

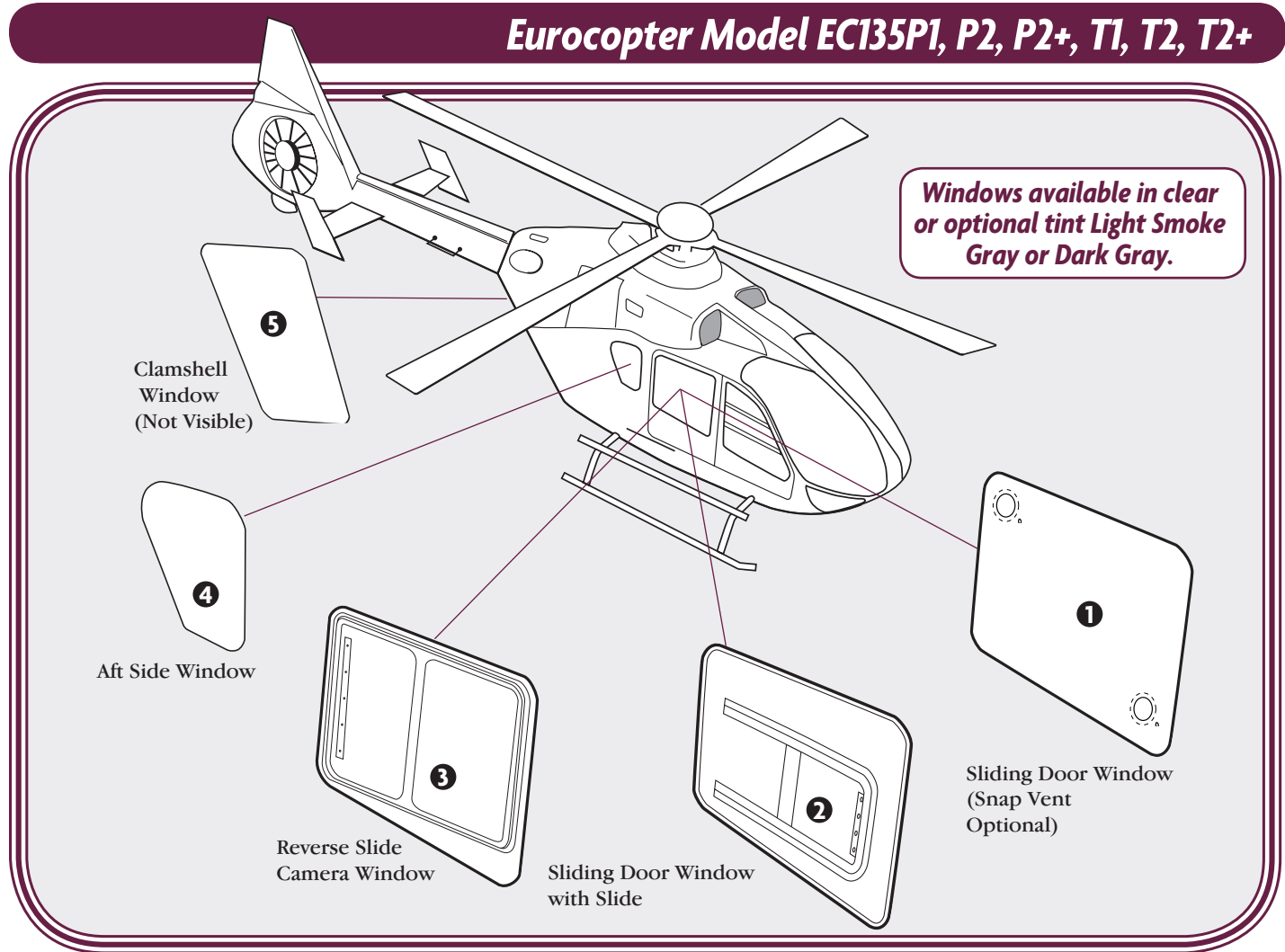
Part No.
TTPL-135-1 L/H
TTPL-135-2 R/H



TECH-TOOL PLASTICS, INC.

7800 Skyline Park Drive • Fort Worth, Texas 76108 • www.tech-tool.com

Eurocopter Model EC135P1, P2, P2+, T1, T2, T2+



Windows available in clear or optional tint Light Smoke Gray or Dark Gray.

1 Sliding Door Window (Snap Vent Optional)

| Part Number | | Replaces OEM No. |
|--------------|-----|------------------------------|
| EC135-1005-1 | L/H | L521M00X1060 or L563M20X2011 |
| EC135-1005-2 | R/H | L521M00X1061 or L563M20X2012 |

5 Clamshell Window

| Part Number | | Replaces OEM No. |
|--------------|-----|------------------|
| EC135-1008-1 | L/H | L521M00x1001 |
| EC135-1008-2 | R/H | L521M00X1002 |

2 Sliding Door Window with Slide

| Part Number | | Replaces OEM No. |
|--------------|-----|------------------|
| EC135-1005-3 | L/H | Tech-Tool Design |
| EC135-1005-4 | R/H | |

3 Reverse Slide Camera Window

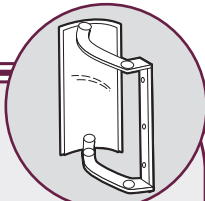
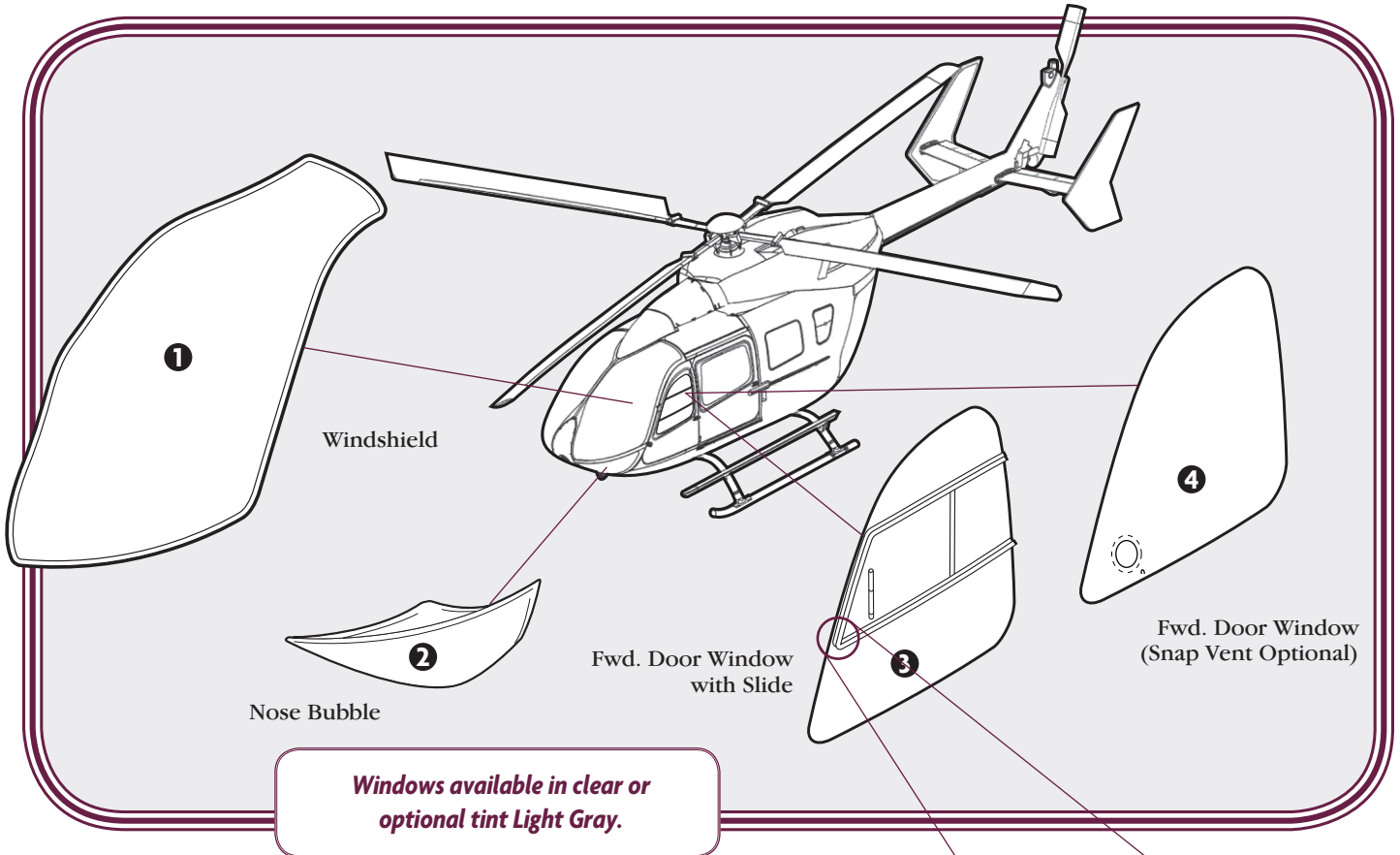
| Part Number | | Replaces OEM No. |
|--------------|-----|------------------|
| EC135-1006-1 | L/H | Tech-Tool Design |
| EC135-1006-2 | R/H | |

4 Aft Side Window

| Part Number | | Replaces OEM No. |
|--------------|-----|------------------|
| EC135-1007-1 | L/H | L521M00x1021 |
| EC135-1007-2 | R/H | L521M00X1022 |

Replacement Windows for the Helicopter World

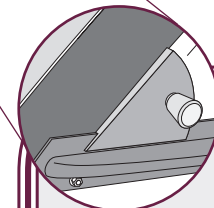
Eurocopter Model BK117 C-2 (EC145)



Window Vent Assembly EC135 - EC145

Tech-Tool Vent Assemblies provide an efficient, cost-effective, method to control outside air flow for cabin ventilation and cooling.

Part No. TTPV-2



Sliding Window Latch EC135 - EC145

Latch keeps sliding windows from blowing open during flight and reduces pilferage when helicopter is unattended.

Part No.
TTPL-135-1 L/H
TTPL-135-2 R/H

1 Windshield

| Part Number | | Replaces OEM No. |
|--------------|-----|------------------|
| EC145-1001-1 | L/H | B561M10X1001 |
| EC145-1001-2 | R/H | B561M10X1002 |

2 Nose Bubble

| Part Number | | Replaces OEM No. |
|--------------|-----|------------------|
| EC145-1002-1 | L/H | B561M10X2001 |
| EC145-1002-2 | R/H | B561M10X2002 |

3 Forward Door Window with Slide

| Part Number | | Replaces OEM No. |
|--------------|-----|------------------|
| EC145-1004-1 | L/H | B563M20X2003 |
| EC145-1004-2 | R/H | B563M20X2004 |

4 Forward Door (Snap Vents Optional)

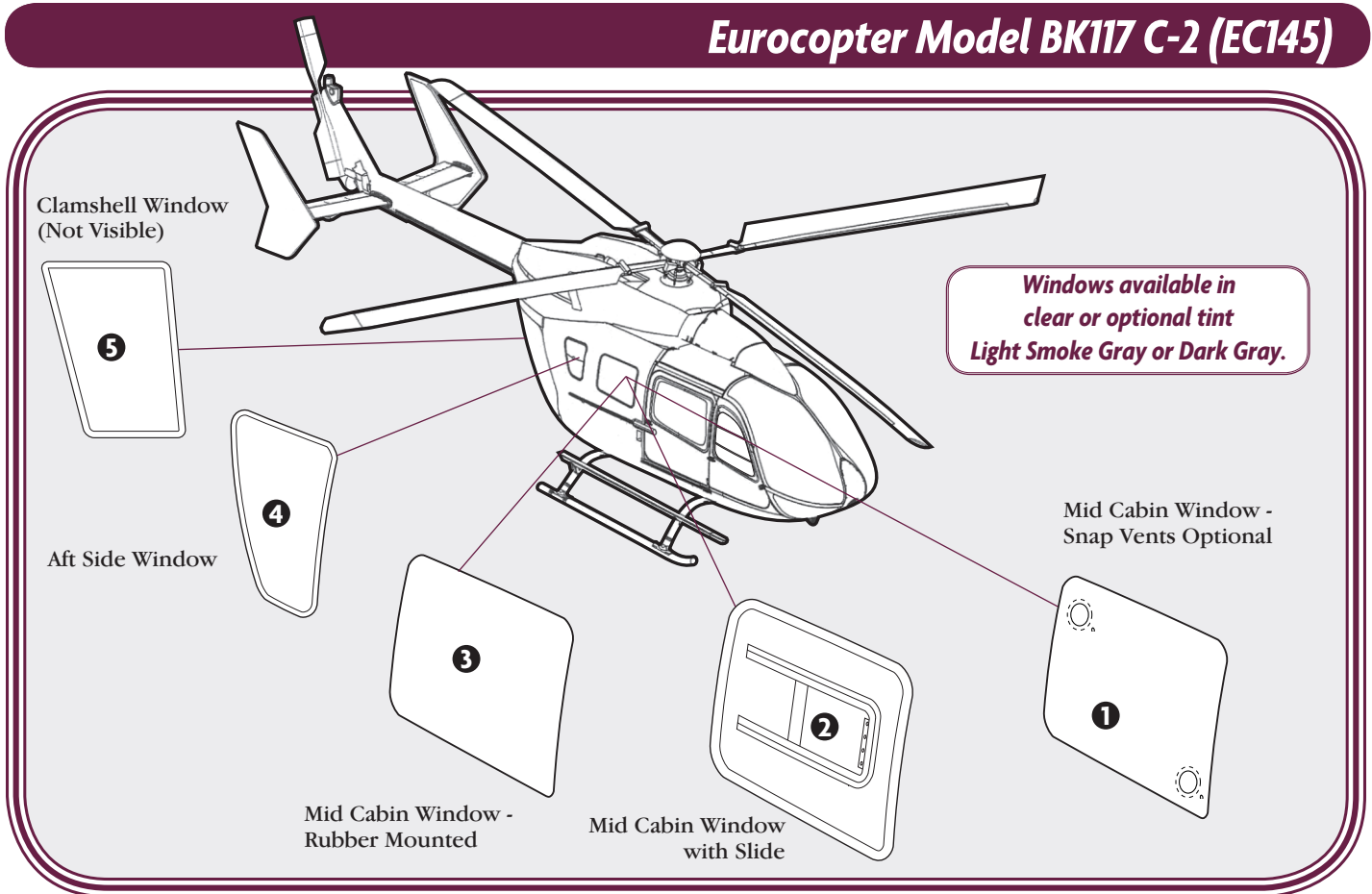
| Part Number | | Replaces OEM No. |
|--------------|-----|------------------|
| EC145-1004-5 | L/H | Tech-Tool Design |
| EC145-1004-6 | R/H | |



TECH-TOOL PLASTICS, INC.

7800 Skyline Park Drive • Fort Worth, Texas 76108 • www.tech-tool.com

Eurocopter Model BK117 C-2 (EC145)



1 Mid Cabin Window (Snap Vents Optional)

| Part Number | | Replaces OEM No. |
|--------------|-----|------------------|
| EC145-1006-1 | L/H | B562K1751-053 |
| EC145-1006-2 | R/H | B562K1751-054 |

5 Clamshell Window

| Part Number | | Replaces OEM No. |
|--------------|-----|------------------|
| EC145-1008-1 | L/H | B563M30X1001 |
| EC145-1008-2 | R/H | B563M30X1002 |

2 Mid Cabin Window with Slide

| Part Number | | Replaces OEM No. |
|--------------|-----|------------------|
| EC145-1006-3 | L/H | Tech-Tool Design |
| EC145-1006-4 | R/H | |

3 Mid Cabin Window (Rubber Mount)

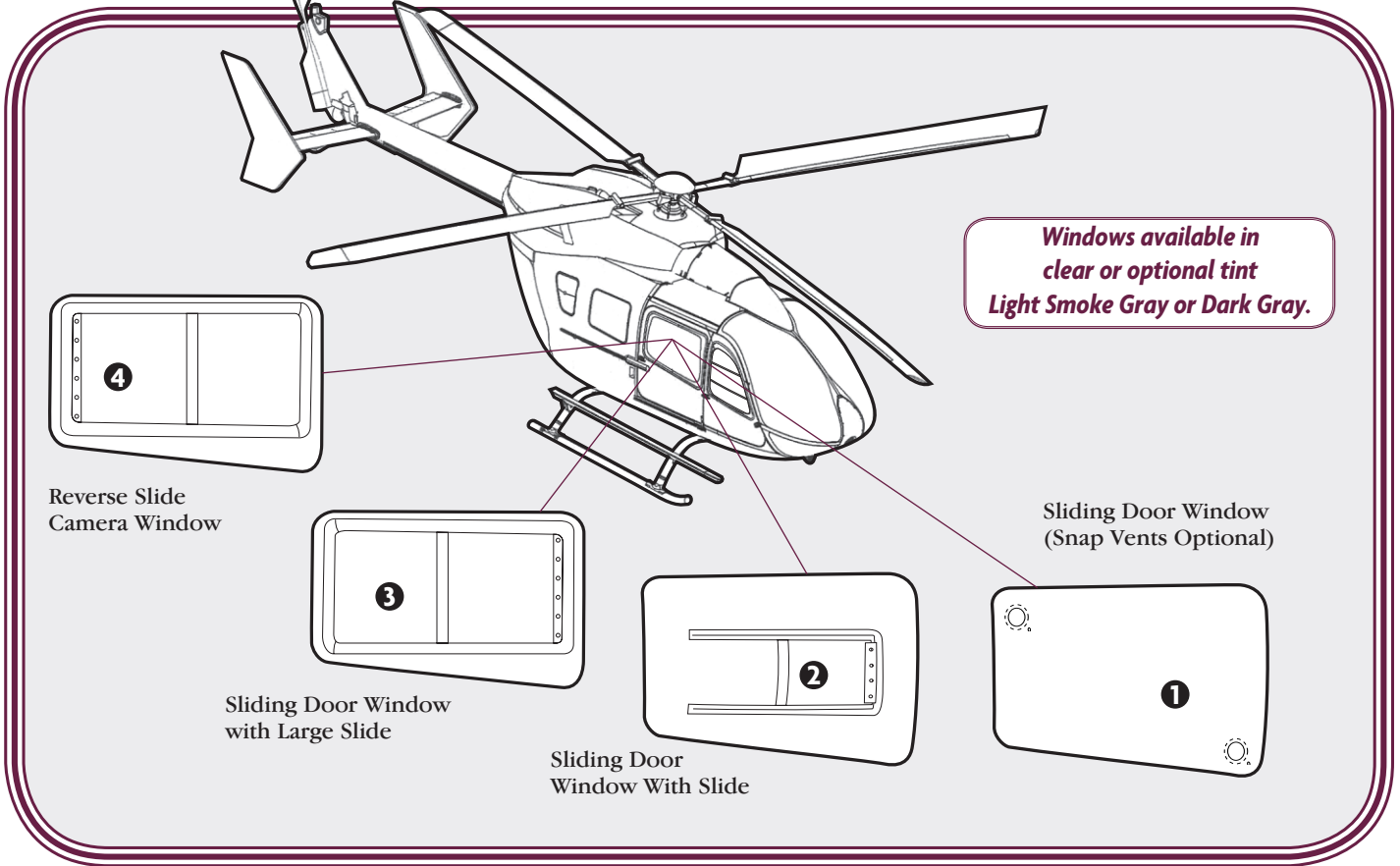
| Part Number | | Replaces OEM No. |
|--------------|-----|------------------|
| EC145-1006-5 | L/H | B562M10X1001 |
| EC145-1006-6 | R/H | B562m10X1002 |

4 Aft Cabin Window

| Part Number | | Replaces OEM No. |
|--------------|-----|------------------|
| EC145-1007-1 | L/H | B562K1752-053 |
| EC145-1007-2 | R/H | B562K1752-054 |

Replacement Windows for the Helicopter World

Eurocopter Model BK117 C-2 (EC145)



1 Sliding Door Window (Snap Vents Optional)

| Part Number | | Replaces OEM No. |
|--------------|-----|------------------|
| EC145-1005-1 | L/H | B563M20X3001 |
| EC145-1005-2 | R/H | B563M20X3002 |

2 Sliding Door Window with Slide

| Part Number | | Replaces OEM No. |
|--------------|-----|------------------|
| EC145-1005-3 | L/H | Tech-Tool Design |
| EC145-1005-4 | R/H | |

3 Sliding Door Window with Large Slide

| Part Number | | Replaces OEM No. |
|--------------|-----|------------------|
| EC145-1009-1 | L/H | Tech Tool Design |
| EC145-1009-2 | R/H | |

4 Sliding Door Reverse Slide Camera Window

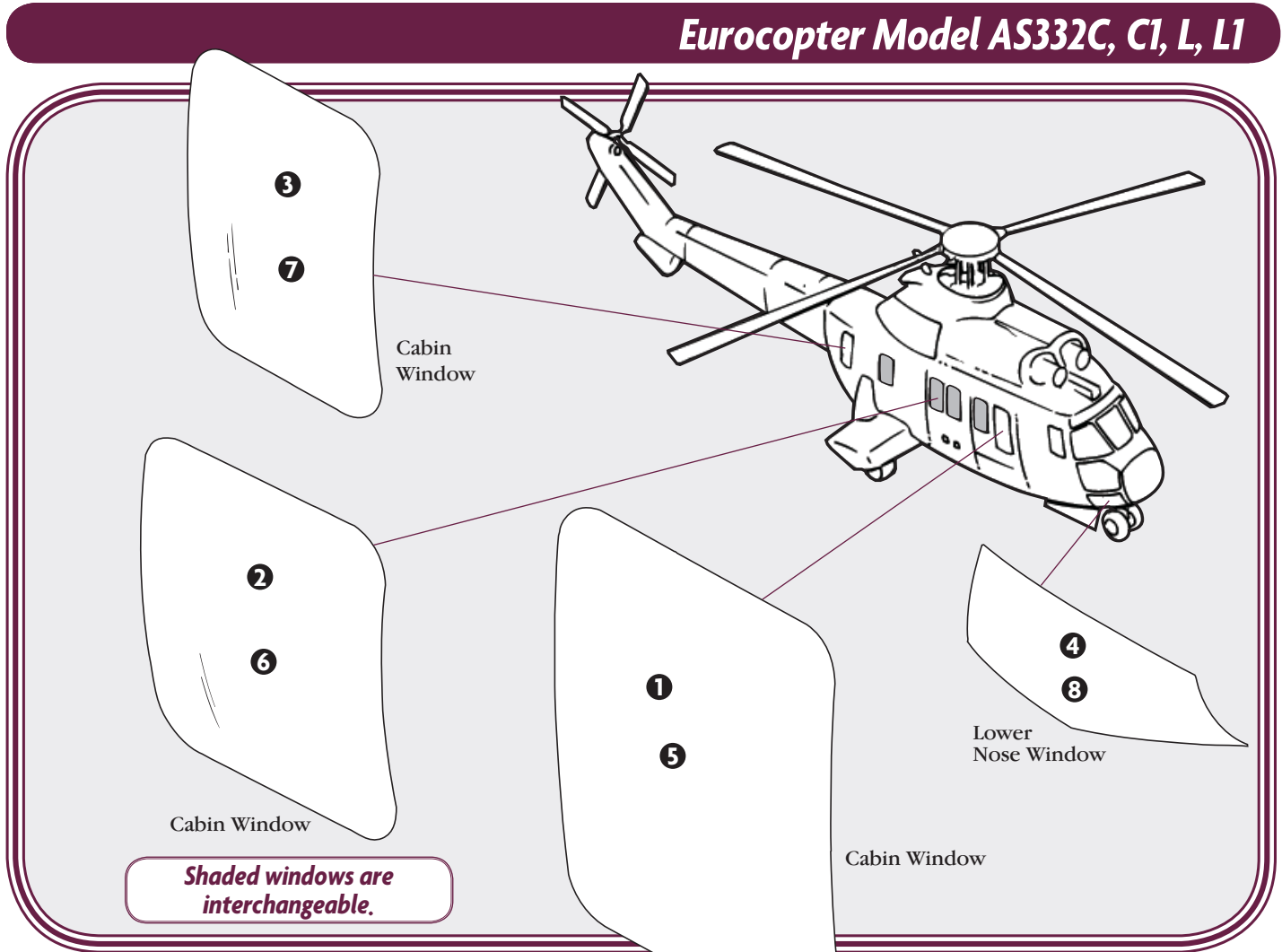
| Part Number | | Replaces OEM No. |
|--------------|-----|------------------|
| EC145-1010-1 | L/H | Tech Tool Design |
| EC145-1010-2 | R/H | |



TECH-TOOL PLASTICS, INC.

7800 Skyline Park Drive • Fort Worth, Texas 76108 • www.tech-tool.com

Eurocopter Model AS332C, C1, L, L1



Shaded windows are interchangeable.

1 Cabin Window (Clear)

| Part Number | Replaces OEM No. |
|---------------------|------------------|
| 332A-3001-1 L/H-R/H | 332A22-3013-20 |

2 Cabin Window (Clear)

| Part Number | Replaces OEM No. |
|---------------------|------------------|
| 332A-3002-1 L/H-R/H | 332A22-1201-20 |

3 Cabin Window (Clear)

| Part Number | Replaces OEM No. |
|-----------------|------------------|
| 332A-3003-1 L/H | 332A23-0150-20 |
| 332A-3003-2 R/H | 332A23-0150-34 |

4 Lower Nose Window (Clear)

| Part Number | Replaces OEM No. |
|-----------------|------------------|
| 332A-3005-1 L/H | 332A25-1006-24 |
| 332A-3005-2 R/H | 332A25-1006-25 |

5 Cabin Window (Light Gray Tint)

| Part Number | Replaces OEM No. |
|---------------------|------------------|
| 332A-3001-1 L/H-R/H | 332A22-3013-21 |

6 Cabin Window (Light Gray Tint)

| Part Number | Replaces OEM No. |
|---------------------|------------------|
| 332A-3002-1 L/H-R/H | 332A22-1201-21 |

7 Cabin Window (Light Gray Tint)

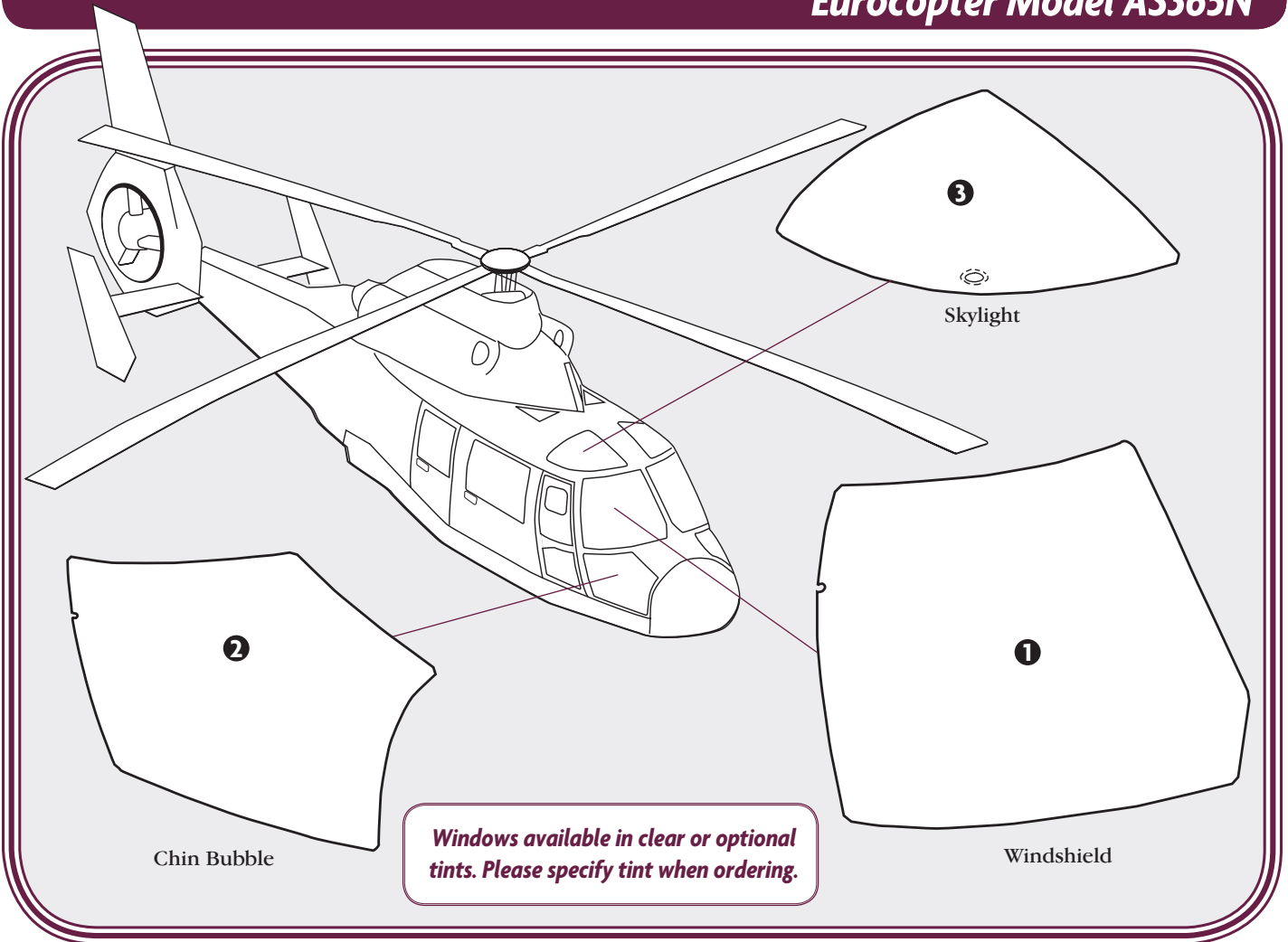
| Part Number | Replaces OEM No. |
|-----------------|------------------|
| 332A-3003-1 L/H | 332A23-0150-21 |
| 332A-3003-2 R/H | 332A23-0150-35 |

8 Lower Nose Window (Light Gray Tint)

| Part Number | Replaces OEM No. |
|-----------------|------------------|
| 332A-3005-1 L/H | 332A25-1006-26 |
| 332A-3005-2 R/H | 332A25-1006-27 |

Replacement Windows for the Helicopter World

Eurocopter Model AS365N



1 Windshield

| Part Number | | Replaces OEM No. |
|-------------|-----|-----------------------|
| 365-1001-1 | L/H | 365A25-3020-4601,4801 |
| 365-1001-2 | R/H | 365A25-3020-4701,4901 |

2 Chin Bubble

| Part Number | | Replaces OEM No. |
|-------------|-----|---------------------|
| 365-1002-1 | L/H | 365A25-3020-30,5401 |
| 365-1002-2 | R/H | 365A25-3020-31,3101 |

3 Skylight

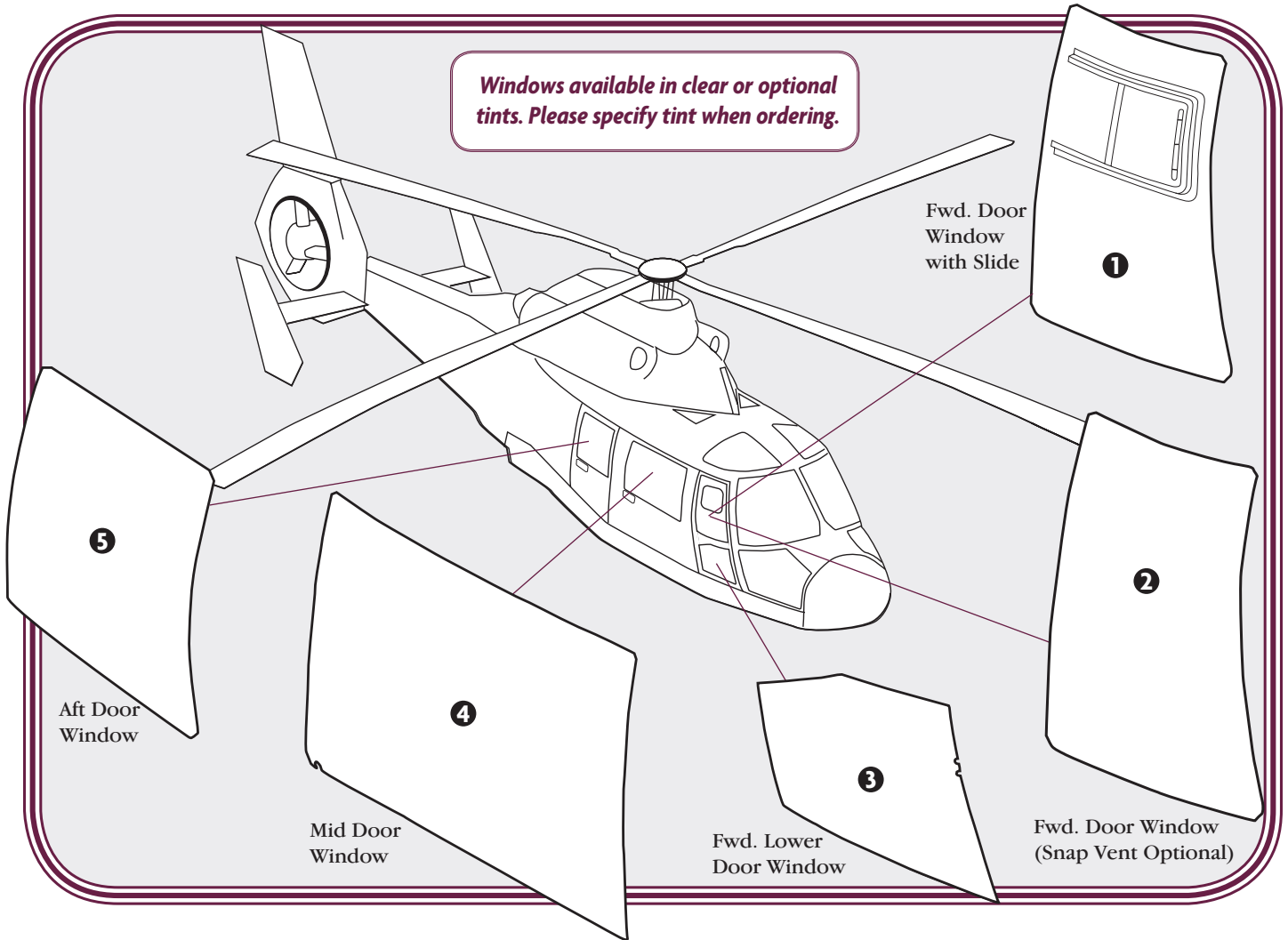
| Part Number | | Replaces OEM No. |
|-------------|-----|------------------|
| 365-1003-1 | L/H | 365A25-3020-36 |
| 365-1003-2 | R/H | 365A25-3020-37 |



TECH-TOOL PLASTICS, INC.

7800 Skyline Park Drive • Fort Worth, Texas 76108 • www.tech-tool.com

Eurocopter Model AS365N



1 Fwd. Door Window with Slide

| Part Number | | Replaces OEM No. |
|-------------|-----|------------------|
| 365-1004-1 | L/H | Tech-Tool Design |
| 365-1004-2 | R/H | |

2 Fwd. Door Window (Snap Vent Optional)

| Part Number | | Replaces OEM No. |
|-------------|-----|------------------|
| 365-1004-3 | L/H | Tech-Tool Design |
| 365-1004-4 | R/H | |

3 Fwd. Lower Door Window

| Part Number | | Replaces OEM No. |
|-------------|-----|------------------|
| 365-1005-1 | L/H | 365A25-3020-5001 |
| 365-1005-2 | R/H | 365A25-3020-5101 |

4 Mid Door Window

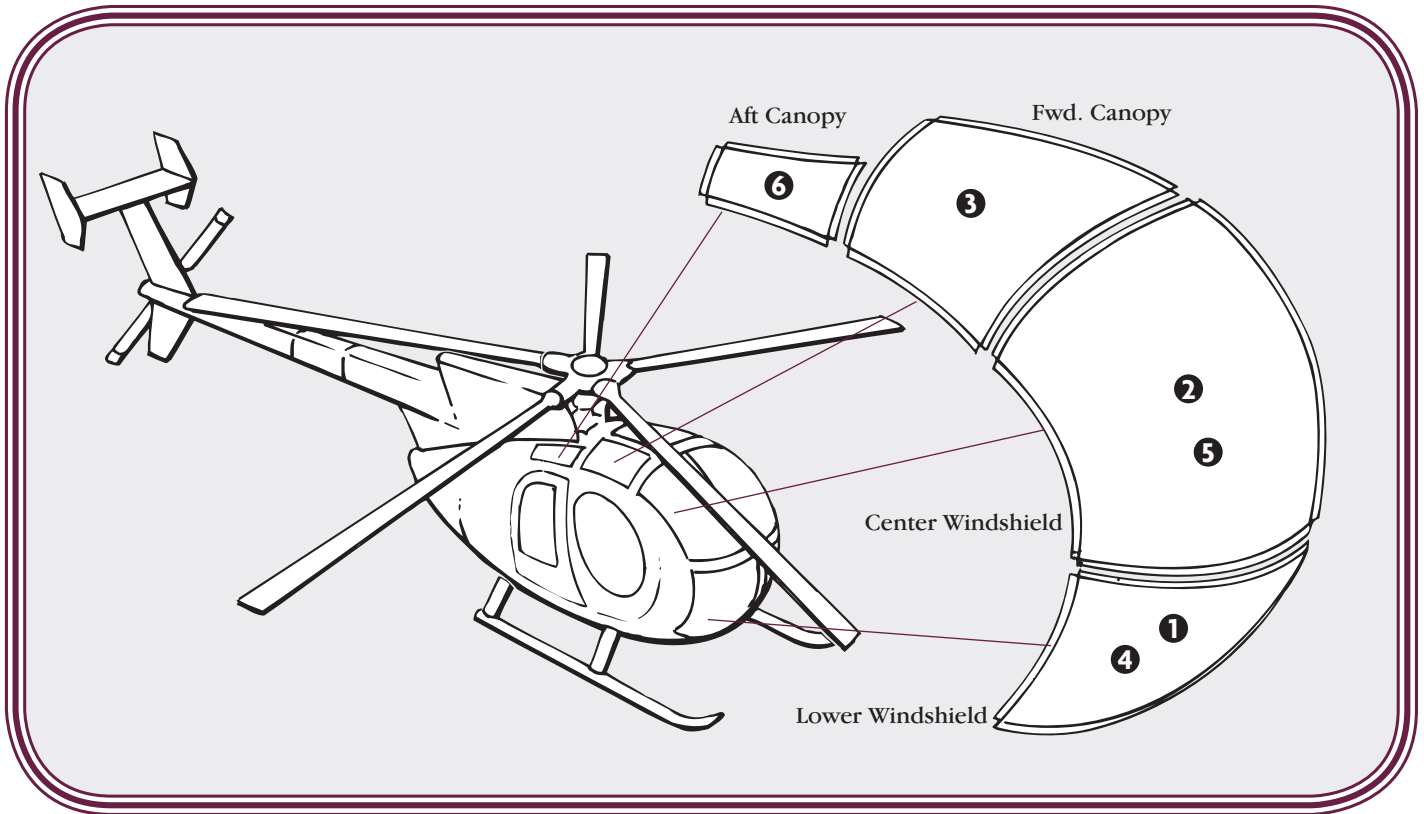
| Part Number | | Replaces OEM No. |
|-------------|-----|-----------------------|
| 365-1006-1 | L/H | 365A25-3020-6201,6301 |
| 365-1006-2 | R/H | 365A25-3020-6601,6701 |

5 Aft Door Window

| Part Number | | Replaces OEM No. |
|-------------|-----|-----------------------|
| 365-1007-1 | L/H | 365A25-3020-6401,6501 |
| 365-1007-2 | R/H | 365A25-3020-6801,6901 |

Replacement Windows for the Helicopter World

MD Helicopters Model 500C, D



1 Lower Windshield (Light Smoke Tint)

| Part Number | | Replaces OEM No. |
|-------------|-----|--------------------------------|
| 369-3501-1 | L/H | 369H2419-1,501 369A2403-505 |
| 369-3501-2 | R/H | 369H2419-2,502 369A2403-506 |

2 Center Windshield (Light Smoke Tint)

| Part Number | | Replaces OEM No. |
|-------------|-----|-------------------------------------------------|
| 369-3502-1 | L/H | 369H2418-11,501 369A2404-505,507, 705,707 |
| 369-3502-2 | R/H | 369H2418-2,502 369A2404-506,508, 706,708 |

3 Fwd. Canopy (Dark Tint)

| Part Number | | Replaces OEM No. |
|-------------|-----|--------------------|
| 369-3503-1 | L/H | 369H2410-1,501,901 |
| 369-3503-2 | R/H | 369H2410-2,502,902 |

4 Lower Windshield (Military Clear)

| Part Number | | Replaces OEM No. |
|-------------|-----|------------------------------|
| 369-3501-1 | L/H | 369H2419-503 369A2403-501 |
| 369-3501-2 | R/H | 369H2419-504 369A2403-502 |

5 Center Windshield (Military Clear)

| Part Number | | Replaces OEM No. |
|-------------|-----|----------------------------------|
| 369-3502-1 | L/H | 369H2418-503 369A2404-503,701 |
| 369-3502-2 | R/H | 369H2418-504 369A2404-502,702 |

6 Aft Canopy (Dark Tint)

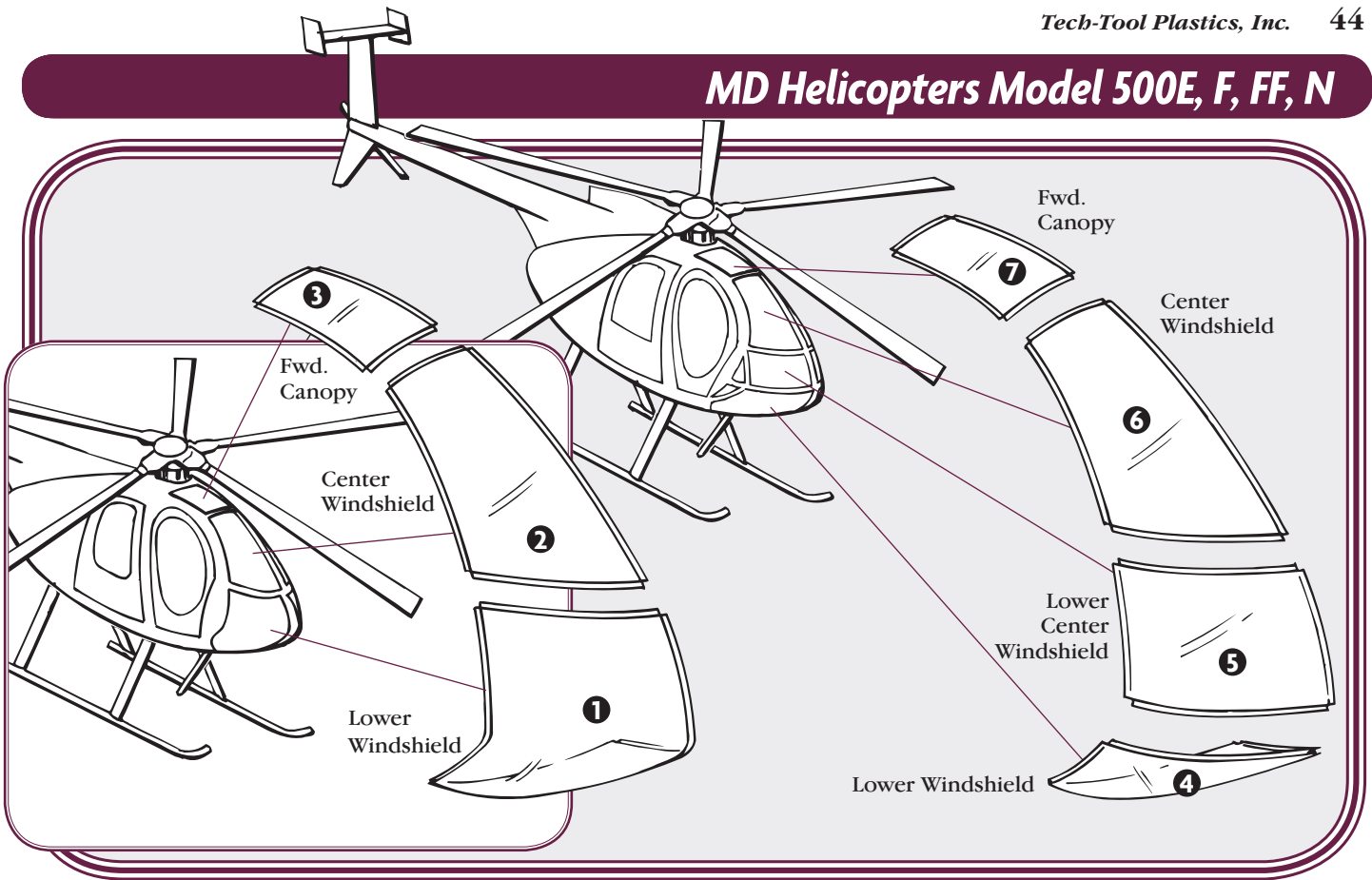
| Part Number | | Replaces OEM No. |
|--------------|-----|--------------------|
| 369-3504-1 | L/H | 369H3019-1,501,901 |
| 369-3504-R/H | | 369H3019-2,502,902 |



TECH-TOOL PLASTICS, INC.

7800 Skyline Park Drive • Fort Worth, Texas 76108 • www.tech-tool.com

MD Helicopters Model 500E, F, FF, N



Model E, F, FF, N
with one-piece lower windshield

Model E, F, FF
with two-piece lower windshield

1 Lower Windshield ★

| Part Number | | Replaces OEM No. |
|-------------|-----|--------------------|
| 369-4501-1 | L/H | 369D22430-1 ** |
| | | 369D22429-1 ** |
| | | 369D22430-501 ** |
| | | 369D22429-501 ** |
| | | 369D22418-1,101 ** |
| 369-4501-2 | R/H | 369D22430-2 ** |
| | | 69D22429-2 ** |
| | | 369D22430-502 ** |
| | | 369D22429-502 ** |
| | | 369D22418-2,102 ** |

2 Center Windshield ★

| Part Number | | Replaces OEM No. |
|-------------|-----|------------------------|
| 369-4502-1 | L/H | 369D22428-501 ** |
| | | 369D22417-1,101,103 ** |
| 369-4502-2 | R/H | 369D22428-502 ** |
| | | 369D22417-2,102,104 ** |

3 Fwd. Canopy (Dark Tint)

| Part Number | | Replaces OEM No. |
|-------------|-----|------------------|
| 369-3503-1 | L/H | 369H2410-501,901 |
| 369-3503-2 | R/H | 369H2410-502,902 |

4 Lower Windshield ★

| Part Number | | Replaces OEM No. |
|-------------|-----|------------------|
| 369-5501-1 | L/H | 369D22429-1,503* |
| 369-5501-2 | R/H | 369D22429-2,504* |

5 Lower Center Windshield ★

| Part Number | | Replaces OEM No. |
|-------------|-----|------------------|
| 369-5503-1 | L/H | 369D22430-1,503* |
| 369-5503-2 | R/H | 369D22430-2,504* |

6 Center Windshield ★

| Part Number | | Replaces OEM No. |
|-------------|-----|------------------|
| 369-5502-1 | L/H | 369D22428-1,503* |
| 369-5502-2 | R/H | 369D22428-2,504* |

7 Fwd. Canopy (Dark Tint)

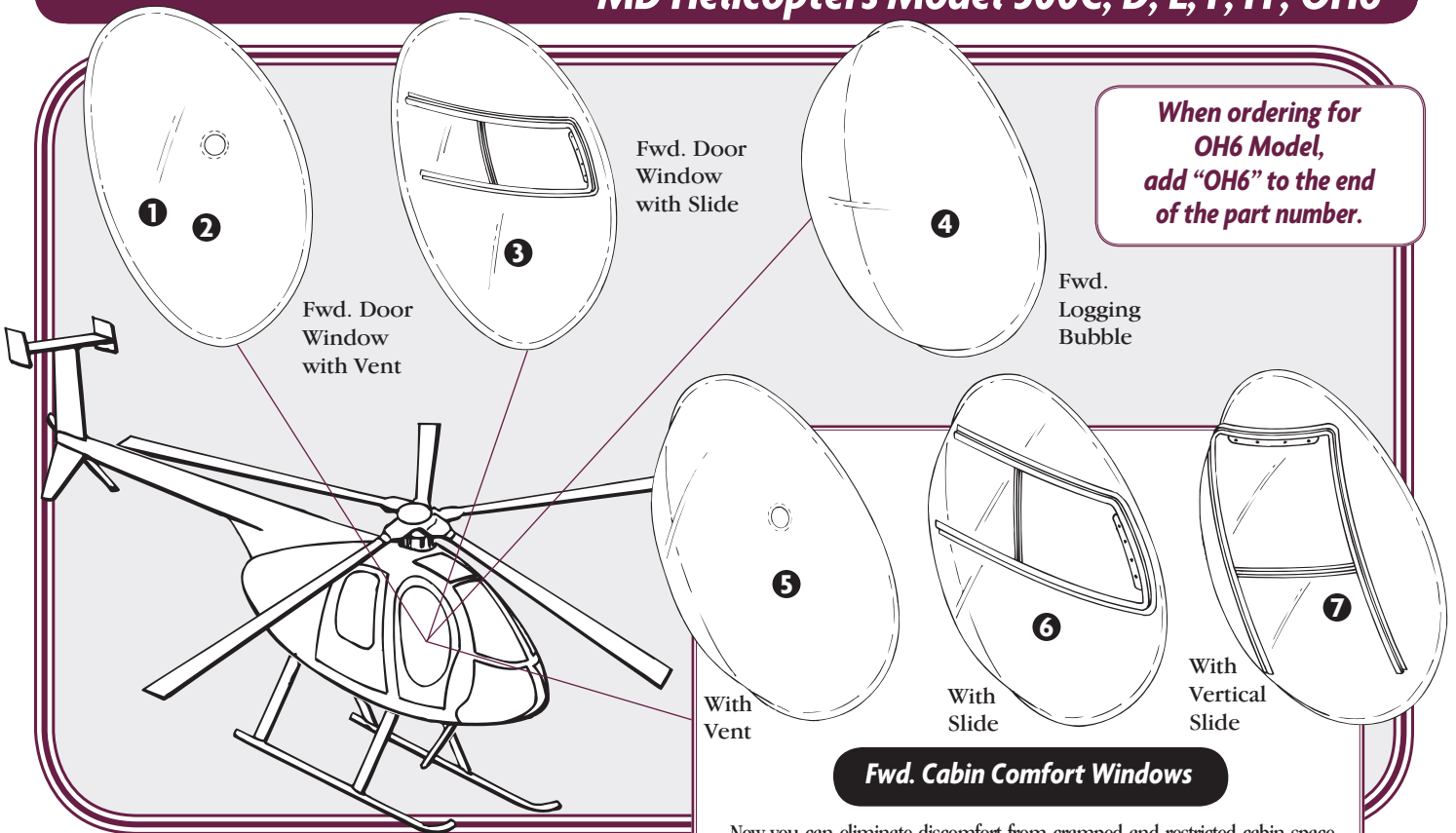
| Part Number | | Replaces OEM No. |
|-------------|-----|------------------|
| 369-3503-1 | L/H | 369H2410-501,901 |
| 369-3503-2 | R/H | 369H2410-502,902 |

★ For these windows, specify
Light Smoke or Military Clear.

*Effective E Models thru S/N 229, FF Model S/N 1 thru 59
**Effective E Models S/N 230 and up, FF Model S/N 60 and up

Replacement Windows for the Helicopter World

MD Helicopters Model 500C, D, E, F, FF, OH6



Now you can eliminate discomfort from cramped and restricted cabin space with Tech-Tool's Cabin Comfort Windows. Our windows are "Wedged" and not "Bubbled" to provide passengers/crew more shoulder and elbow room than standard factory windows.

1 Fwd. Door Window with Vent (Military Clear)

| Part Number | | Replaces OEM No. |
|-------------|-----|----------------------|
| 369-3505-1 | L/H | 369H2024-61,81 |
| | | 369H2046-501,503,505 |
| 369-3505-2 | R/H | 369H2024-62,82 |
| | | 369H2046-502,504,506 |

2 Fwd. Door Window with Vent (Light Smoke Tint)

| Part Number | | Replaces OEM No. |
|-------------|-----|---------------------|
| 369-3505-1 | L/H | 369H2024-1,31,51,71 |
| 369-3505-2 | R/H | 369H2024-2,32,52,72 |

3 Fwd. Door Window with Slide

| Part Number | | Replaces OEM No. |
|-------------|-----|------------------|
| 369-3505-3 | L/H | Tech-Tool Design |
| 369-3305-4 | R/H | |

4 Fwd. Logging Bubble ★

| Part Number | | Replaces OEM No. |
|-------------|-----|------------------|
| 369-3507-1 | L/H | Tech-Tool Design |
| 369-3507-2 | R/H | |

5 Fwd. Cabin Comfort Window with Vent ★

| Part Number | | Replaces OEM No. |
|-------------|-----|------------------|
| 369-4505-1 | L/H | Tech-Tool Design |
| 369-4505-2 | R/H | |

6 Fwd. Cabin Comfort Window with Slide ★

| Part Number | | Replaces OEM No. |
|-------------|-----|------------------|
| 369-4505-3 | L/H | Tech-Tool Design |
| 369-4505-4 | R/H | |

7 Fwd. Cabin Comfort Window with Vertical Slide ★

| Part Number | | Replaces OEM No. |
|-------------|-----|------------------|
| 369-4505-7 | L/H | Tech-Tool Design |
| 369-4505-8 | R/H | |

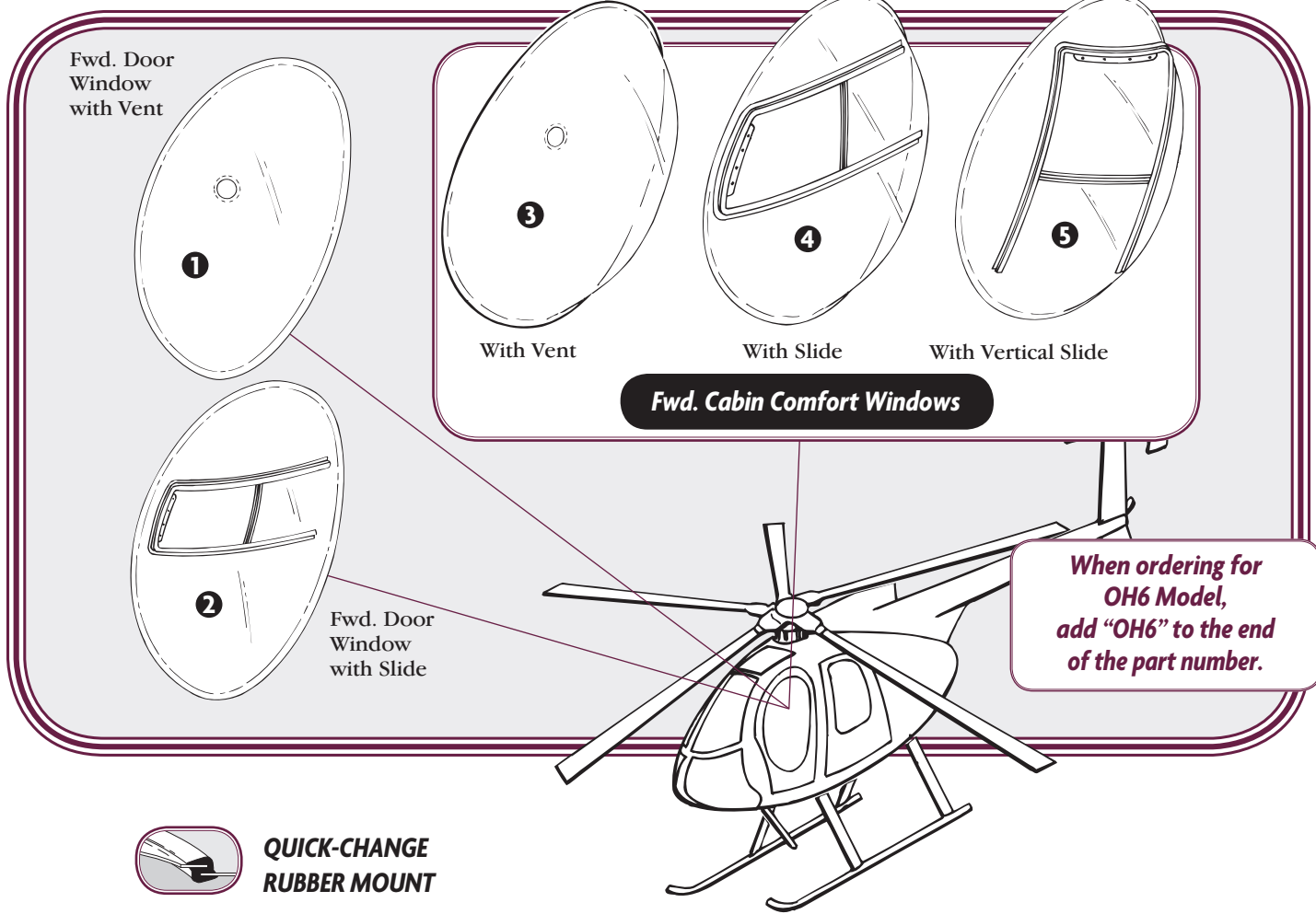
★ For these windows, specify Light Smoke or Military Clear.



TECH-TOOL PLASTICS, INC.

7800 Skyline Park Drive • Fort Worth, Texas 76108 • www.tech-tool.com

MD Helicopters Model 500C, D, E, F, FF, OH6



QUICK-CHANGE RUBBER MOUNT

1 Fwd. Door Window with Vent ★

| Part Number | | Replaces OEM No. |
|-------------|-----|------------------|
| 369-3505-41 | L/H | Tech-Tool Design |
| 369-3505-42 | R/H | |

2 Fwd. Door Window with Slide ★

| Part Number | | Replaces OEM No. |
|-------------|-----|------------------|
| 369-3505-43 | L/H | Tech-Tool Design |
| 369-3505-44 | R/H | |

3 Fwd. Cabin Comfort Window with Vent ★

| Part Number | | Replaces OEM No. |
|-------------|-----|------------------|
| 369-4505-41 | L/H | Tech-Tool Design |
| 369-4505-42 | R/H | |

4 Fwd. Cabin Comfort Window with Slide ★

| Part Number | | Replaces OEM No. |
|-------------|-----|------------------|
| 369-4505-43 | L/H | Tech-Tool Design |
| 369-4505-44 | R/H | |

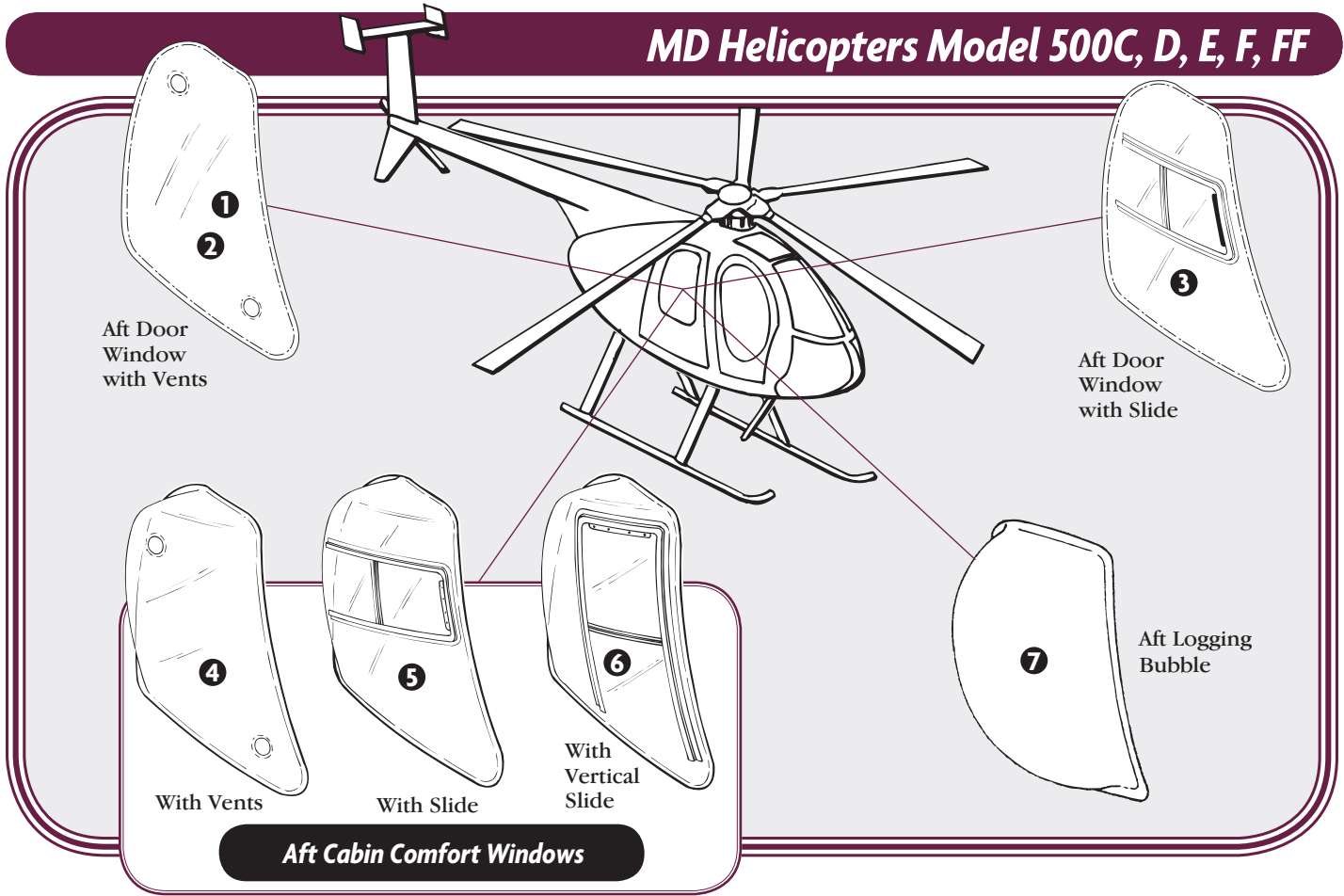
5 Fwd. Cabin Comfort Window with Vertical Slide ★

| Part Number | | Replaces OEM No. |
|-------------|-----|------------------|
| 369-4505-45 | L/H | Tech-Tool Design |
| 369-4505-46 | R/H | |

★ For these windows, specify **Light Smoke or Military Clear.**

Replacement Windows for the Helicopter World

MD Helicopters Model 500C, D, E, F, FF



1 Aft Door Window with Vents
(Light Smoke Tint)

| Part Number | | Replaces OEM No. |
|-------------|-----|------------------|
| 369-3506-1 | L/H | 369H2040-51,71 |
| 369-3506-2 | R/H | 369H2040-52,72 |

2 Aft Door Window with Vents
(Military Clear)

| Part Number | | Replaces OEM No. |
|-------------|-----|------------------|
| 369-3506-1 | L/H | Tech-Tool Design |
| 369-3506-2 | R/H | |

3 Aft Door Window with Slide ★

| Part Number | | Replaces OEM No. |
|-------------|-----|------------------|
| 369-3506-3 | L/H | Tech-Tool Design |
| 369-3506-4 | R/H | |

★ For these windows, specify Light Smoke or Military Clear.

4 Aft Cabin Comfort Window with Vents ★

| Part Number | | Replaces OEM No. |
|-------------|-----|------------------|
| 369-4506-1 | L/H | Tech-Tool Design |
| 369-4506-2 | R/H | |

5 Aft Cabin Comfort Window with Slide ★

| Part Number | | Replaces OEM No. |
|-------------|-----|------------------|
| 369-4506-3 | L/H | Tech-Tool Design |
| 369-4506-4 | R/H | |

6 Aft Cabin Comfort Window with Vertical Slide ★

| Part Number | | Replaces OEM No. |
|-------------|-----|------------------|
| 369-4506-7 | L/H | Tech-Tool Design |
| 369-4506-8 | R/H | |

7 Aft Logging Bubble ★

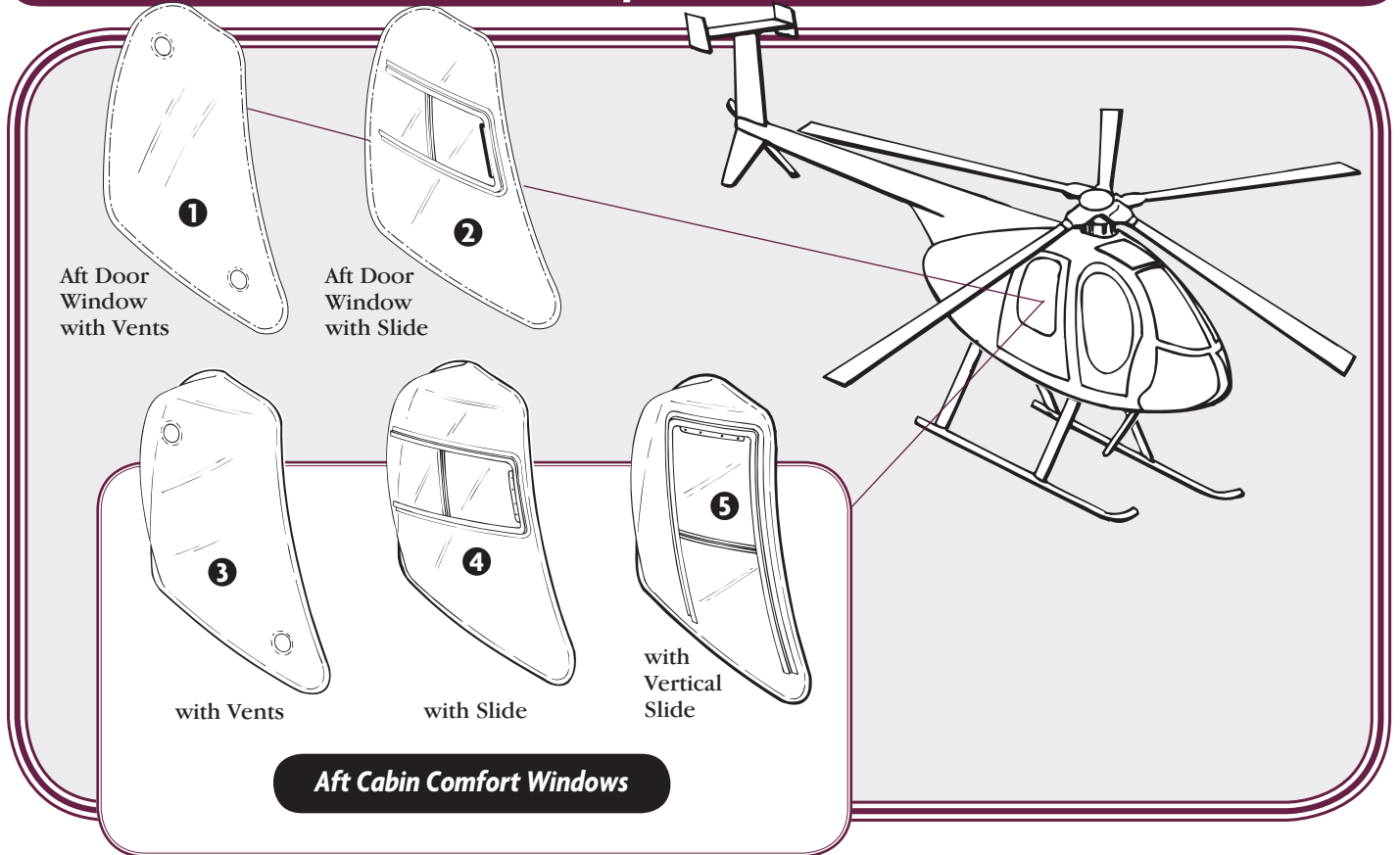
| Part Number | | Replaces OEM No. |
|-------------|-----|------------------|
| 369-3508-1 | L/H | Tech-Tool Design |
| 369-3508-2 | R/H | |



TECH-TOOL PLASTICS, INC.

7800 Skyline Park Drive • Fort Worth, Texas 76108 • www.tech-tool.com

MD Helicopters Model 500C, D, E, F, FF, 500N, 600N



**QUICK-CHANGE
RUBBER MOUNT**

1 Aft Door Window with Vents ★

| Part Number | | Replaces OEM No. |
|-------------|-----|------------------|
| 369-3506-41 | L/H | Tech-Tool Design |
| 369-3506-42 | R/H | |

2 Aft Door Window with Slide ★

| Part Number | | Replaces OEM No. |
|-------------|-----|------------------|
| 369-3506-43 | L/H | Tech-Tool Design |
| 369-3506-44 | R/H | |

3 Aft Cabin Comfort Window with Vents ★

| Part Number | | Replaces OEM No. |
|-------------|-----|------------------|
| 369-4506-41 | L/H | Tech-Tool Design |
| 369-4506-42 | R/H | |

4 Aft Cabin Comfort Window with Slide ★

| Part Number | | Replaces OEM No. |
|-------------|-----|------------------|
| 369-4506-43 | L/H | Tech-Tool Design |
| 369-4506-44 | R/H | |

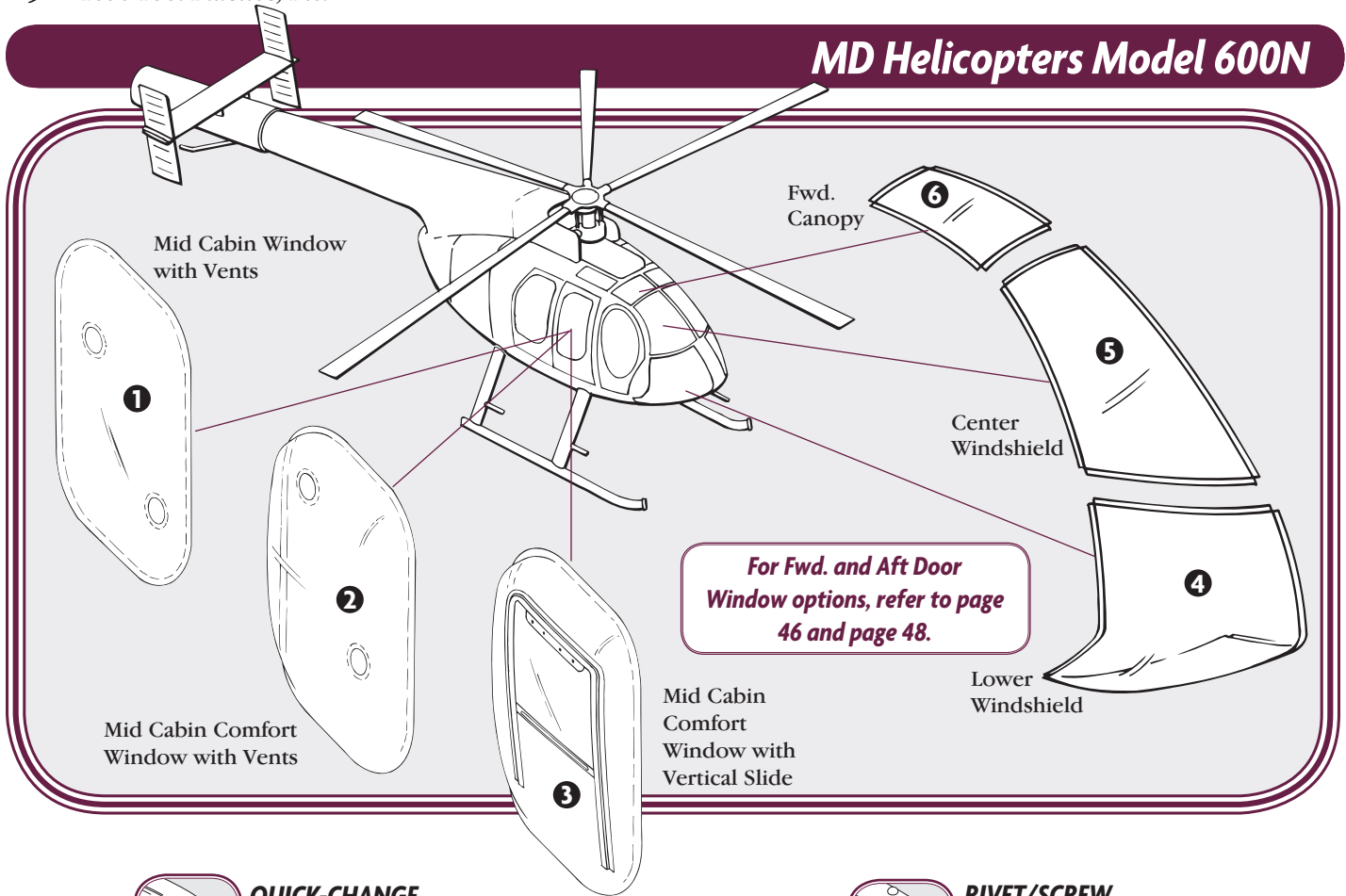
5 Aft Cabin Comfort Window with Vertical Slide ★

| Part Number | | Replaces OEM No. |
|-------------|-----|------------------|
| 369-4506-45 | L/H | Tech-Tool Design |
| 369-4506-46 | R/H | |

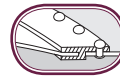
**★ For these windows, specify
Light Smoke or Military Clear.**

Replacement Windows for the Helicopter World

MD Helicopters Model 600N



**QUICK-CHANGE
RUBBER MOUNT**



**RIVET/SCREW
MOUNT**

1 Mid Cabin Window with Vents ★

| Part Number | | Replaces OEM No. |
|-------------|-----|------------------|
| 600-3507-41 | L/H | 600N2034-1 |
| 600-3507-42 | R/H | 600N2034-2 |

2 Mid Cabin Comfort Window with Vents ★

| Part Number | | Replaces OEM No. |
|-------------|-----|------------------|
| 600-4507-41 | L/H | Tech-Tool Design |
| 600-4507-42 | R/H | |

3 Mid Cabin Comfort Window with Vertical Slide ★

| Part Number | | Replaces OEM No. |
|-------------|-----|------------------|
| 600-4507-45 | L/H | Tech-Tool Design |
| 600-4507-46 | R/H | |

**★ For these windows, specify
Light Smoke or Military Clear.**

4 Lower Windshield

| Part Number | | Replaces OEM No. |
|-------------|-----|---------------------------------------------------------------------------------|
| 369-4501-1 | L/H | 369D22430-1 369D22429-1 369D22430-501 369D22429-501 369D22418-1,101 |
| 369-4501-2 | R/H | 369D22430-2 369D22429-2 369D22430-502 369D22429-502 369D22418-2,102 |

5 Center Windshield

| Part Number | | Replaces OEM No. |
|-------------|-----|----------------------------------|
| 369-4502-1 | L/H | 369D22428-501 369D22417-1,101 |
| 369-4502-2 | R/H | 369D22428-502 369D22417-2,102 |

6 Fwd. Canopy (Dark Tint)

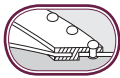
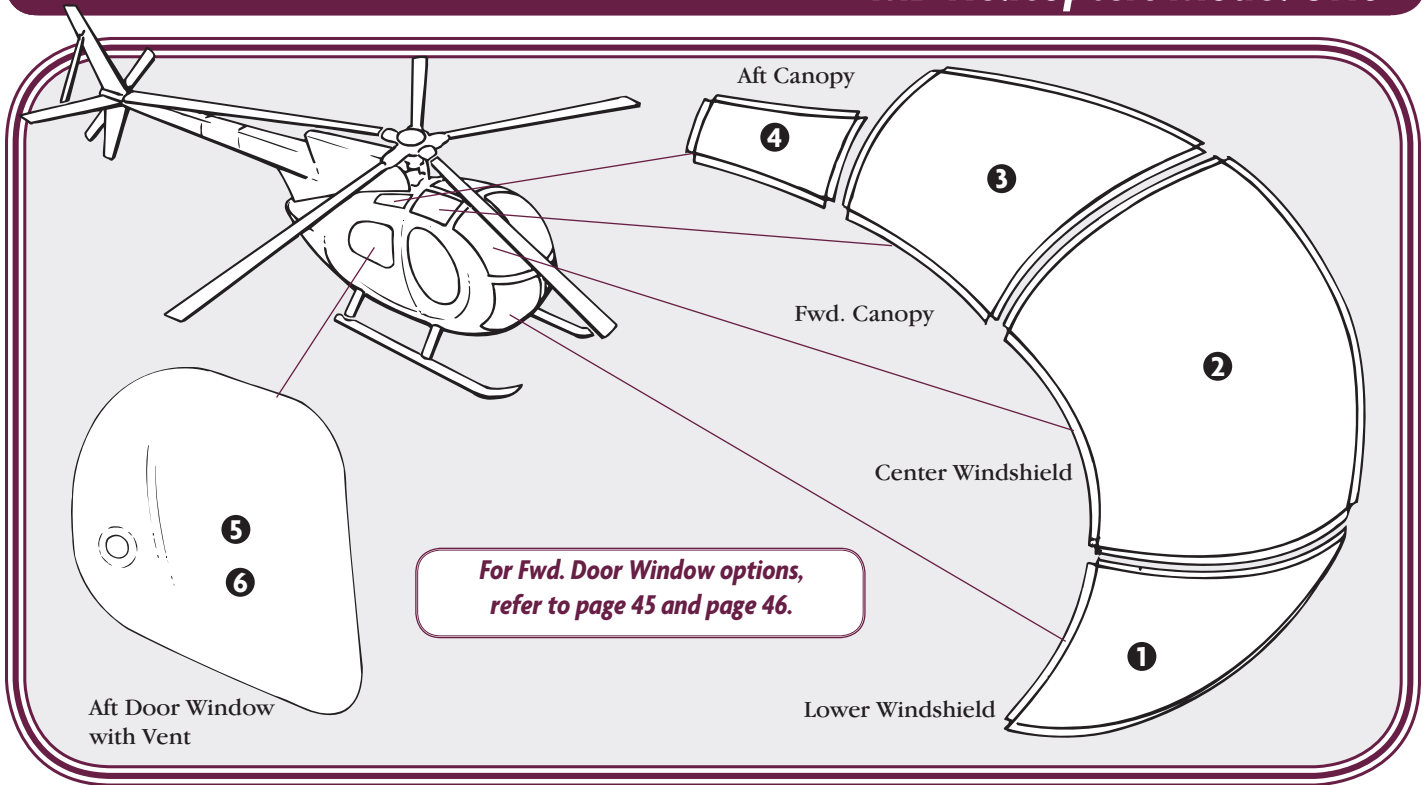
| Part Number | | Replaces OEM No. |
|-------------|-----|------------------|
| 369-3503-1 | L/H | 369H2410-501,901 |
| 369-3503-2 | R/H | 369H2410-502,902 |



TECH-TOOL PLASTICS, INC.

7800 Skyline Park Drive • Fort Worth, Texas 76108 • www.tech-tool.com

MD Helicopters Model OH6



**RIVET/SCREW
MOUNT**



**QUICK-CHANGE
RUBBER MOUNT**

1 Lower Windshield

| Part Number | | Replaces OEM No. |
|---------------|-----|------------------|
| 369-3501-10H6 | L/H | Tech-Tool Design |
| 369-3501-20H6 | R/H | |

2 Center Windshield

| Part Number | | Replaces OEM No. |
|---------------|-----|------------------|
| 369-3502-10H6 | L/H | Tech-Tool Design |
| 369-3502-20H6 | R/H | |

3 Fwd. Canopy (Dark Tint)

| Part Number | | Replaces OEM No. |
|---------------|-----|------------------|
| 369-3503-10H6 | L/H | Tech-Tool Design |
| 369-3503-20H6 | R/H | |

4 Aft Canopy (Dark Tint)

| Part Number | | Replaces OEM No. |
|---------------|-----|------------------|
| 369-3504-10H6 | L/H | Tech-Tool Design |
| 369-3504-20H6 | R/H | |

5 Aft Door Window with Vent ★

| Part Number | | Replaces OEM No. |
|---------------|-----|------------------|
| 369-3506-10H6 | L/H | Tech-Tool Design |
| 369-3506-20H6 | R/H | |

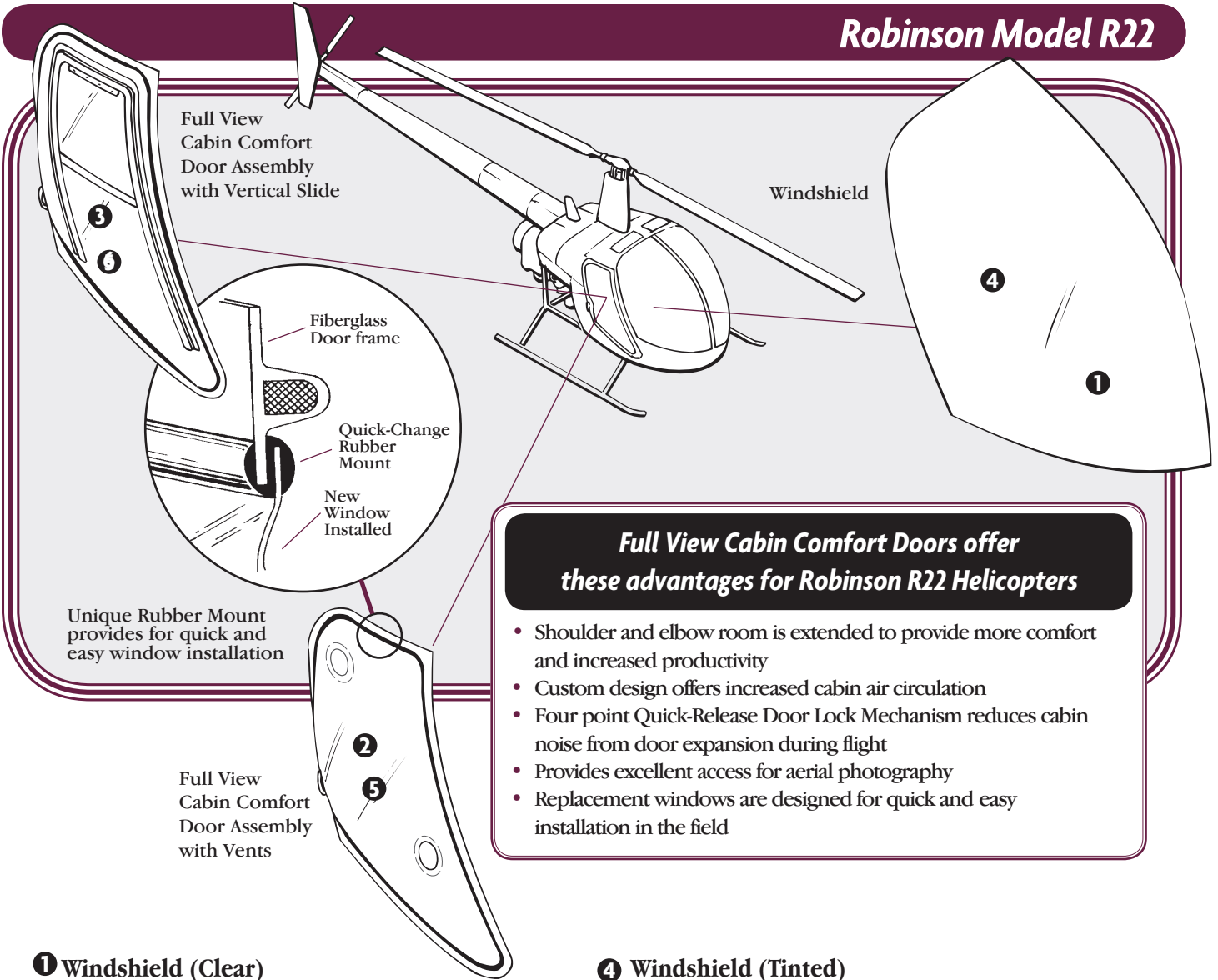
6 Aft Door Window with Vent ★

| Part Number | | Replaces OEM No. |
|----------------|-----|------------------|
| 369-3506-410H6 | L/H | Tech-Tool Design |
| 369-3506-420H6 | R/H | |

★ For these windows, specify
Light Smoke or Military Clear.

Replacement Windows for the Helicopter World

Robinson Model R22



Full View Cabin Comfort Doors offer these advantages for Robinson R22 Helicopters

- Shoulder and elbow room is extended to provide more comfort and increased productivity
- Custom design offers increased cabin air circulation
- Four point Quick-Release Door Lock Mechanism reduces cabin noise from door expansion during flight
- Provides excellent access for aerial photography
- Replacement windows are designed for quick and easy installation in the field

Unique Rubber Mount provides for quick and easy window installation

Full View Cabin Comfort Door Assembly with Vents

1 Windshield (Clear)

| Part Number | | Replaces OEM No. |
|-------------|-----|------------------|
| R22-100-1 | L/H | A274-1 |
| R22-100-2 | R/H | A274-2 |

4 Windshield (Tinted)

| Part Number | | Replaces OEM No. |
|-------------|-----|------------------|
| R22-100-3 | L/H | A274-3 |
| R22-100-4 | R/H | A274-4 |

2 Full View Cabin Comfort Door Assembly with Vents (Clear or Tinted)

| Part Number | | Replaces OEM No. |
|-------------|-----|------------------|
| R22-101-51 | L/H | Tech-Tool Design |
| R22-101-52 | R/H | |

5 Replacement Door Window with Vents (Clear or Tinted)

| Part Number | | Replaces OEM No. |
|-------------|-----|------------------|
| R22-101-55 | L/H | Tech-Tool Design |
| R22-101-56 | R/H | |

3 Full View Cabin Comfort Door Assembly with Vertical Slide (Clear or Tinted)

| Part Number | | Replaces OEM No. |
|-------------|-----|------------------|
| R22-101-53 | L/H | Tech-Tool Design |
| R22-101-54 | R/H | |

6 Replacement Door Window with Vertical Slide (Clear or Tinted)

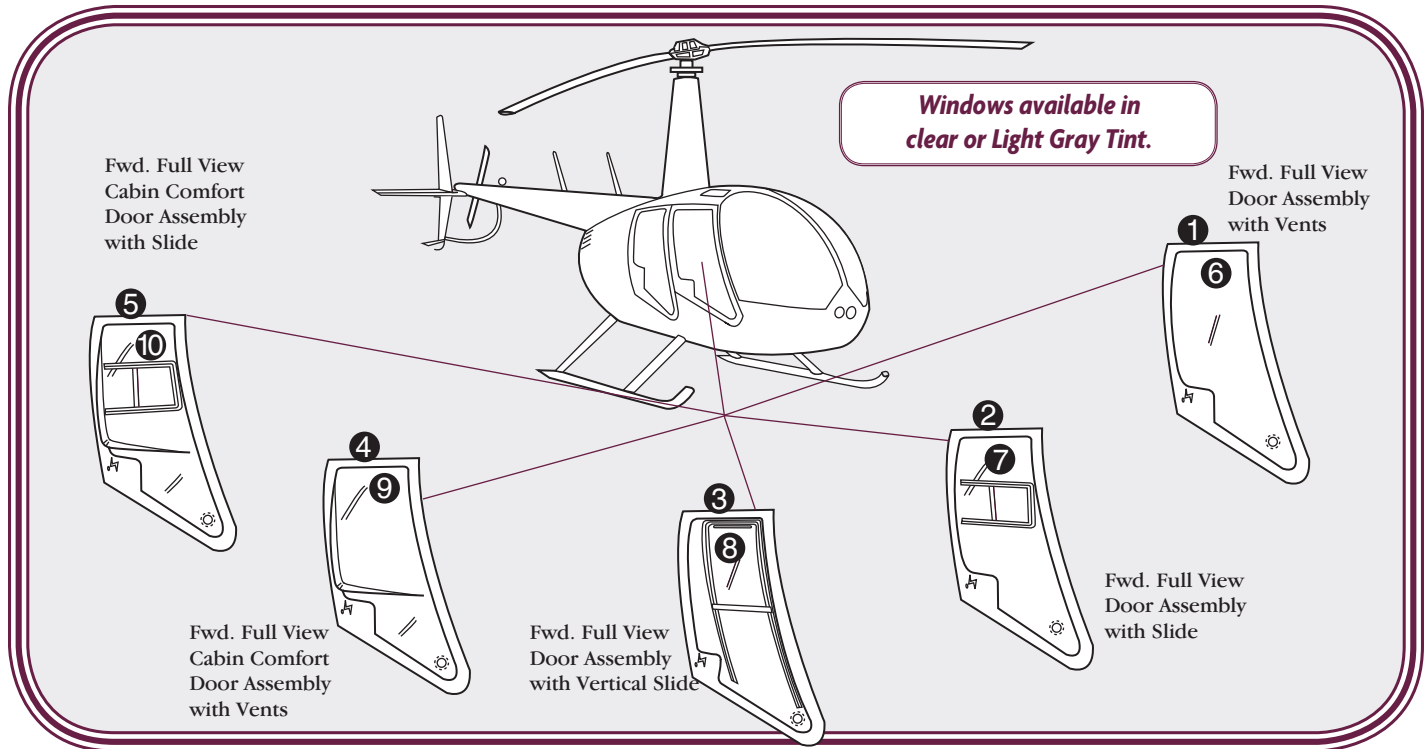
| Part Number | | Replaces OEM No. |
|-------------|-----|------------------|
| R22-101-57 | L/H | Tech-Tool Design |
| R22-101-58 | R/H | |



TECH-TOOL PLASTICS, INC.

7800 Skyline Park Drive • Fort Worth, Texas 76108 • www.tech-tool.com

Robinson R44



1 Fwd. Full View Door Assembly with Vents

| Part Number | | Replaces OEM No. |
|-------------|-----|------------------|
| R44-101-1 | L/H | Tech-Tool Design |
| R44-101-2 | R/H | |

6 Fwd. Replacement Door Window with Vents

| Part Number | | Replaces OEM No. |
|-------------|-----|------------------|
| R44-101-19 | L/H | Tech-Tool Design |
| R44-101-20 | R/H | |

2 Fwd. Full View Door Assembly with Slide

| Part Number | | Replaces OEM No. |
|-------------|-----|------------------|
| R44-101-3 | L/H | Tech-Tool Design |
| R44-101-4 | R/H | |

7 Fwd. Replacement Door Window with Slide

| Part Number | | Replaces OEM No. |
|-------------|-----|------------------|
| R44-101-17 | L/H | Tech-Tool Design |
| R44-101-18 | R/H | |

3 Fwd. Full View Door Assembly with Vertical Slide

| Part Number | | Replaces OEM No. |
|-------------|-----|------------------|
| R44-101-5 | L/H | Tech-Tool Design |
| R44-101-6 | R/H | |

8 Fwd. Replacement Door Window with Vertical Slide

| Part Number | | Replaces OEM No. |
|-------------|-----|------------------|
| R44-101-15 | L/H | Tech-Tool Design |
| R44-101-16 | R/H | |

4 Fwd. Full View Cabin Comfort Door Assembly with Vents

| Part Number | | Replaces OEM No. |
|-------------|-----|------------------|
| R44-101-7 | L/H | Tech-Tool Design |
| R44-101-8 | R/H | |

9 Fwd. Replacement Cabin Comfort Door Window with Vents

| Part Number | | Replaces OEM No. |
|-------------|-----|------------------|
| R44-101-13 | L/H | Tech-Tool Design |
| R44-101-14 | R/H | |

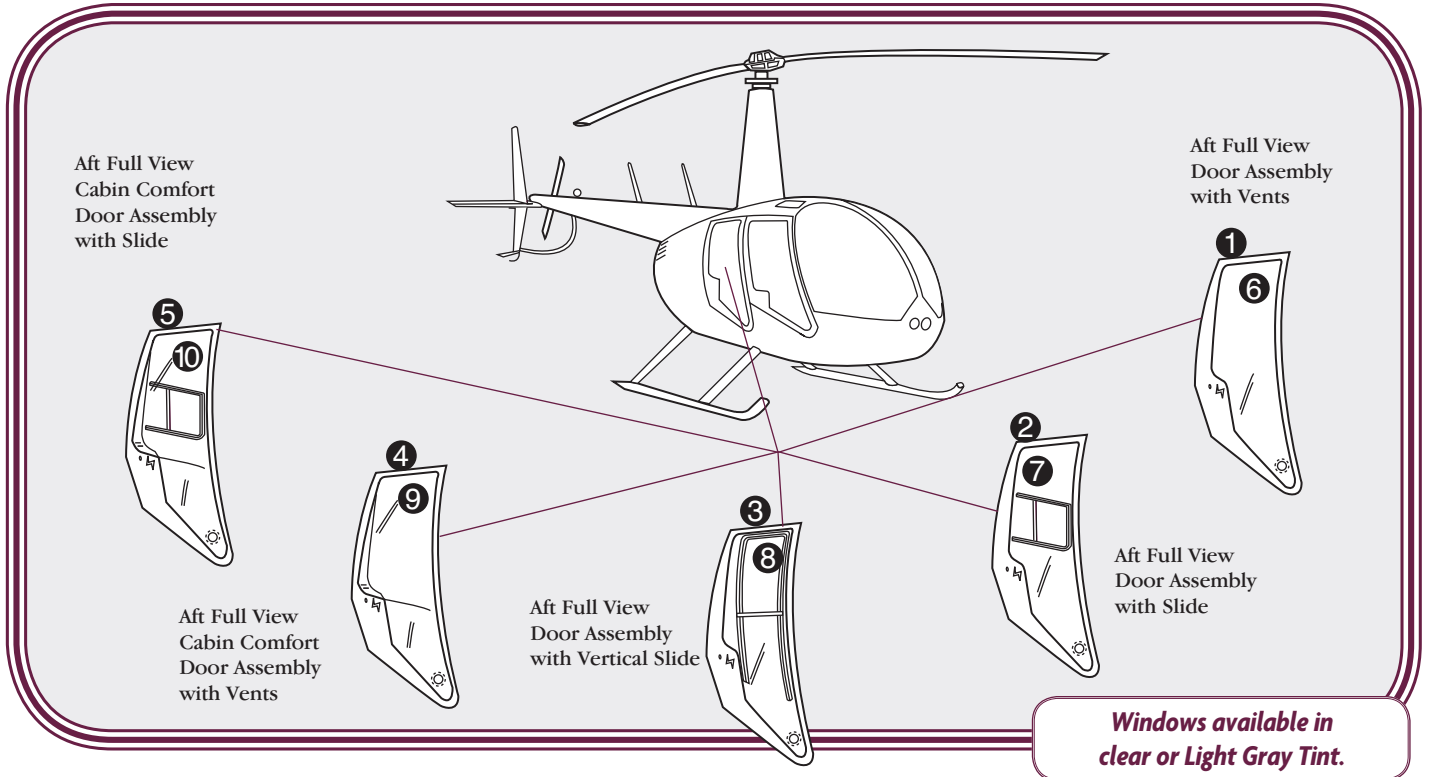
5 Fwd. Full View Cabin Comfort Door Assembly with Slide

| Part Number | | Replaces OEM No. |
|-------------|-----|------------------|
| R44-101-9 | L/H | Tech-Tool Design |
| R44-101-10 | R/H | |

10 Fwd. Replacement Cabin Comfort Door Window with Slide

| Part Number | | Replaces OEM No. |
|-------------|-----|------------------|
| R44-101-11 | L/H | Tech-Tool Design |
| R44-101-12 | R/H | |

Replacement Windows for the Helicopter World



1 Aft Full View Door Assembly with Vents

| Part Number | | Replaces OEM No. |
|-------------|-----|------------------|
| R44-102-1 | L/H | Tech-Tool Design |
| R44-102-2 | R/H | |

6 Aft Replacement Door Window with Vents

| Part Number | | Replaces OEM No. |
|-------------|-----|------------------|
| R44-102-19 | L/H | Tech-Tool Design |
| R44-102-20 | R/H | |

2 Aft Full View Door Assembly with Slide

| Part Number | | Replaces OEM No. |
|-------------|-----|------------------|
| R44-102-3 | L/H | Tech-Tool Design |
| R44-102-4 | R/H | |

7 Aft Replacement Door Window with Slide

| Part Number | | Replaces OEM No. |
|-------------|-----|------------------|
| R44-102-17 | L/H | Tech-Tool Design |
| R44-102-18 | R/H | |

3 Aft Full View Door Assembly with Vertical Slide

| Part Number | | Replaces OEM No. |
|-------------|-----|------------------|
| R44-102-5 | L/H | Tech-Tool Design |
| R44-102-6 | R/H | |

8 Aft Replacement Door Window with Vertical Slide

| Part Number | | Replaces OEM No. |
|-------------|-----|------------------|
| R44-102-15 | L/H | Tech-Tool Design |
| R44-102-16 | R/H | |

4 Aft Full View Cabin Comfort Door Assembly with Vents

| Part Number | | Replaces OEM No. |
|-------------|-----|------------------|
| R44-102-7 | L/H | Tech-Tool Design |
| R44-102-8 | R/H | |

9 Aft Replacement Cabin Comfort Door Window with Vents

| Part Number | | Replaces OEM No. |
|-------------|-----|------------------|
| R44-102-13 | L/H | Tech-Tool Design |
| R44-102-14 | R/H | |

5 Aft Full View Cabin Comfort Door Assembly with Slide

| Part Number | | Replaces OEM No. |
|-------------|-----|------------------|
| R44-102-9 | L/H | Tech-Tool Design |
| R44-102-10 | R/H | |

10 Aft Replacement Cabin Comfort Door Window with Slide

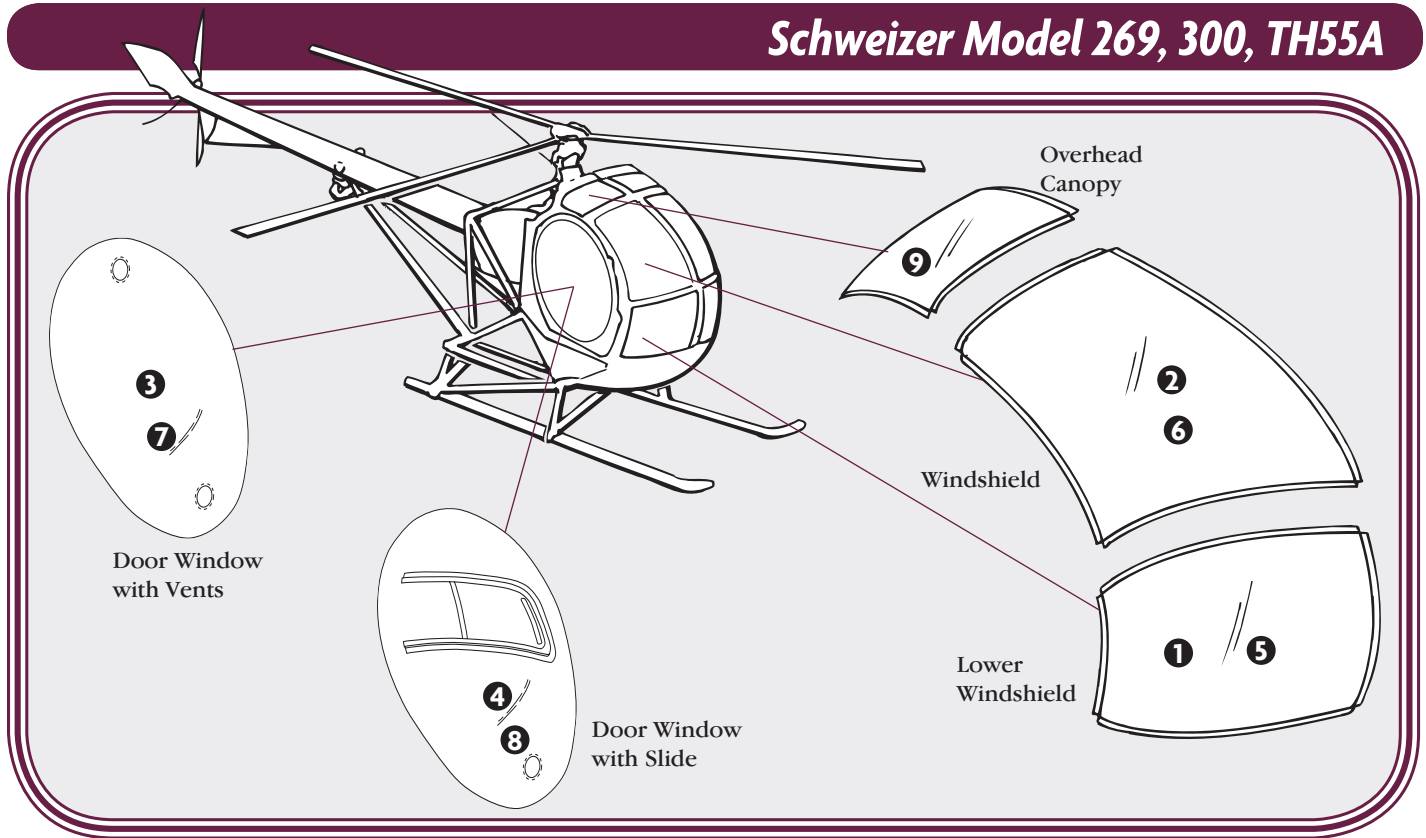
| Part Number | | Replaces OEM No. |
|-------------|-----|------------------|
| R44-102-11 | L/H | Tech-Tool Design |
| R44-102-12 | R/H | |



TECH-TOOL PLASTICS, INC.

7800 Skyline Park Drive • Fort Worth, Texas 76108 • www.tech-tool.com

Schweizer Model 269, 300, TH55A



1 Lower Windshield (Clear)

| Part Number | | Replaces OEM No. |
|-------------|-----|---------------------|
| 269-3301-1 | L/H | 269A2275-3,9,15,31 |
| 269-3301-2 | R/H | 269A2275-4,10,16,32 |

2 Windshield (Clear)

| Part Number | | Replaces OEM No. |
|-------------|-----|---------------------|
| 269-3302-1 | L/H | 269A2275-5,11,17,27 |
| 269-3302-2 | R/H | 269A2275-6,12,18,28 |

3 Door Window with Vents (Clear)

| Part Number | | Replaces OEM No. |
|-------------|-----|------------------|
| 269-3304-1 | L/H | 269A2804-11,25 |
| 269-3304-2 | R/H | 269A2804-12,26 |

4 Door Window with Slide (Clear)

| Part Number | | Replaces OEM No. |
|-------------|-----|------------------|
| 269-3305-1 | L/H | Tech-Tool Design |
| 269-3305-2 | R/H | |

5 Lower Windshield (Tinted)

| Part Number | | Replaces OEM No. |
|-------------|-----|-------------------|
| 269-3301-1 | L/H | 269A2275-21,29,37 |
| 269-3301-2 | R/H | 269A2275-22,30,38 |

6 Windshield (Tinted)

| Part Number | | Replaces OEM No. |
|-------------|-----|------------------|
| 269-3302-1 | L/H | 269A2275-23,25 |
| 269-3302-2 | R/H | 269A2275-24,26 |

7 Door Window with Vents (Tinted)

| Part Number | | Replaces OEM No. |
|-------------|-----|-------------------|
| 269-3304-1 | L/H | 269A2804-13,37,41 |
| 269-3304-2 | R/H | 269A2804-14,38,42 |

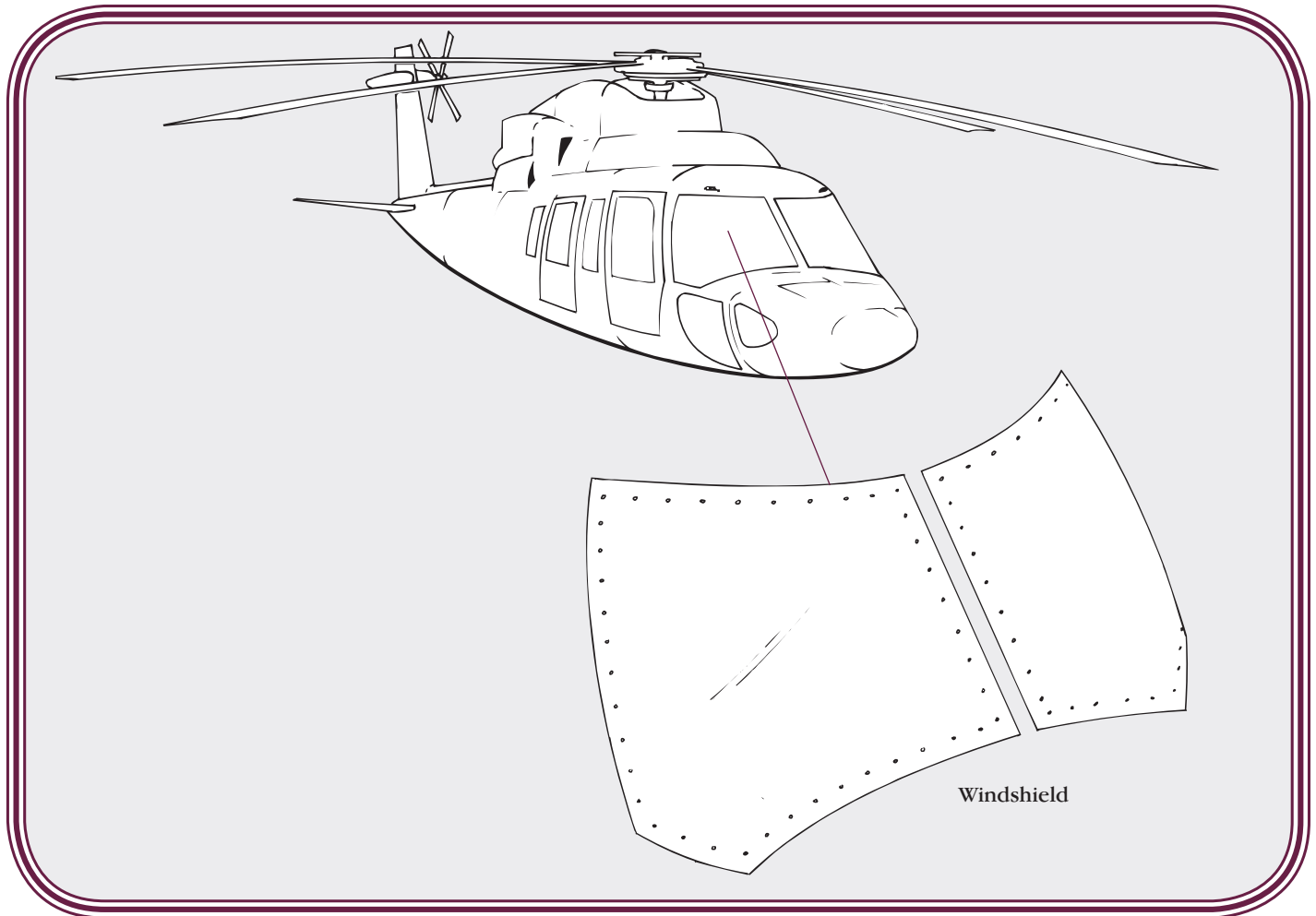
8 Door Window with Slide (Tinted)

| Part Number | | Replaces OEM No. |
|-------------|-----|------------------|
| 269-3305-1 | L/H | Tech-Tool Design |
| 269-3305-2 | R/H | |

9 Overhead Canopy (Dark Tint)

| Part Number | | Replaces OEM No. |
|-------------|-----|------------------|
| 269-3303-1 | L/H | 269A2275-7,13,19 |
| 269-3303-2 | R/H | 269A2275-8,14,20 |

Replacement Windows for the Helicopter World

Sikorsky Model S76**Windshield Advantages**

With the Tech-Tool Acrylic Windshield there is a significant cost savings without loss of quality or durability. This windshield is ideal for warm climates where heating elements are not necessary. There is also a reduction of excess weight by converting to plastic and eliminating the generator which operates the heating element.

Windshield

| Part Number | | Replaces OEM No. |
|-------------|-----|-------------------------|
| S76-101-3 | L/H | 76206-01002-109,113,115 |
| S76-101-4 | R/H | 76206-01002-110,114,116 |

**TECH-TOOL PLASTICS, INC.**7800 Skyline Park Drive • Fort Worth, Texas 76108 • www.tech-tool.com

