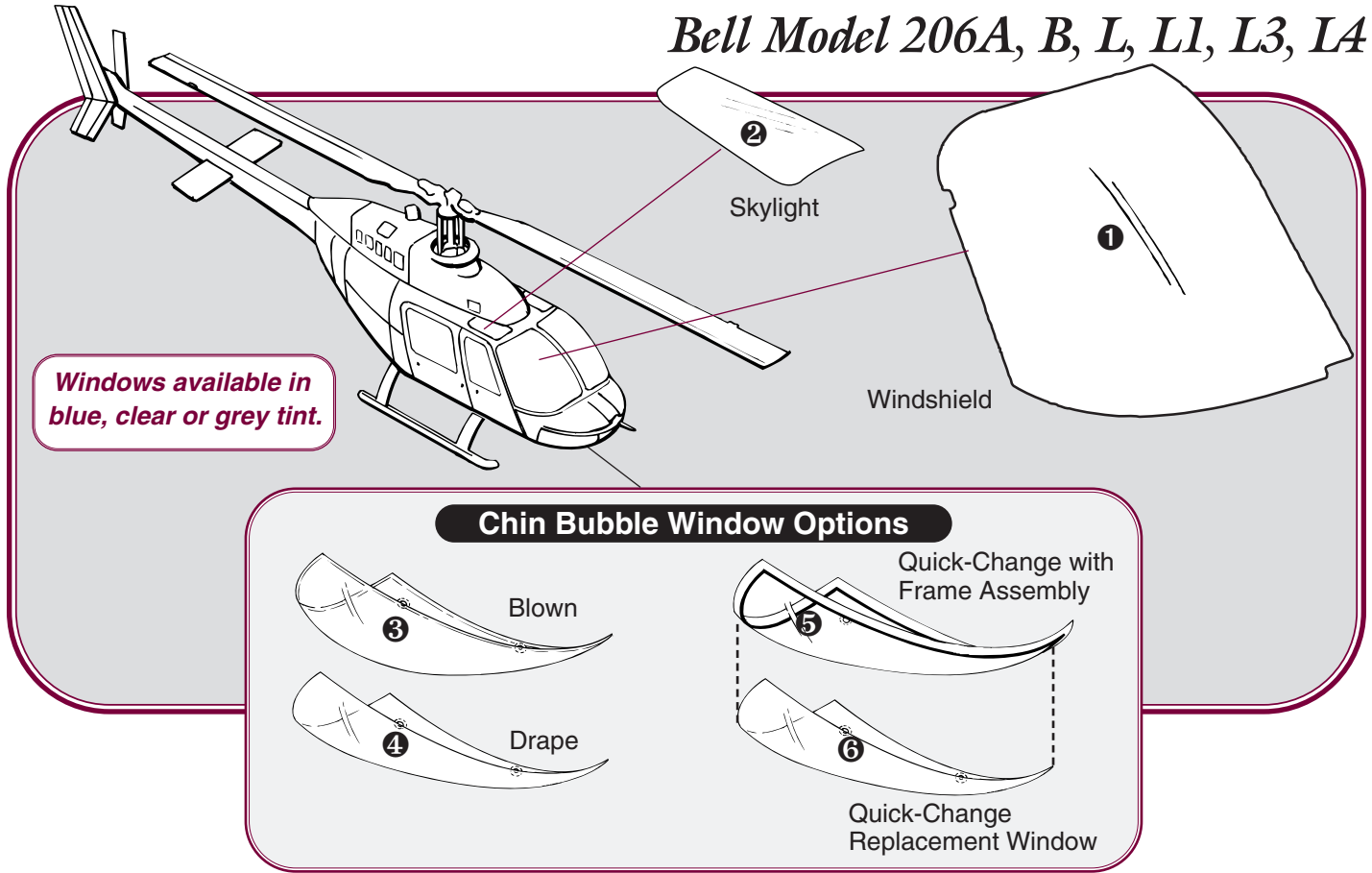
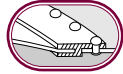
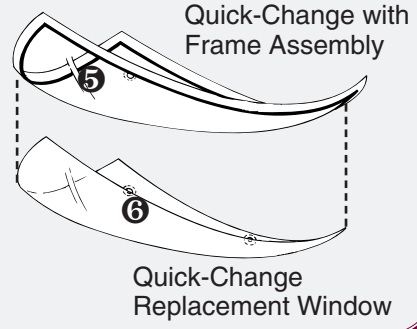
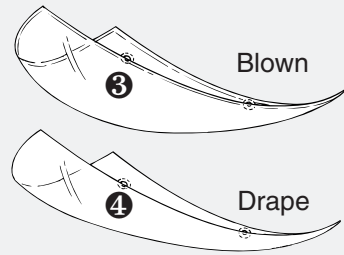


Bell Model 206A, B, L, L1, L3, L4



Windows available in blue, clear or grey tint.

Chin Bubble Window Options



RIVET MOUNT



QUICK-CHANGE RUBBER MOUNT

1 Windshield

Part Number		Replaces OEM No.
206B-1001-1	L/H	206-031-115-31,33
206B-1001-2	R/H	206-031-115-7,11,105

2 Skylight

Part Number		Replaces OEM No.
206B-1003-1	L/H	206-031-108-27,33
206B-1003-2	R/H	206-031-108-28,34

3 Chin Bubble (Blown)

Part Number		Replaces OEM No.
206B-1002-5	L/H	206-031-116-101,109
206B-1002-6	R/H	206-031-116-103,111

4 Chin Bubble (Drape)

Part Number		Replaces OEM No.
206B-1002-1	L/H	206-031-116-39
206B-1002-2	R/H	206-031-116-41

5 Chin Bubble with Frame Assembly

Part Number		Replaces OEM No.
206-QC-1002-1	L/H	Tech-Tool Design
206-QC-1002-2	R/H	

6 Chin Bubble Replacement Only

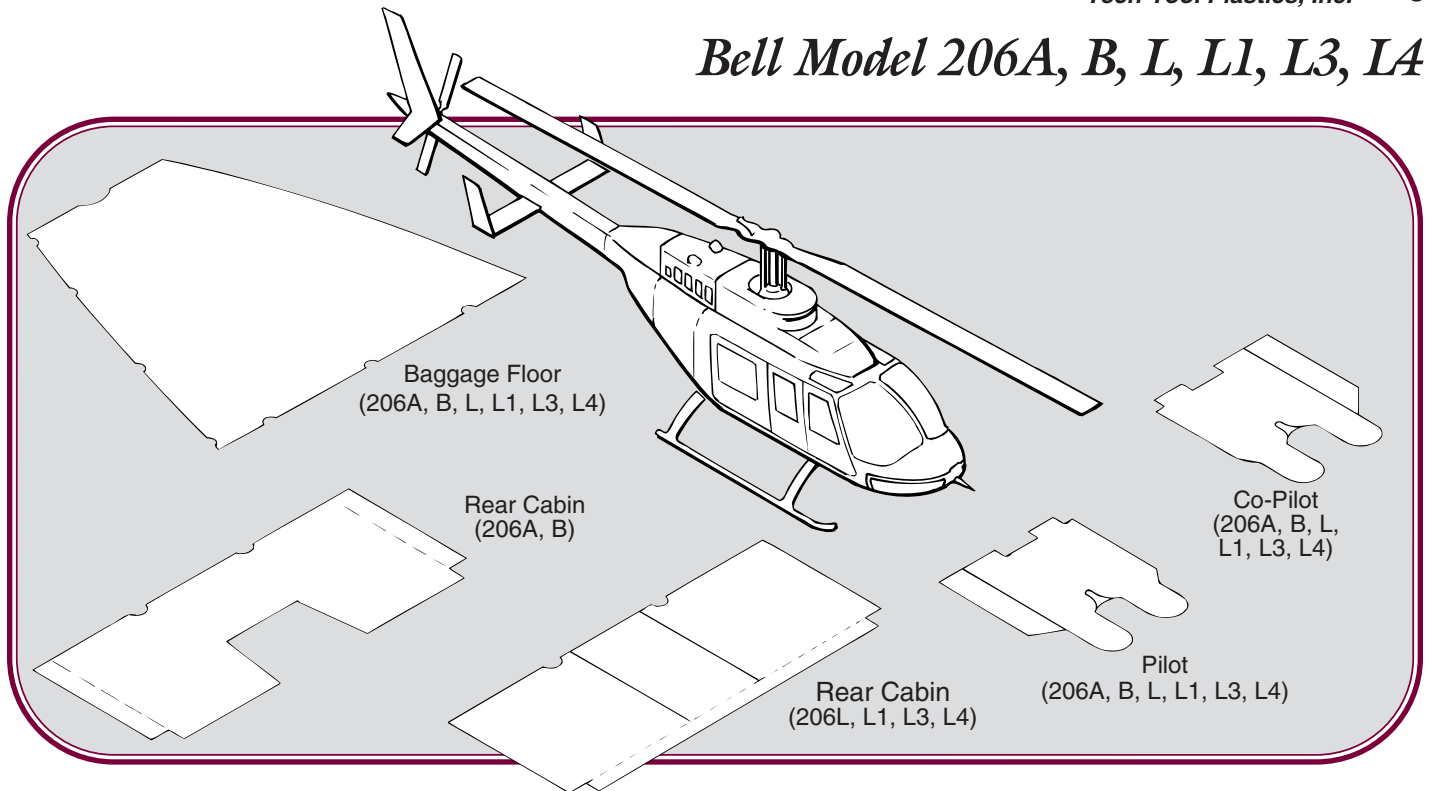
Part Number		Replaces OEM No.
206-QC-1002-5	L/H	Tech-Tool Design
206-QC-1002-6	R/H	



TECH-TOOL PLASTICS, INC.

7800 Skyline Park Drive • Fort Worth, Texas 76108 • www.tech-tool.com

Bell Model 206A, B, L, L1, L3, L4



Floor Protectors and Floor Protector Kits

In addition to our quality line of replacement windows, we offer cabin and baggage floor protectors. Our Cabin Floor Protectors are made of clear, durable polycarbonate and help keep cabin floor carpets looking like new. In the baggage compartment, our Floor Protector helps eliminate chipping and denting and reduces costly honeycomb repairs. Tech-Tool Cabin Floor and Baggage Floor Protectors are lightweight, durable, and are easy to install and remove.

Baggage Floor Protector

Part Number	Applicable Models
206-1029-1	206A, B, L, L1, L3, L4

Cabin Floor Protectors (Front only)

Part Number	Applicable Models
206-1030-1 (Co-pilot)	206A, B, L, L1, L3, L4
206-1030-2 (Pilot)	206A, B, L, L1, L3, L4

Cabin Floor Protector (Rear only)

Part Number	Applicable Models
206B-1031-1	206A, B
206L-1031-1	206L, L1, L3, L4

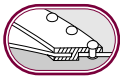
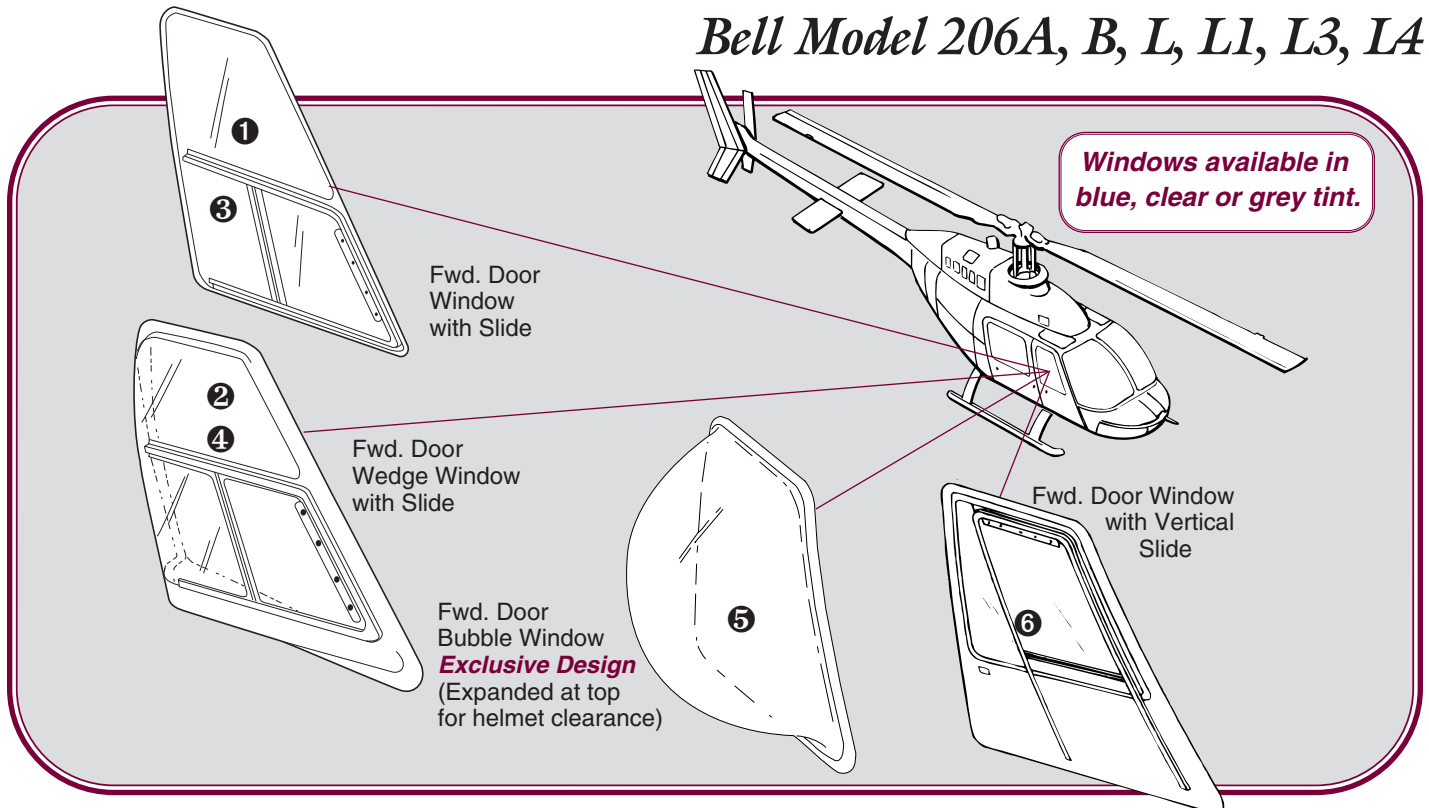
Cabin Floor Protector Kits

Part Number	Applicable Models
206B-1032-1	206A, B
206L-1032-1	206L, L1, L3, L4

Includes: Pilot, Co-Pilot and Rear floor protectors

Replacement Windows for the Helicopter World

Bell Model 206A, B, L, L1, L3, LA



RIVET MOUNT

1 Fwd. Door Window with Slide

Part Number		Replaces OEM No.
206B-1004-1	L/H	206-031-500-101,147,149
206B-1004-2	R/H	206-031-500-102,148,150
206L-1004-1	L/H	206-033-600-5,117
206L-1004-2	R/H	206-033-600-6,118

2 Fwd. Door Wedge Window with Slide

Part Number		Replaces OEM No.
206BW-1004-1	L/H	Tech-Tool Design
206BW-1004-2	R/H	
206LW-1004-1	L/H	
206LW-1004-2	R/H	

5 Fwd. Door Bubble Window

Part Number		Replaces OEM No.
206B-1010-1	L/H	Tech-Tool Design
206B-1010-2	R/H	
206L-1010-1	L/H	
206L-1010-2	R/H	

6 Fwd. Door Window with Vertical Slide

Part Number		Replaces OEM No.
206B-1012-1	L/H	Tech-Tool Design
206B-1012-2	R/H	
206L-1012-1	L/H	
206L-1012-2	R/H	



QUICK-CHANGE RUBBER MOUNT

3 Fwd. Door Window with Slide

Part Number		Replaces OEM No.
206L-QC-1004-1	L/H	206-033-600-127
206L-QC-1004-2	R/H	206-033-600-128

4 Fwd. Door Wedge Window with Slide

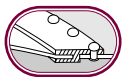
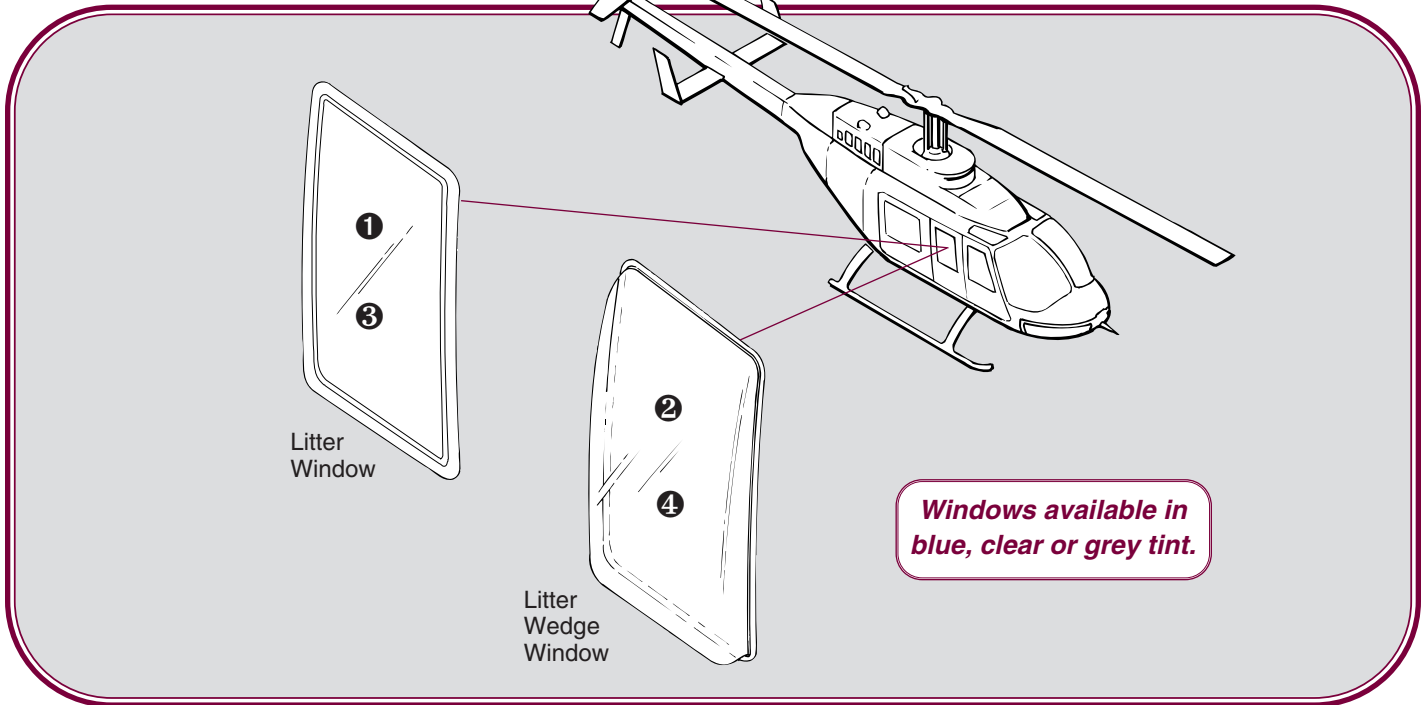
Part Number		Replaces OEM No.
206BW-1004-5	L/H	206-033-677-101
206BW-1004-6	R/H	206-033-677-102
206LW-1004-5	L/H	206-033-676-101
206LW-1004-6	R/H	206-033-676-102



TECH-TOOL PLASTICS, INC.

7800 Skyline Park Drive • Fort Worth, Texas 76108 • www.tech-tool.com

Bell Model 206L, L1, L3, L4



RIVET MOUNT

1 Litter Window

Part Number		Replaces OEM No.
206L-1007-1	L/H	206-033-602-1
206L-1007-2	R/H	206-033-115-011

2 Litter Wedge Window

Part Number		Replaces OEM No.
206LW-1007-1	L/H	Tech-Tool Design
206LW-1007-2	R/H	Tech-Tool Design



QUICK-CHANGE RUBBER MOUNT

3 Litter Window

Part Number		Replaces OEM No.
206L-QC-1007-1	L/H	206-033-602-267
206L-QC-1007-2	R/H	206-033-115-165,173

4 Litter Wedge Window

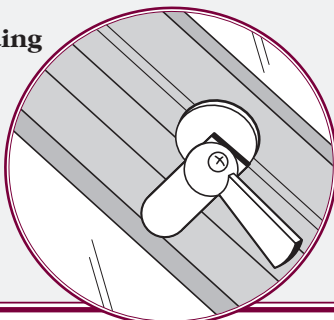
Part Number		Replaces OEM No.
206LW-QC-1007-1	L/H	Tech-Tool Design
206LW-QC-1007-2	R/H	Tech-Tool Design

Window Accessories

Window Latch/Handle Assembly

Part Number	Applicable Models
TTPH-1 L/H (Fwd./Aft)	206A, B, L, L1, L3, L4
TTPH-2 R/H (Fwd./Aft)	206A, B, L, L1, L3, L4

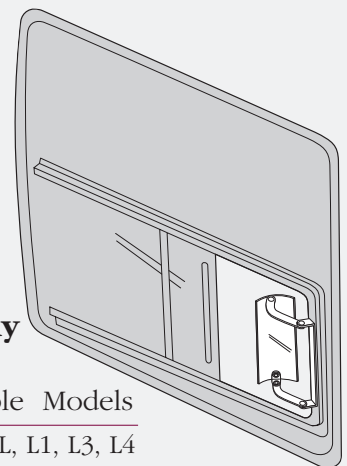
Latch keeps sliding windows from blowing open during flight and reduces pilferage when helicopter is unattended.



Tech-Tool Vent Assemblies provide an efficient, cost effective method to control outside air flow for cabin ventilation and cooling.

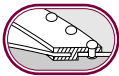
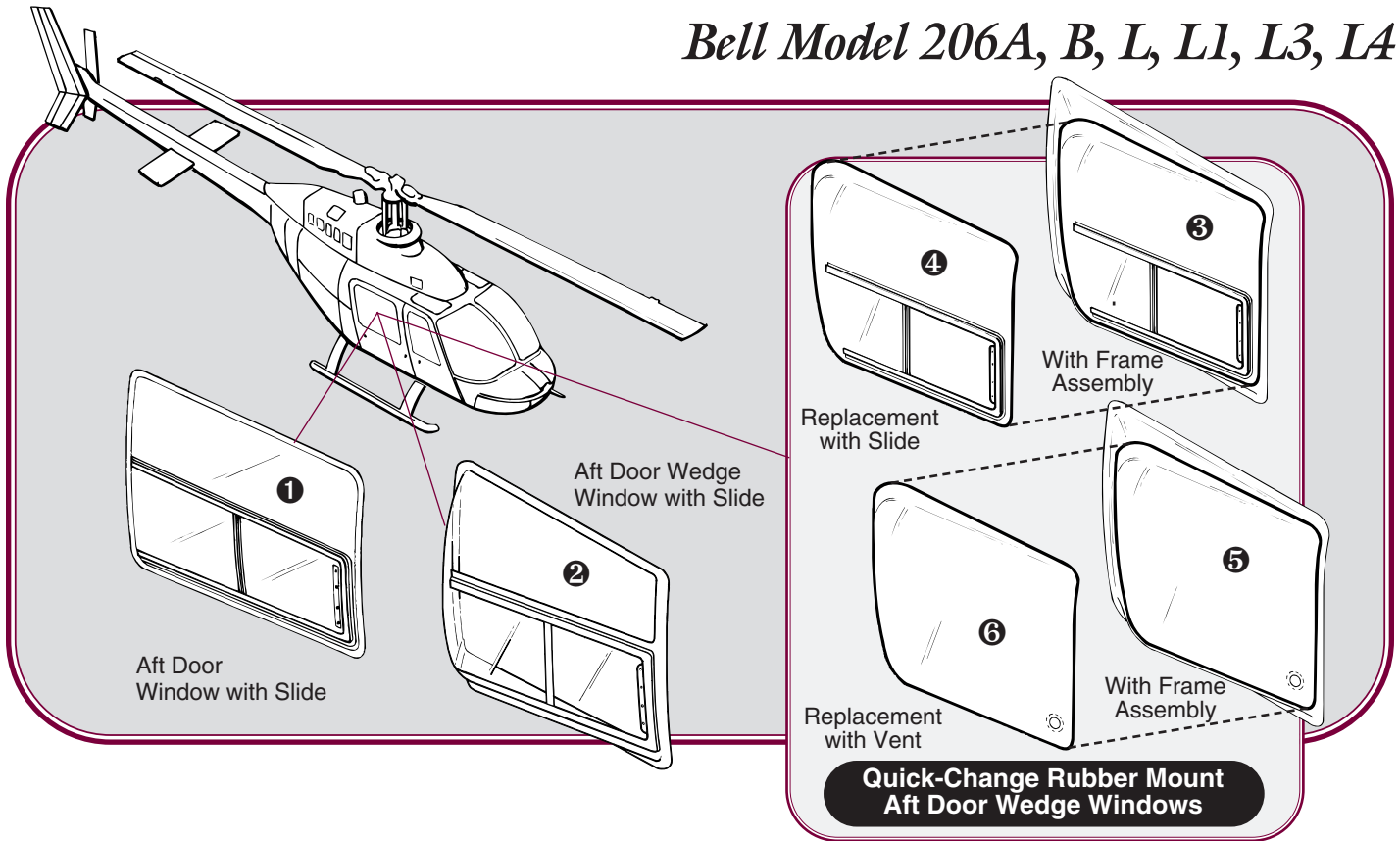
Window Vent Assembly (fits Fwd. and Aft)

Part Number	Applicable Models
TTPV-1	206A, B, L, L1, L3, L4



Replacement Windows for the Helicopter World

Bell Model 206A, B, L, L1, L3, LA



RIVET MOUNT

1 Aft Door Window with Slide

Part Number	Replaces OEM No.
206B-1005-1 L/H	206-031-501-85,129
206B-1005-2 R/H	206-031-501-86,130
206L-1005-1 L/H	206-033-601-9
206L-1005-2 R/H	206-033-601-10

2 Aft Door Wedge Window with Slide

Part Number	Replaces OEM No.	Model No.
206W-1006-1 L/H	206-031-625-101	206A, B
206W-1006-2 R/H	206-031-625-102	206A, B
206W-1006-3 L/H	206-033-663-101	206L, L1, L3
206W-1006-4 R/H	206-033-663-102	206L, L1, L3

Windows available in blue, clear or grey tint.



QUICK-CHANGE RUBBER MOUNT

3 Aft Door Wedge Window w/Slide and Frame Assy.

Part Number	Replaces OEM No.
206BW-QC-1006-1 L/H	206-033-678-101
206BW-QC-1006-2 R/H	206-033-678-102
206LW-QC-1006-1 L/H	206-333-001-101
206LW-QC-1006-2 R/H	206-333-001-102

4 Aft Door Wedge Window Replacement w/Slide

Part Number	Replaces OEM No.
206BW-QC-1006-7 L/H	206-333-001-103
206BW-QC-1006-8 R/H	206-333-001-104
206LW-QC-1006-7 L/H	206-333-001-103
206LW-QC-1006-8 R/H	206-333-001-104

5 Aft Door Wedge Window w/Vent and Frame Assy.

Part Number	Replaces OEM No.
206BW-QC-1006-3 L/H	Tech-Tool Design
206BW-QC-1006-4 R/H	
206LW-QC-1006-3 L/H	
206LW-QC-1006-4 R/H	

6 Aft Door Wedge Window Replacement w/Vent

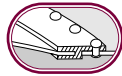
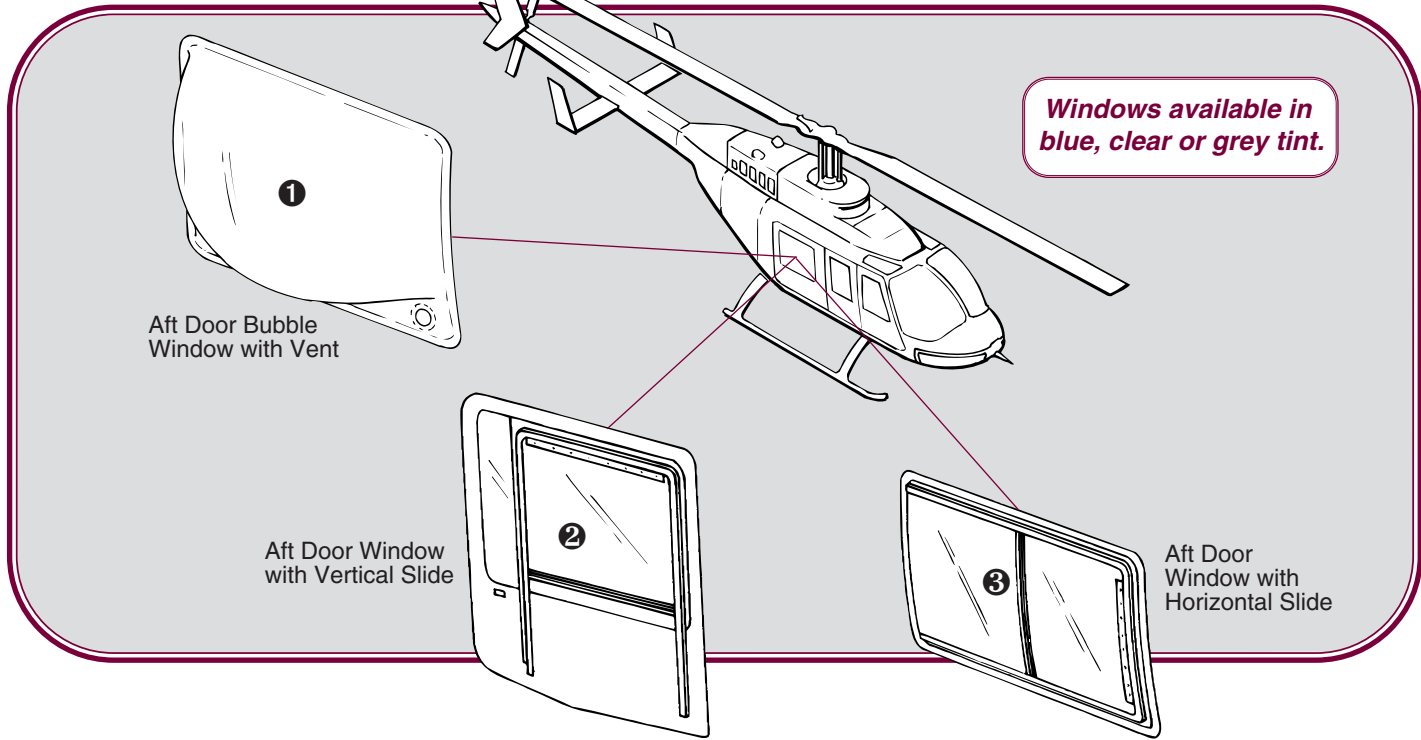
Part Number	Replaces OEM No.
206BW-QC-1006-5 L/H	Tech-Tool Design
206BW-QC-1006-6 R/H	
206LW-QC-1006-5 L/H	
206LW-QC-1006-6 R/H	



TECH-TOOL PLASTICS, INC.

7800 Skyline Park Drive • Fort Worth, Texas 76108 • www.tech-tool.com

Bell Model 206A, B, L, L1, L3, L4



RIVET MOUNT

1 Aft Door Bubble Window with Vent

Part Number	Replaces OEM No.
206B-1011-1 L/H	Tech-Tool Design
206B-1011-2 R/H	
206L-1011-1 L/H	
206L-1011-2 R/H	

2 Aft Door Window with Vertical Slide

Part Number	Replaces OEM No.
206B-1008-1 L/H	Tech-Tool Design
206B-1008-2 R/H	
206L-1008-1 L/H	
206L-1008-2 R/H	

3 Aft Door Window with Horizontal Slide

Part Number	Replaces OEM No.
206B-1009-1 L/H	Tech-Tool Design
206B-1009-2 R/H	
206L-1009-1 L/H	
206L-1009-2 R/H	

Replacement Windows for the Helicopter World