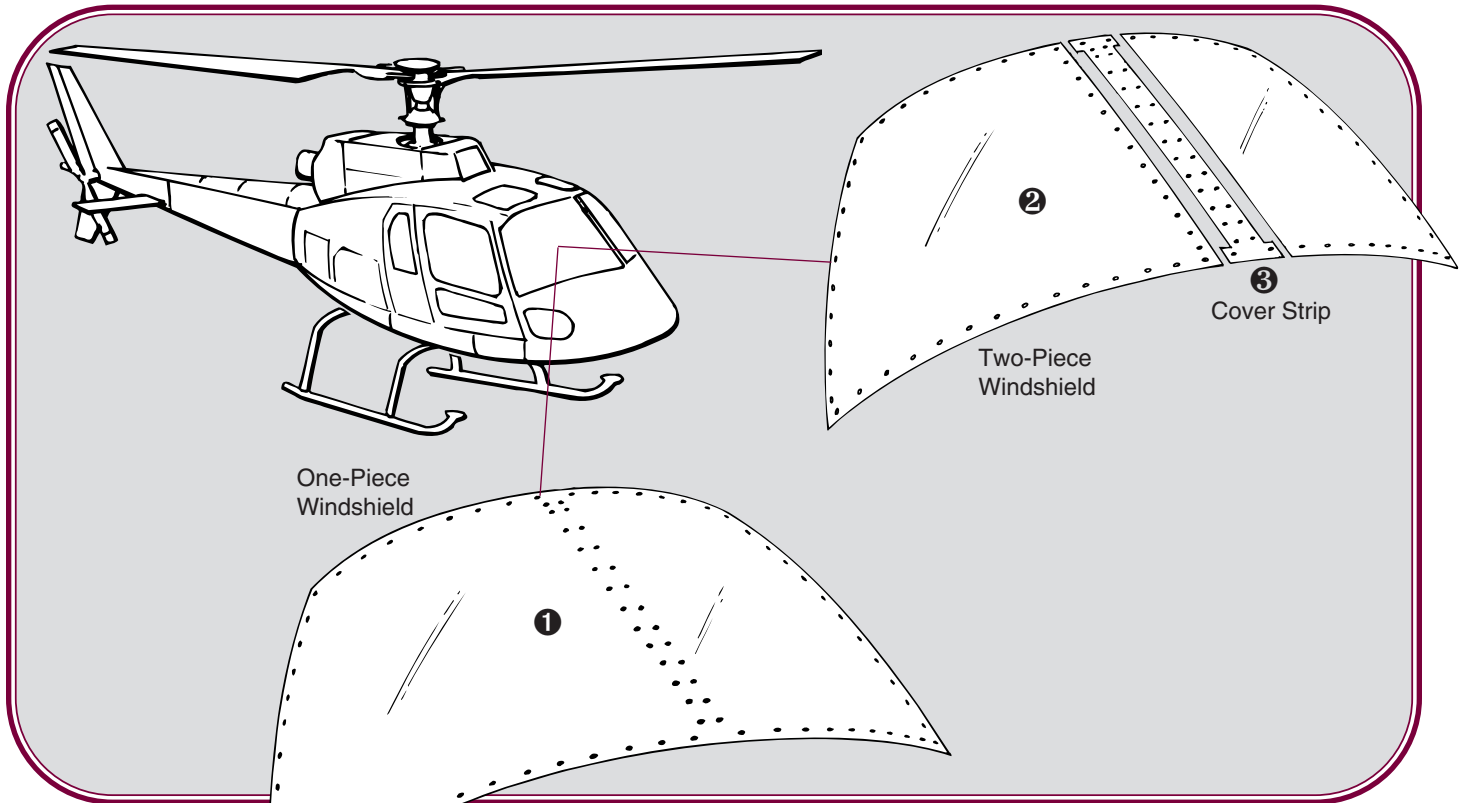




# Eurocopter Model AS350, 355



## Windshield Advantages

- New fabrication fixtures assure a perfect fit and longer windshield life
- Pre-formed to cabin contour
- Pre-drilled attach holes
- Optional gray tint

### ❶ One-Piece Windshield

Part Number	Replaces OEM No.
3501-2023-1	350A25-1238-24

### ❷ Two-Piece Windshield

Part Number	Replaces OEM No.
3501-2023-3 L/H	350A25-1371-20/704A31-5120-035/SP350-2-1-0
3501-2023-4 R/H	350A25-1371-21/704A31-5120-036/SP350-1-1-0

### ❸ Cover Strip

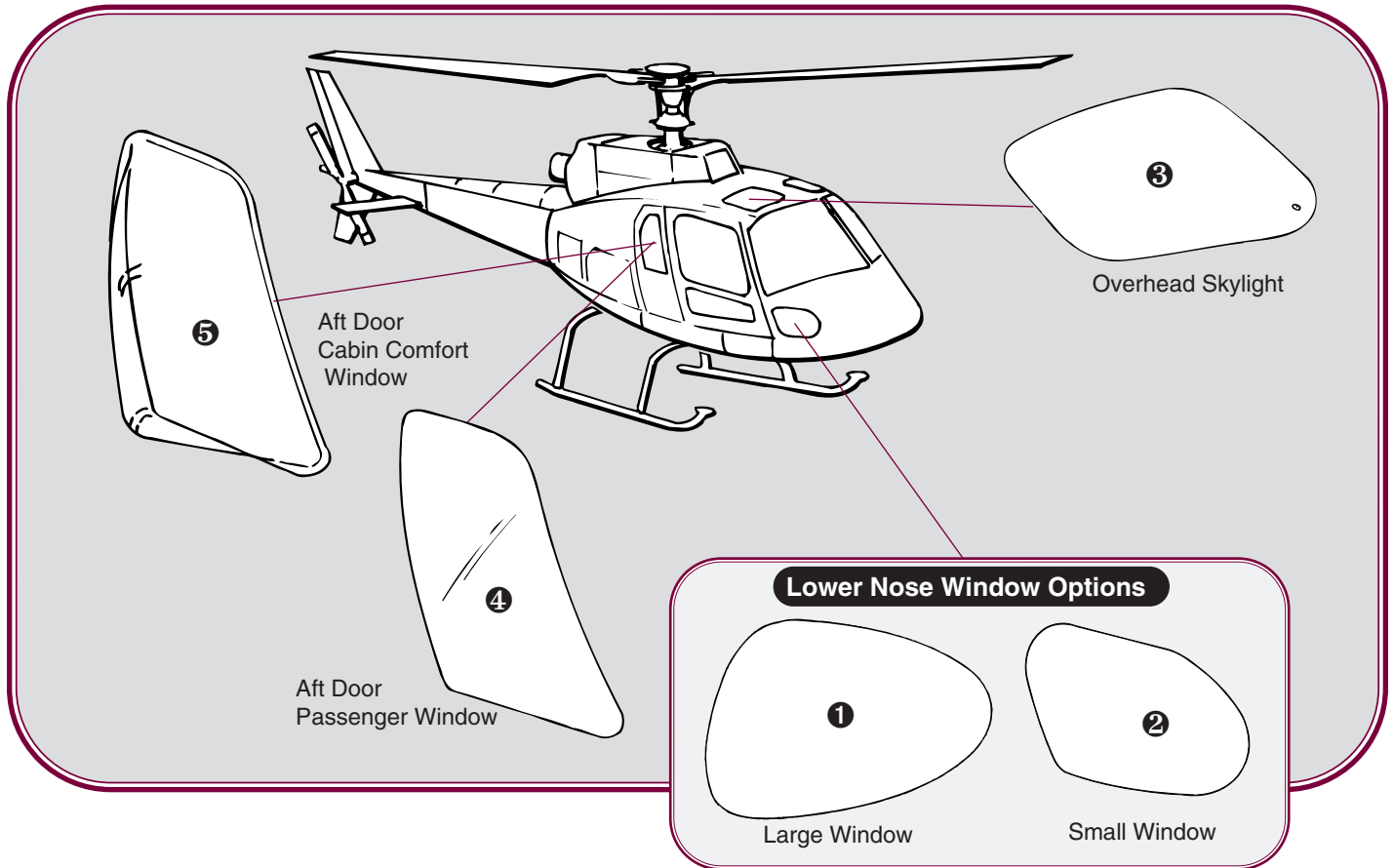
Part Number	Replaces OEM No.
3501-2023-11	350A25-1370-28



**TECH-TOOL PLASTICS, INC.**

7800 Skyline Park Drive • Fort Worth, Texas 76108 • [www.tech-tool.com](http://www.tech-tool.com)

# Eurocopter Model AS350, 355



### ❶ Large Lower Nose Window

Part Number		Replaces OEM No.
3501-2021-1	L/H	350A21-0200-26
3501-2021-2	R/H	350A21-0200-27

### ❷ Small Lower Nose Window

Part Number		Replaces OEM No.
3501-2022-1	L/H	350A25-1006-56
3501-2022-2	R/H	350A25-1006-57

### ❸ Overhead Skylight

Part Number		Replaces OEM No.
3501-2024-1	L/H	350A25-1004-64 350A25-1635-2001
3501-2024-2	R/H	350A25-1004-65 350A25-1635-2101

### ❹ Aft Door Passenger Window

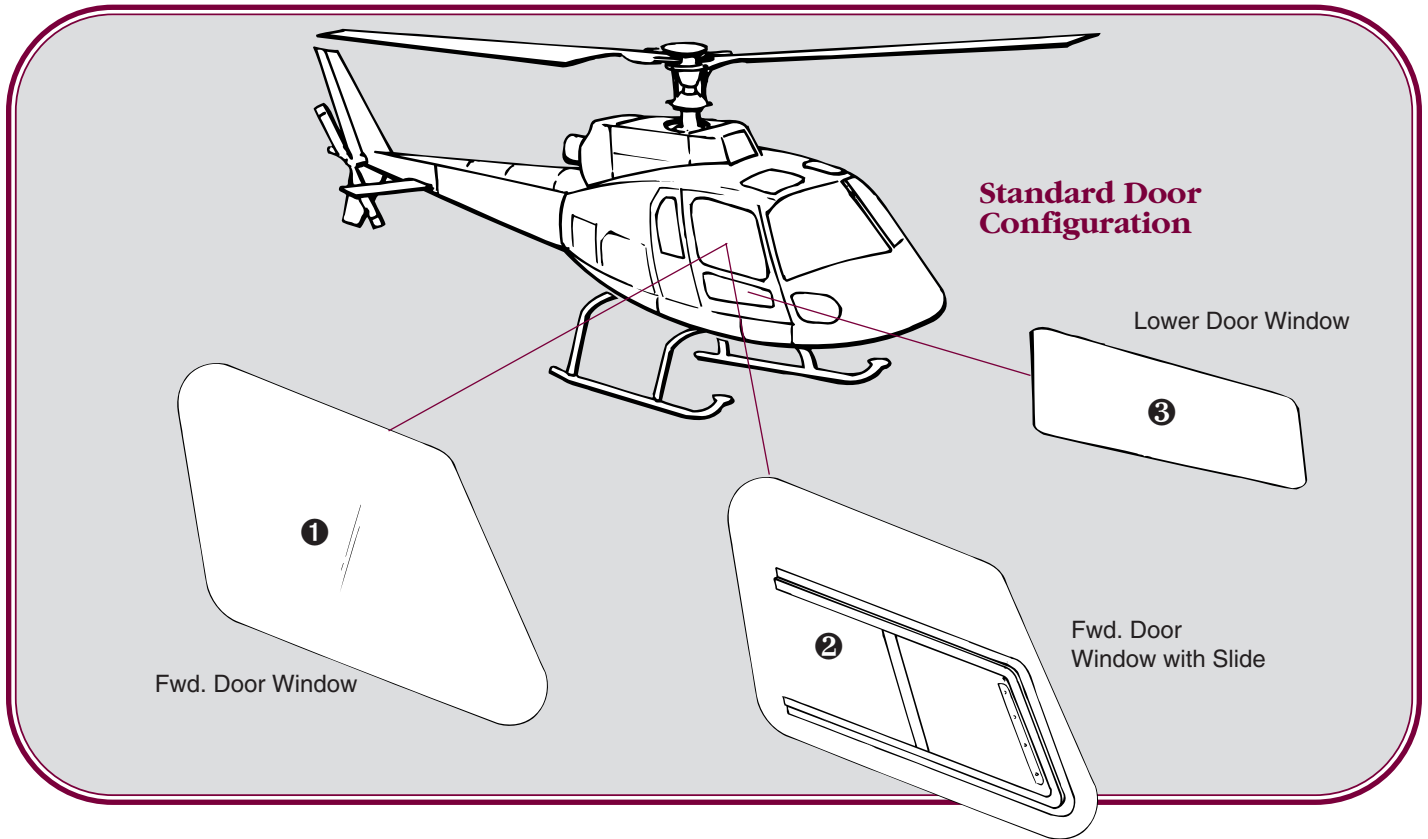
Part Number		Replaces OEM No.
3501-2027-1	L/H	350A25-0060-21/2104
3501-2027-1	R/H	350A25-0060-21/2103

### ❺ Aft Door Cabin Comfort Window

Part Number		Replaces OEM No.
3501CC-2027-3	L/H	Tech-Tool Design
3501CC-2027-4	R/H	

**Replacement Windows for the Helicopter World**

# Eurocopter Model AS350, 355



**1 Fwd. Door Window**

Part Number		Replaces OEM No.
3501-2025-1	L/H	350A25-0050-52
3501-2025-2	R/H	350A25-0050-51

**2 Fwd. Door Window with Slide**

Part Number		Replaces OEM No.
3501-2026-1	L/H	350A25-0050-52
		704A41-512-003,005,028,037,042
		040-11341-990
		040-11650-990
3501-2026-2	R/H	350A25-0050-5401
		704A41-512-004,006,025,029,041
		040-11340-990
		040-11651-990

**3 Lower Door Window**

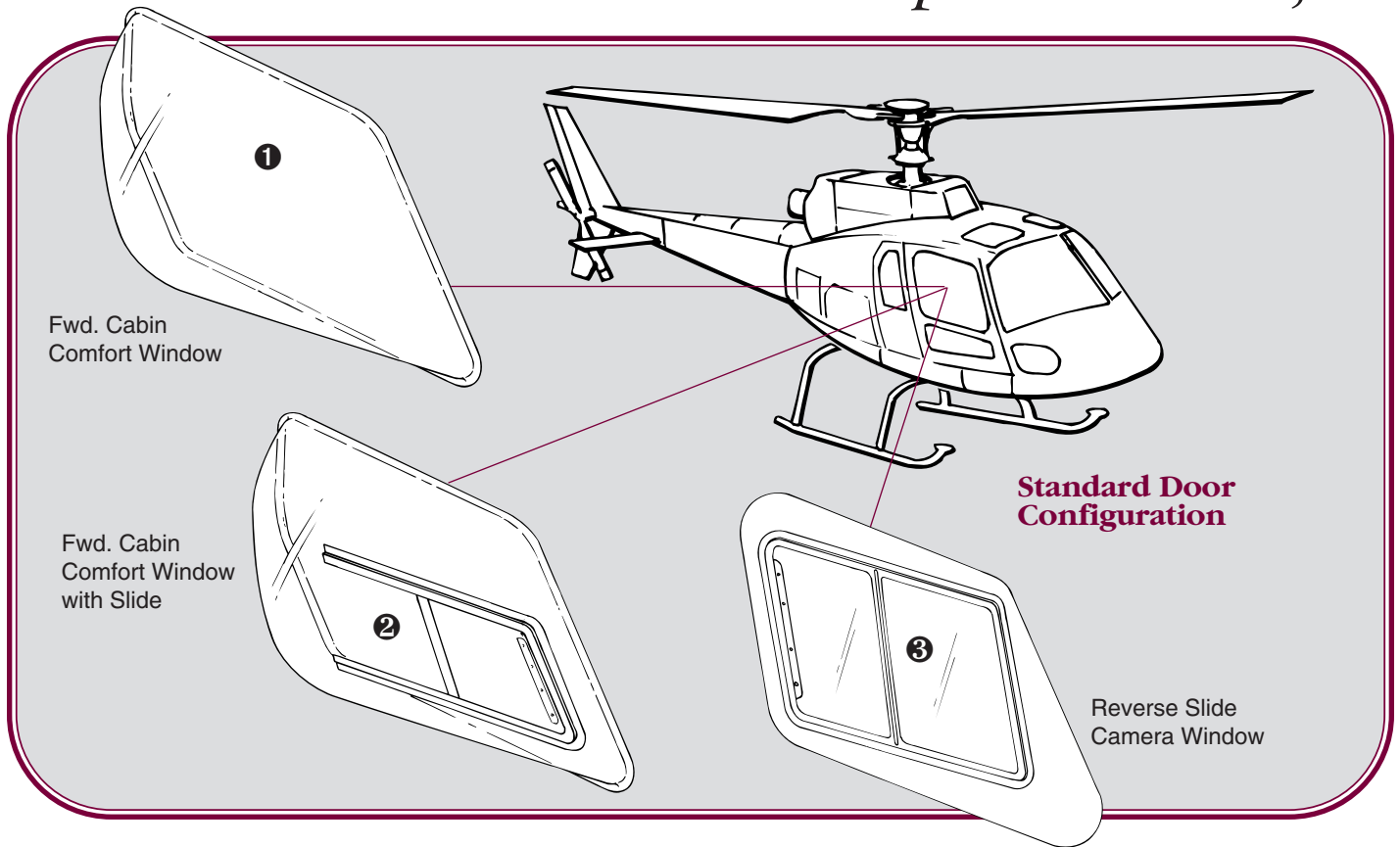
Part Number		Replaces OEM No.
3501-2028-1	L/H	350A25-0050-69
3501-2028-1	R/H	350A25-0050-69



**TECH-TOOL PLASTICS, INC.**

7800 Skyline Park Drive • Fort Worth, Texas 76108 • [www.tech-tool.com](http://www.tech-tool.com)

# Eurocopter Model AS350, 355



## Window Features

### Fwd. Cabin Comfort Windows

Tech-Tool's Fwd. Cabin Comfort Windows are completely "Clear View". There are no visual obstructions from the usual upper painted area and lower opaque arm rest, allowing improved viewing from passenger seating.

### Reverse Slide Camera Window

Tech-Tool's Reverse Slide Camera Window allows ready access for aft passenger area photography. Unlike others, this camera window provides a large opening for easy maneuverability. Slide mechanism is located on the inside and eliminates air noise and vibration.

### ❶ Fwd. Cabin Comfort Window

Part Number	Replaces OEM No.
3501CC-2025-3 L/H	Tech-Tool Design
3501CC-2025-4 R/H	

### ❷ Fwd. Cabin Comfort Window with Slide

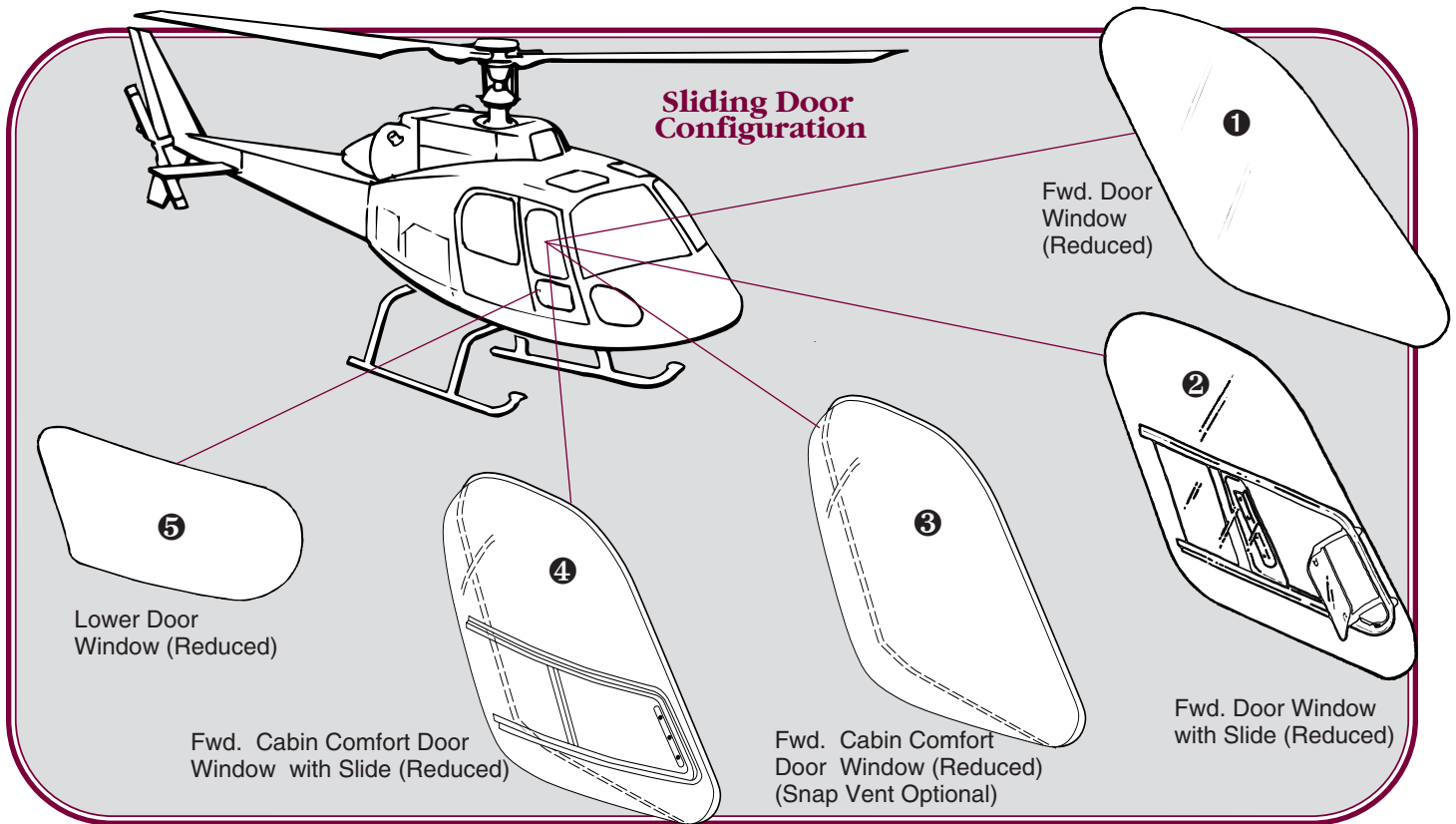
Part Number	Replaces OEM No.
3501CC-2025-5 L/H	Tech-Tool Design
3501CC-2025-6 R/H	

### ❸ Reverse Slide Camera Window

Part Number	Replaces OEM No.
3501-2035-1 L/H	Tech-Tool Design
3501-2035-2 R/H	

## Replacement Windows for the Helicopter World

# Eurocopter Model AS350, 355



**1 Fwd. Door Window (Reduced)**  
Part Number | Replaces OEM No.

3501-2029-1	L/H	350A25-0040-30
3501-2029-2	R/H	350A25-0040-31

**2 Fwd. Door Window with Slide (Reduced)**  
Part Number | Replaces OEM No.

3501-2030-1	L/H	704A41-512-008,044 AP350-001-1 040-11403-990
3501-2030-2	R/H	704A41-512-009,043 AP350-001-2 040-11404-990

**3 Fwd. Cabin Comfort Door Window (Reduced, Snap Vent Optional)**  
Part Number | Replaces OEM No.

3501CC-2030-3	L/H	Tech-Tool Design
3501CC-2030-4	R/H	

**4 Fwd. Cabin Comfort Door Window with Slide (Reduced)**  
Part Number | Replaces OEM No.

3501CC-2030-5	L/H	Tech-Tool Design
3501CC-2030-6	R/H	

**5 Lower Door Window (Reduced)**  
Part Number | Replaces OEM No.

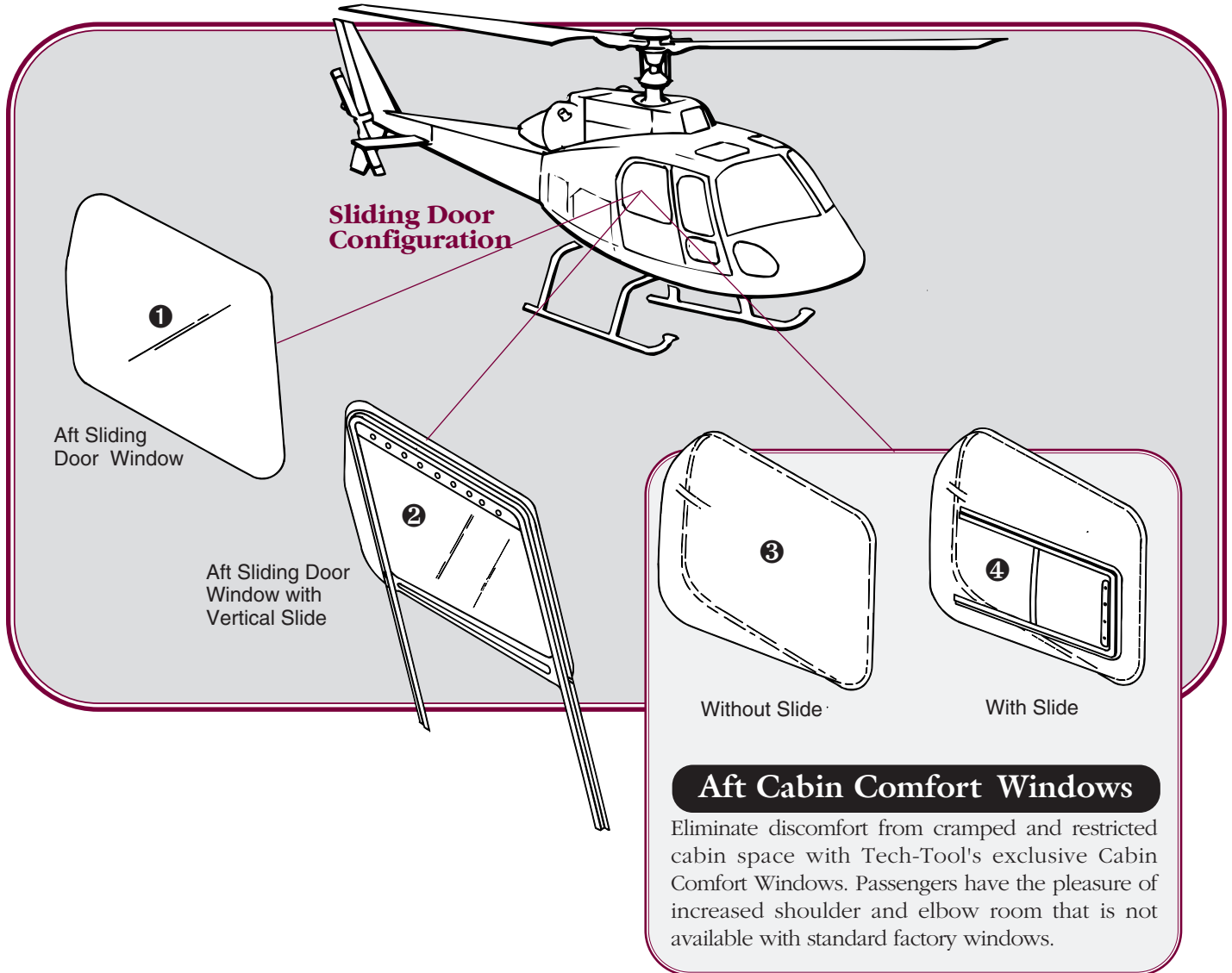
3501-2031-1	L/H	350A25-0040-47
3501-2031-1	R/H	350A25-0040-47



**TECH-TOOL PLASTICS, INC.**

7800 Skyline Park Drive • Fort Worth, Texas 76108 • www.tech-tool.com

# Eurocopter Model AS350, 355



**1 Aft Sliding Door Window**

Part Number		Replaces OEM No.
3501-2032-1	L/H	350A25-0030-32 704A41-512-046
3501-2032-2	R/H	350A25-0030-33 704A41-512-047

**2 Aft Sliding Door Window with Vertical Slide**

Part Number		Replaces OEM No.
3501-2038-1	L/H	Tech-Tool Design
3501-2038-2	R/H	

**3 Aft Sliding Door Cabin Comfort Window**

Part Number		Replaces OEM No.
3501CC-2032-3	L/H	Tech-Tool Design
3501CC-2032-4	R/H	

**4 Aft Sliding Door Cabin Comfort Window with Slide**

Part Number		Replaces OEM No.
3501CC-2032-5	L/H	Tech-Tool Design
3501CC-2032-6	R/H	

**Replacement Windows for the Helicopter World**